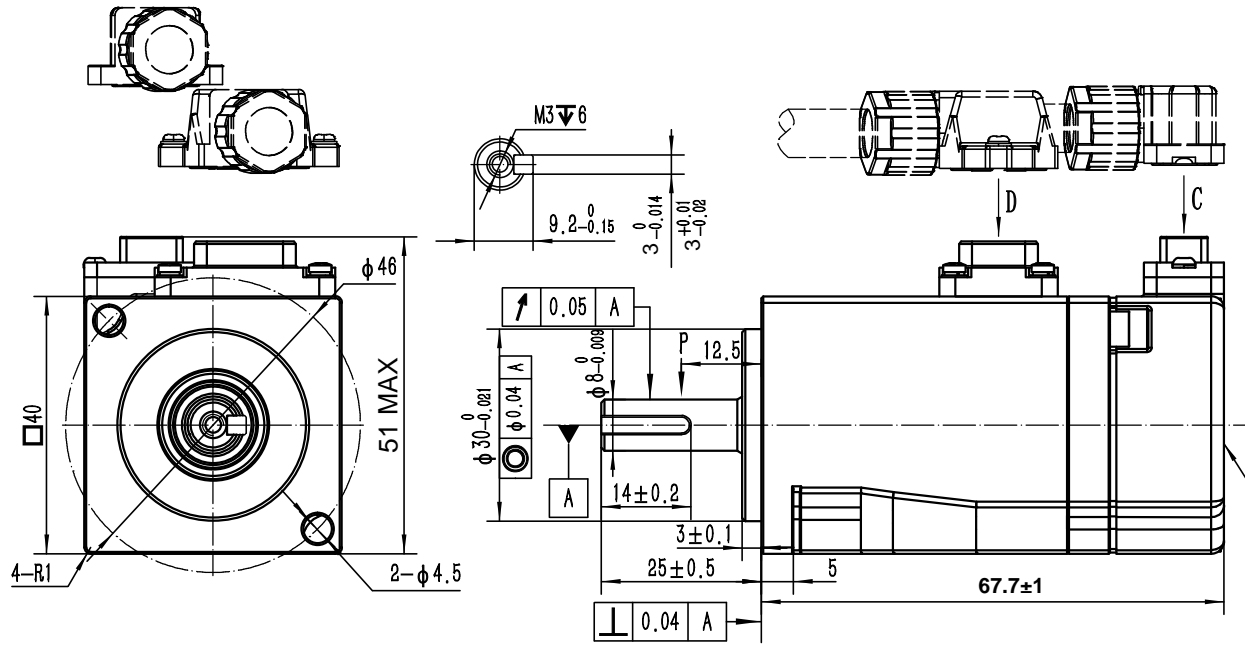


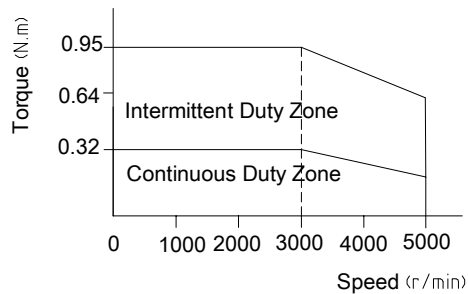
Rated Voltage (Vac)	220
Rated Power (w)	100
Rated Torque (N.m)	0.32
Peak Torque (N.m)	0.95
Rated Speed (rpm)	3000
Peak Speed (rpm)	5000
Rated Current (Amp)	0.92
Peak Current (Amp)	2.85
Torque Const (N.m/Amp)	0.38
Back EMF Const (V/krpm)	23.13
Resistance (Ω)	17.71
Inductance (mH)	14.26
Inertia (kg*m ² *10 ⁻⁴)	0.062
Poles	10
Encoder type	23bit magnetic
IP rating	IP67
Mass (Kg)	0.38



Wiring details of Power cable connector						
Pos	1	2	3	4	A	B
Signal	U	V	W	PE	0V	24V
Color	black	white	red	Yel/Gre	blue	blue

Wiring details of encoder cable connector							
Pos	1	2	3	4	5	6	7
Signal	PE	5V	0V	SD+	SD-	Bat+	Bat-
Color	shield	red	black	blue	yellow	brown	white

The curve of torque-speed



Leadshine Technology Co.,Ltd

ELM1H-0100MA40F
40mm,high inertia,100w servo motor
23bit magnetic encoder, no brake