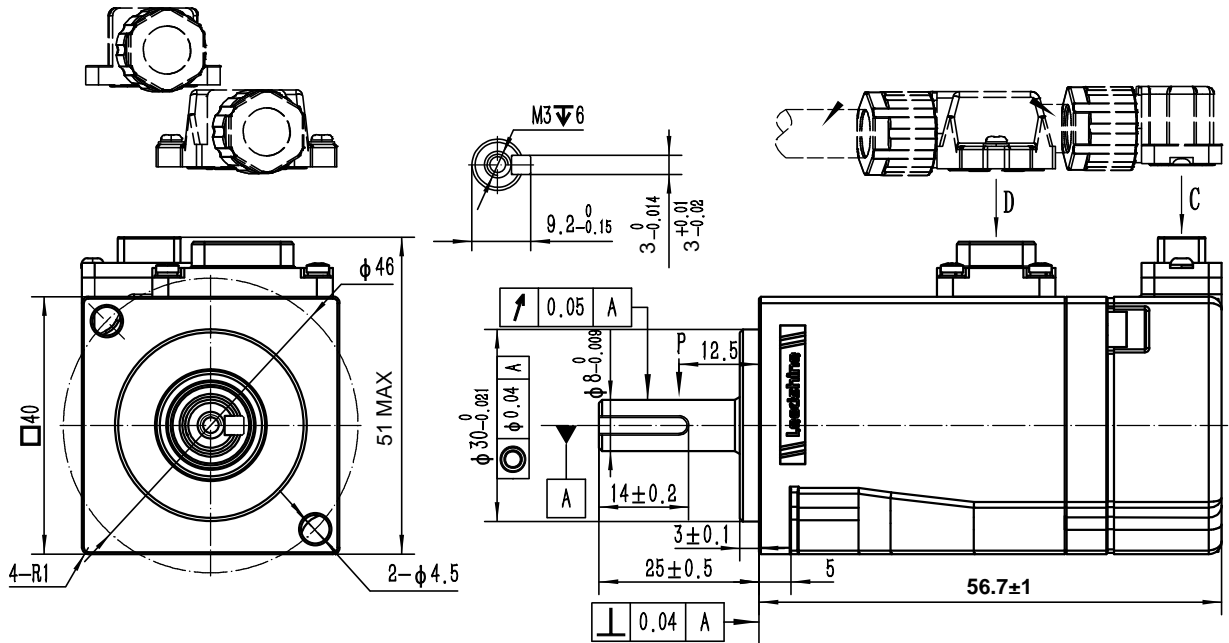


| | |
|---|-----------------------|
| Rated Voltage (Vac) | 220 |
| Rated Power (w) | 50 |
| Rated Torque (N.m) | 0.16 |
| Peak Torque (N.m) | 0.48 |
| Rated Speed (rpm) | 3000 |
| Peak Speed (rpm) | 5000 |
| Rated Current (Amp) | 0.93 |
| Peak Current (Amp) | 2.88 |
| Torque Const (N.m/Amp) | 0.2 |
| Back EMF Const (V/krpm) | 12.35 |
| Resistance (Ω) | 11.79 |
| Inductance (mH) | 10.25 |
| Inertia ($\text{kg}\cdot\text{m}^2\cdot 10^{-4}$) | 0.036 |
| Poles | 10 |
| Encoder type | 23bit magnetic |
| IP rating | IP67 |
| Mass (Kg) | 0.28 |

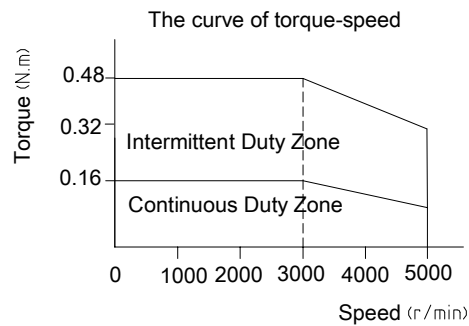


D

| Wiring details of Power cable connector | | | | | | |
|---|-------|-------|-----|---------|----|----|
| Pos | 1 | 2 | 3 | 4 | -- | -- |
| Signal | U | V | W | PE | -- | -- |
| Color | black | white | red | Yel/Gre | -- | -- |

C

| Wiring details of encoder cable connector | | | | | | | |
|---|--------|-----|-------|------|--------|-------|-------|
| Pos | 1 | 2 | 3 | 4 | 5 | 6 | 7 |
| Signal | PE | 5V | 0V | SD+ | SD- | Bat+ | Bat- |
| Color | shield | red | black | blue | yellow | brown | white |



Leadshine Technology Co.,Ltd

ELM1H-0050MA40F
 40mm,high inertia,50w servo motor
 23bit magnetic encoder, no brake