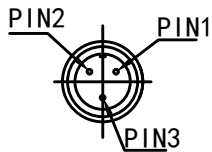
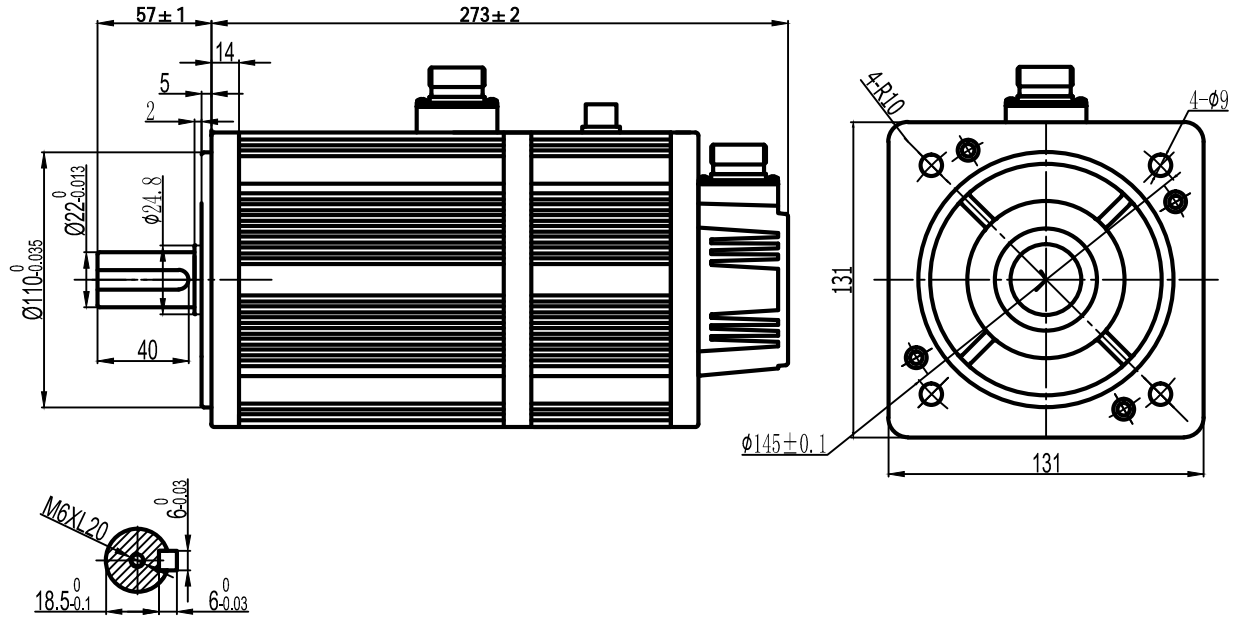
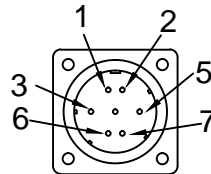


Rated Voltage (Vac)	200-220
Rated Power (w)	2000
Rated Torque (N.m)	7.7
Peak Torque (N.m)	22
Rated Speed (rpm)	2500
Peak Speed (rpm)	2800
Rated Current (Arms)	7.5
Peak Current (Arms)	22
Torque Const (N.m/Arms)	1.03
Back EMF Const (V/krpm)	68
Resistance (Ω)	1.01\pm10%
Inductance (mH)	2.94\pm20%
Inertia ($\text{kg}\cdot\text{m}^2\cdot 10^{-4}$)	15.3
Poles	8
Encoder type	23 bit absolute
IP rating	IP65
Mass (Kg)	11

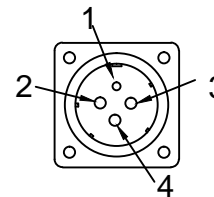


Braker Connection	
1	2
0V	24V



Wiring Order of Absolute Encoder Connector							
Position	1	2	3	4	5	6	7
Signal	PE	5V	0V	SD+	SD-	BAT+	BAT-
Color							

Motor Side Connector			
Connector	Winding Connector	Encoder Connector	Brake Connector
Part Num	YD28J4Z	YD28J7Z	XS12J3Y



Winding Connection				
Position	1	2	3	4
Signal	PE	U	V	W
Color				

Driver Side Connector			
Connector	Winding Connector	Encoder Connector	Brake Connector
Part Num	LS-YDA28K4TS-01	LS-YDA28K7TS-01	XS12K3P

Leadshine Technology Co .Ltd

ELM2M-2000LB130E-H

130mm,middle inertia,2000w servo motor
23bit absolute encoder, with brake