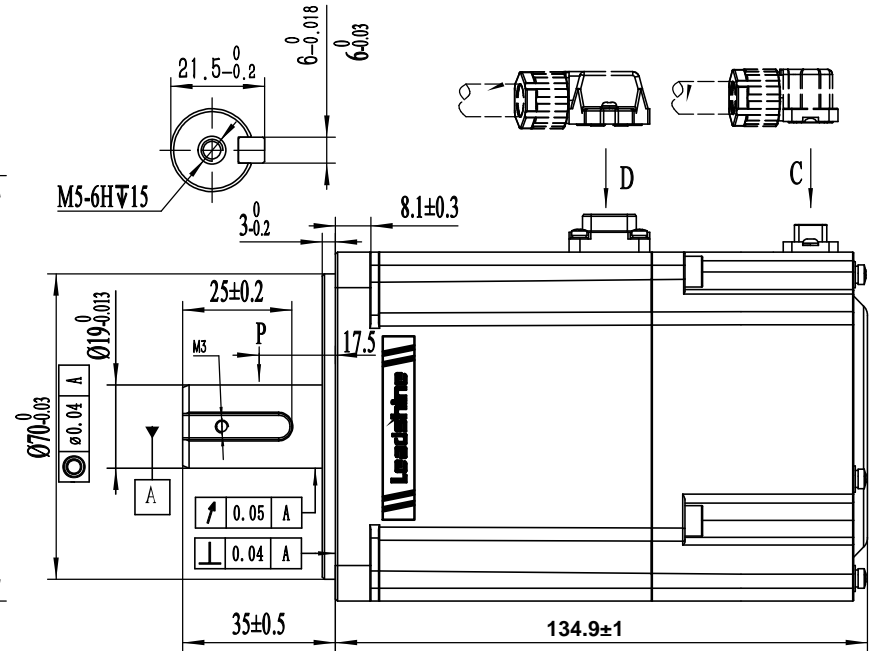
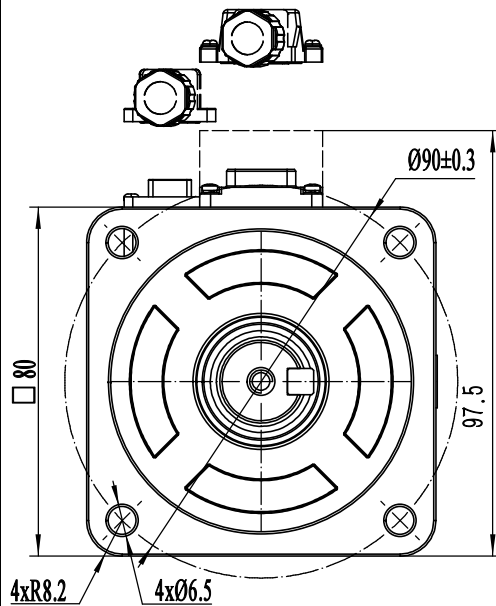
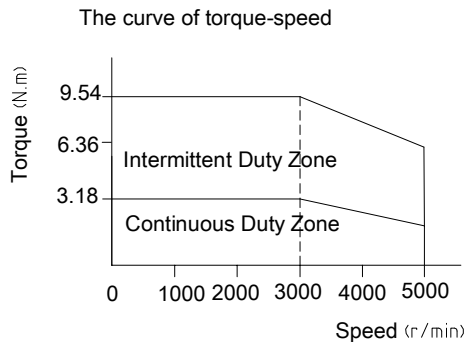


Rated Voltage (Vac)	220
Rated Power (w)	1000
Rated Torque (N.m)	3.18
Peak Torque (N.m)	9.54
Rated Speed (rpm)	3000
Peak Speed (rpm)	5000
Rated Current (Amp)	5.7
Peak Current (Amp)	17.7
Torque Const (N.m/Amp)	0.634
Back EMF Const (V/krpm)	38.3
Resistance (Ω)	1.1±10%
Inductance (mH)	5.6± 20%
Inertia (kg*m ² *10 ⁻⁴)	2.15
Poles	10
Encoder type	23bit optical
IP rating	IP67
Mass (Kg)	3.4



Wiring details of Power cable connector						
Pos	1	2	3	4	A	B
Signal	U	V	W	PE	0V	24V
Color	black	white	red	Yel/Gre	blue	blue

Wiring details of encoder cable connector							
Pos	1	2	3	4	5	6	7
Signal	PE	5V	0V	SD+	SD-	Bat+	Bat-
Color	shield	red	black	blue	yellow	brown	white



Brake Specification	
Capacity	11.5w
Rated Voltage	24vdc±10%
Holding Torque	>=3.2Nm
Braking time	<=60ms
Releasing time	<=40ms

Leadshine Technology Co.,Ltd

ELM2H-1000LA80E
 80mm, high inertia, 1000 w servo motor
 23bit optical encoder, with brake