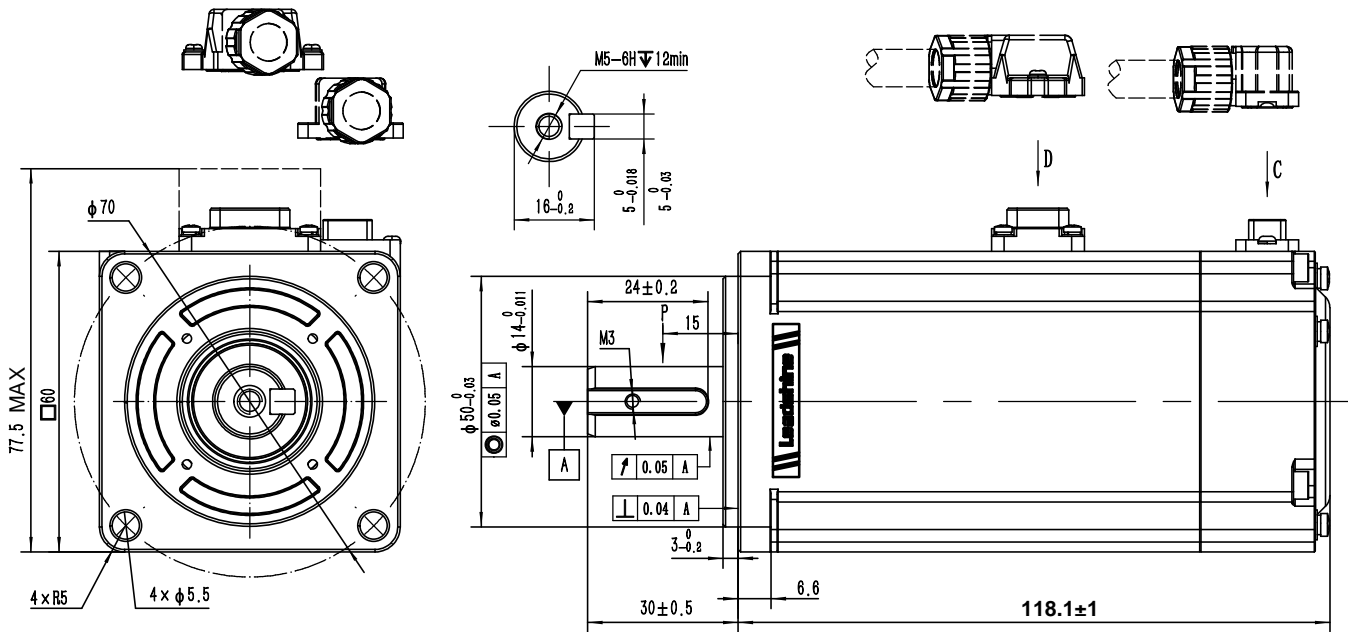


Rated Voltage (Vac)	220
Rated Power (w)	400
Rated Torque (N.m)	1.27
Peak Torque (N.m)	3.81
Rated Speed (rpm)	3000
Peak Speed (rpm)	5000
Rated Current (Amp)	2.1
Peak Current (Amp)	6.5
Torque Const (N.m/Amp)	0.645
Back EMF Const (V/krpm)	39
Resistance (Ω)	5.7\pm10%
Inductance (mH)	12\pm 20%
Inertia (kg*m ² *10 ⁻⁴)	0.58
Poles	10
Encoder type	23bit optical
IP rating	IP67
Mass (Kg)	1.55

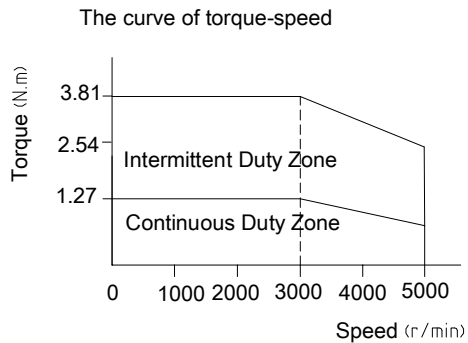


Wiring details of Power cable connector

Pos	1	2	3	4	A	B
Signal	U	V	W	PE	0V	24V
Color	black	white	red	Yel/Gre	blue	blue

Wiring details of encoder cable connector

Pos	1	2	3	4	5	6	7
Signal	PE	5V	0V	SD+	SD-	Bat+	Bat-
Color	shield	red	black	blue	yellow	brown	white



Brake Specification

Capacity	8.3w
Rated Voltage	24vdc \pm 10%
Holding Torque	\geq 1.5Nm
Braking time	\leq 50ms
Releasing time	\leq 20ms

Leadshine Technology Co.,Ltd

ELM2H-0400LA60E
60mm, high inertia, 400 w servo motor
23bit optical encoder, with brake