

# EL7-EC Series AC Servo Drive

## User Manual

---



## Foreword

Thank you for purchasing Leadshine EL7-EC series AC Servo drives. This manual will provide information on the EL7-EC series servo products regarding product safety & specifications, installations & wiring, tuning & problem diagnostics.







*Please contact us at [tech@leadshine.com](mailto:tech@leadshine.com) if you need further technical support.*

Incorrect operation may cause unexpected accident, please read this manual carefully before using product.

- ✧ We reserve the right to modify equipment and documentation without prior notice.
- ✧ We won't undertake any responsibility with any customer's modification of product and the warranty of product will be canceled at the same time.

### Safety Precautions

Please read the safety instructions carefully before using the products and pay attention to the safety signs.

	Might incur death or serious injury
	Might cause injury to operating personals or damage to equipment
	Might cause damage to equipment
	High voltage. Might cause electrocution to personals in contact
	Hot surface. Do not touch
	Protective Earth

### Safety instructions

 <b>Warning</b>
<ul style="list-style-type: none"> <li>✓ The design of the product is not to be used in mechanical system which may incur health hazard.</li> <li>✓ Users should be aware of the product safety precautions during design and installations of the equipment to prevent any unwanted accident.</li> </ul>

### Upon receiving

 <b>Caution</b>
<ul style="list-style-type: none"> <li>✓ The use of damaged or faulty product(s) is prohibited.</li> <li>✓ Please refer to item checklist. If the labels don't match, please do not install.</li> </ul>

## Transportation



### Caution

- ✓ Please provide storage and transportation under protected conditions.
- ✓ Do not stack the products too high up to prevent toppling.
- ✓ The product should be packaged properly during transportation,
- ✓ Do not hold the product by the cable, motor shaft or encoder while transporting it.
- ✓ The product should be protected from external forces and shock.

## Installation



### Caution

#### ***Servo drive and Motor:***

- ✓ Do not install around combustibles to prevent fire hazard.
- ✓ Avoid vibration and impact.
- ✓ Do not install products that are damaged or incomplete.

#### ***Servo drive:***

- ✓ Please install in electrical cabinet with sufficient protection from outside elements.
- ✓ Reserve sufficient gap as per the installation guide.
- ✓ Make sure to have good heat sinking.
- ✓ Avoid dust, corrosive gas, conductive object or fluid and combustibles.

#### ***Servo Motor:***

- ✓ Make sure installation is tight to prevent it from loosening.
- ✓ Prevent fluid from leaking into motor and encoder.
- ✓ Protect motor from impact to avoid damaging encoder.
- ✓ Motor shaft should not bear the load beyond the limits as specified.

## Wiring



### Warning

- ✓ Participate installation personals should have sufficient training in product installation safety.
- ✓ Please power off and wait for 10 minutes to make sure a full discharge of electricity.
- ✓ Servo drive and motor must be connected to ground.
- ✓ Connect the cables only after servo drive motor installed correctly
- ✓ Make sure the wires are properly managed and insulation layer is not torn to prevent electrocution.



### Caution

- ✓ Wiring must be correctly connected to prevent damage to product(s)
- ✓ Servo motor U, V, W terminal should be connected correctly and NOT connected directly to an AC power supply.
- ✓ Capacitor, inductor or filter shouldn't be installed between servo motor and servo drive.
- ✓ Connecting wires or any non-heat resistant components should be put near to heat sink of the servo drive or motor.
- ✓ The flyback diode which is connected in parallel to output signal DC relay must not be connected in reverse.

## Tuning and running



### Caution

- ✓ Make sure the wirings of servo drive and servo motor are installed and fixed properly before powering on.
- ✓ On the first time tuning of the product, it is recommended to run unloaded until all the parameter settings are confirmed to prevent any damage to the product or machine.

## Usage



### Caution

- ✓ Please install an emergency stop button on machine to stop operation immediately if there is an accident.
- ✓ Please make sure machine is stopped before clearing an alarm.
- ✓ Servo drive must be matched with specified motor.
- ✓ Frequent restart of the servo system might incur damage to the product.
- ✓ Servo drive and motor will be hot to touch shortly after power off. Please be careful.
- ✓ Modification(s) to servo system is prohibited.

## Error Handling



### Warning

- ✓ Please wait for 5 minutes after powering off for the electricity to be fully discharged before uninstalling the cables.
- ✓ Participate maintenance personals should have sufficient training in maintenance and operation of this product series.



### Caution

- ✓ Please handle the error before clearing an alarm.
- ✓ Keep away from machine after a restart upon alarm. Mechanical axis might suddenly move. Such hazard should be prevented during the utilization of the product.

## Model Selection



### Caution

- ✓ Rated torque of the servo motor should be higher than continuous designated torque when fully loaded.
- ✓ Load inertia ratio of the motor should be lower or equals to recommended value for specified models
- ✓ Servo drive must be matched with specified motor.

# Table of Contents

<b>CHAPTER 1 INTRODUCTION .....</b>	<b>10</b>
1.1 PRODUCT INTRODUCTION .....	10
1.2 MODEL NUMBER STRUCTURE .....	11
1.3 MATCHING SERVO DRIVE TO SERVO MOTOR.....	12
1.4 DRIVER TECHNICAL SPECIFICATION .....	13
1.5 DRIVER PORTS AND CONNECTORS.....	15
1.6 MOTOR PORTS AND CONNECTORS .....	17
<b>CHAPTER 2 INSTALLATION &amp; WIRING .....</b>	<b>18</b>
2.1 SERVO DRIVE INSTALLATION .....	18
2.1.1 Servo drive installation environment.....	18
2.1.2 Servo Drive Dimension .....	18
2.2 SERVO MOTOR INSTALLATION .....	21
2.2.1 Installation conditions .....	21
2.2.2 Precautions during installation .....	21
2.3 EL7-EC WIRING DIAGRAM .....	23
2.4 SERVO DRIVE PORTS .....	26
2.4.1 X1 Main power supply.....	27
2.4.2 Regenerative resistor selection and connections .....	29
2.4.2 Wire Gauge for Main Power Supply .....	34
2.4.3 Wiring connections for EL7-EC series servo drives.....	35
2.4.4 Connecting motor power cable to servo drive.....	37
2.5 HOLDING BRAKE CONNECTION.....	40
2.6 CN2 ENCODER .....	43
2.7 USB MINI COMMUNICATION PORT .....	45
2.8 CN3/CN4 ETHERCAT COMMUNICATION PORT .....	46
2.9 CN6 SAFE TORQUE OFF (STO) PORT .....	47
2.10 CN1 I/O SIGNAL PORT.....	49
2.10.1 Selection of I/O signal cable .....	49
2.10.2 Common input circuit.....	50
2.10.3 Common output circuit.....	51
2.10.4 Probe input circuit.....	52
2.10.5 DI signal function configuration.....	52
2.10.6 DO signal function configuration .....	54
2.11 CN5 FREQUENCY DIVIDER PULSE OUTPUT PORT .....	55
2.12 MEASURES AGAINST ELECTROMAGNETIC INTERFERENCE .....	56
2.12.1 Grounding connection and other anti-interference wiring connections.....	57
2.12.2 Using line filter .....	57
<b>CHAPTER 3 PARAMETER .....</b>	<b>59</b>
3.1 PARAMETER LIST .....	59
3.1.1 Servo drive parameters .....	59
3.1.2 Manufacturer parameters.....	65
3.1.3 Motion parameters starting with object dictionary 6000 .....	67
3.2 PARAMETER FUNCTION.....	70
3.2.1 <b>【Class 0】</b> Basic Settings .....	71
3.2.2 <b>【Class 1】</b> Gain Adjustments .....	78
3.2.3 <b>【Class 2】</b> Vibration Suppression .....	86
3.2.4 <b>【Class 3】</b> Velocity/ Torque Control.....	91
3.2.5 <b>【Class 4】</b> I/O Interface Setting.....	98
3.2.6 <b>【Class 5】</b> Extension settings.....	103
3.2.7 <b>【Class 6】</b> Other settings.....	109
3.3 402 PARAMETERS FUNCTION.....	114

<b>CHAPTER 4 SERVO DRIVE OPERATION.....</b>	<b>132</b>
4.1 GET STARTED WITH DRIVER OPERATION.....	132
4.1.1 Checklist before operation .....	132
4.1.2 Power On .....	132
4.1.3 Trial Run .....	132
4.1.4 Motor rotational direction settings.....	133
4.1.5 Holding Brake Settings .....	133
4.1.6 Servo Running .....	134
4.1.7 Servo stop.....	136
4.2 ELECTRONIC GEAR RATIO .....	148
4.3 FRONT PANEL .....	149
4.4 PANEL DISPLAY AND OPERATION.....	150
4.4.1 Panel Operation .....	150
4.4.2 Data Monitoring Mode .....	151
4.4 PARAMETER SAVING USING FRONT PANEL.....	161
4.5 AUXILIARY FUNCTIONS .....	162
<b>CHAPTER 5 CONTROL MODE .....</b>	<b>167</b>
5.1 EL7-EC MOTION CONTROL STEP-BY-STEP .....	167
5.2 CIA 402 STATE MACHINE .....	168
5.3 DRIVER CONTROL MODE SETTING .....	170
5.3.1 Supported control mode (6502h) .....	170
5.3.2 Operational mode setting (6060h) and Operational mode display (6061h) .....	170
5.4 COMMON FUNCTIONS FOR ALL MODES.....	171
5.4.1 Digital input setting and status display.....	171
5.4.2 Digital output setting and control operation method.....	171
5.4.3 Motor Rotational Direction .....	171
5.4.4 Stop Settings.....	172
5.4.5 Position mode – Electronic Gear.....	172
5.4.6 Position Limits .....	173
5.4.7 Control Word .....	174
5.4.7 Status Word.....	175
5.4.8 Synchronous cycle time setting .....	176
5.4.9 Driver Enabling.....	176
5.5 POSITION MODE (CSP、PP、HM) .....	177
5.5.1 Common Functions of Position Mode.....	177
5.5.2 Cyclic Synchronous Position Mode (CSP).....	178
5.5.3 Protocol Position Mode (PP).....	180
5.5.4 Homing mode (HM).....	183
5.6 VELOCITY CONTROL MODE (CSV、PV) .....	208
5.6.1 Common Functions of Velocity Control.....	208
5.6.2 Cyclic Synchronous Velocity Mode (CSV) .....	209
5.6.3 Profile Velocity Mode (PV).....	210
5.7 TORQUE MODE (CST、PT) .....	212
5.7.1 Common Functions of Torque Mode .....	212
5.7.2 Cyclic Synchronous Torque Mode (CST).....	213
5.7.3 Profile Torque Mode (PT).....	214
<b>CHAPTER 6 APPLICATION.....</b>	<b>217</b>
6.1 GAIN ADJUSTMENT.....	217
6.2 INERTIA MEASURING FUNCTION .....	219
6.2.1 Online inertia determination.....	219
6.2.2 Offline inertia determination.....	219
6.2.3 Auxiliary function to determine inertia on front panel.....	220
6.2.4 Inertia measuring using Motion Studio.....	221
6.3 AUTO GAIN ADJUSTMENT .....	223

6.4	MANUAL GAIN ADJUSTMENT.....	226
6.5	GAIN SWITCHING .....	228
6.6	FEEDFORWARD GAIN .....	233
6.6.1	<i>Velocity feedforward</i> .....	233
6.6.2	<i>Velocity feedforward application</i> .....	234
6.6.3	<i>Torque feedforward</i> .....	234
6.6.4	<i>Torque feedforward application</i> .....	235
6.7	MODEL FOLLOWING CONTROL.....	236
6.8	FRICTION COMPENSATION FUNCTION .....	237
6.9	PARAMETERS ADJUSTMENT UNDER DIFFERENT CONTROL MODES .....	238
6.9.1	<i>Position control mode</i> .....	238
6.9.2	<i>Velocity control mode</i> .....	239
6.9.3	<i>Torque control mode</i> .....	240
6.10	SAFETY FUNCTIONS.....	240
6.10.1	<i>Emergency stop function</i> .....	242
6.11	VIBRATION SUPPRESSION .....	242
6.11.1	<i>Mechanical resonance suppression</i> .....	242
6.11.2	<i>End vibration suppression</i> .....	245
6.11.3	<i>Mechanical properties analysis</i> .....	246
6.12	MULTITURN ABSOLUTE ENCODER .....	247
6.12.1	<i>Parameters setting</i> .....	247
6.12.2	<i>Read absolute position</i> .....	247
6.12.3	<i>Absolute Encoder Related Alarm</i> .....	252
6.13	PROBE.....	253
6.13.1	<i>Probe function</i> .....	254
6.13.2	<i>Signal Input of EXT1 and EXT2</i> .....	255
6.13.3	<i>Probe Control Word 60B8h</i> .....	255
6.13.4	<i>Probe Status Word 60B9h</i> .....	256
6.13.6	<i>Latch Position Register</i> .....	256
6.13.7	<i>Latch Counter Register</i> .....	257
6.13.8	<i>Probe mode</i> .....	257
6.14	OTHER FUNCTIONS .....	258
6.14.1	<i>Functions under Position mode</i> .....	258
6.14.2	<i>Functions under velocity mode</i> .....	262
6.14.3	<i>Functions under torque mode</i> .....	264
<b>CHAPTER 7 ETHERCAT COMMUNICATION .....</b>		<b>265</b>
7.1	ETHERCAT PRINCIPLE FUNCTION.....	265
7.2	SYNCHRONOUS MODE.....	266
7.2.1	<i>Free Running Mode</i> .....	266
7.2.2	<i>Distributed clock synchronization mode</i> .....	266
7.3	ETHERCAT STATE MACHINE.....	267
7.4	CANOPEN OVER ETHERCAT (COE) .....	268
7.4.1	<i>Network structure of EL7-EC</i> .....	268
7.4.2	<i>Object dictionary</i> .....	269
7.4.3	<i>Service Data Object (SDO)</i> .....	269
7.4.4	<i>Process Data Object (PDO)</i> .....	269
<b>CHAPTER 8 WARNING AND ALARM .....</b>		<b>272</b>
8.1	SERVO DRIVE WARNING.....	272
8.2	SERVO DRIVE ALARM .....	272
8.3	ALARM HANDLING.....	280
8.4	ALARM CLEARING .....	293
8.4.1	<i>Servo Drive Alarm</i> .....	293
8.5	ETHERCAT COMMUNICATION ALARM .....	294
<b>ABOUT US.....</b>		<b>305</b>

## List of abbreviations used in this manual

Abbreviation	Full Form
Bit/S	Bit Per Second
CoE	CANopen Over EtherCAT
IP	Init To Pre-Operation
PI	Pre-Operational To Init
PS	Pre-Operational To Safe-Operational
SP	Safe-Operational To Pre-Operational
SO	Safe-Operational To Operational
OS	Operational To Safe-Operational
OI	Operational To Init
SI	Safe-Operational To Init
VS	Versus
PDO	Process Data Objects
SDO	Service Data Objects
SM	Synchronization Manager
FMMU	Fieldbus Memory Management Unit
h	Hex
U8	Unsigned Char
U16	Unsigned Short
U32	Unsigned Long
I8	signed Char
I16	signed Short
I32	signed Long
RW	Read Write
RO	Read Only
WO	Write Only
Var.	Variable
ETG	EtherCAT Technology Group
ESC	EtherCAT Slave Controller
ESM	EtherCAT State Machine
DI	Digital Input
DO	Digital Output
AI	Analog Input
AO	Analog Output
PP	Profile Position Mode
PV	Profile Velocity Mode
PT	Profile Torque Mode
HM	Homing Mode
CSP	Cyclic Synchronous Position Mode
CSV	Cyclic Synchronous Velocity Mode
CST	Cyclic Synchronous Torque Mode
Uin	--
Uin/S	--
Uin/S <sup>2</sup>	--
P	Pulse
S	Second
RPM	Revolutions Per Minute



---

## Chapter 1 Introduction

### 1.1 Product Introduction

EL7-EC Series AC servo products are high performance AC digital servo which is designed for position/velocity/torque high accurate control with power rating ranging up to 2kW which provides a perfect solution for different applications with easy tuning process. Based on the ETG COE + CANopen DSP402 protocol, it can be seamlessly connected to controllers/drives that support this standard protocol.

EL7-EC series AC servo drives are using the latest Digital Signal Processing (DSP) chip and Intelligent Power Module (IPM) with compact components integration and great reliability. Using the best PID calculation for Pulse Width Modulation (PWM) control, our EL7-EC series products are the one to beat in this product category.

In comparison to conventional pulse controlled servo drives, our EL7-EC provides advantages as listed below.

- **Lengthen communication range and lower electromagnetic interference**  
Due to the reliance of pulse command, pulse controlled servo drives could be easily disrupted by electromagnetic interferences. EtherCAT communication protocol provides fault detections limitations and error handling that makes communication more reliable over long distances.
- **Greater motion control**  
Trajectory generation can be done within the driver under non-cyclic synchronous mode. Controller only needs to deliver target position, velocity and acceleration commands to the driver. Drivers can then achieve greater control by applying feedforward to the commands.
- **Simplify complex wiring work**  
Using EtherCAT communication protocols, the connections between master device and slave stations can be realized using only LAN cables.
- **Reduce cost by lowering the requirement for more ports**  
Multiple axes control can be realized without requirement for more ports or pulse module on the master device/controller. Only a network port is needed to chain the axis controller (drivers) together in series.

## 1.2 Model Number Structure

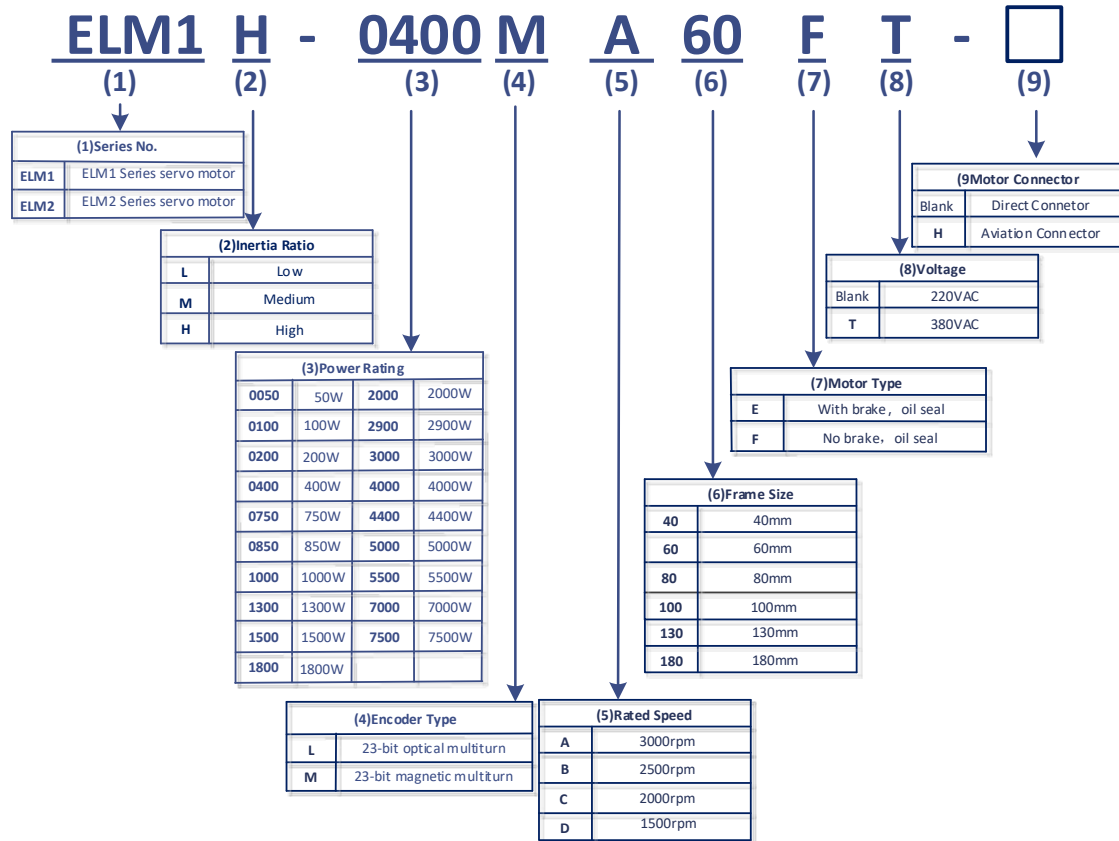
### Servo Drive

# EL7-EC 750 F T

①      ②      ③      ④      ⑤

No.	Description	
①	Series No.	EL7: Servo drive series
②	Command source	RS: Pulse + direction/Modbus RTU/Analogue EC: EtherCAT
③	Power rating	400: 400W      750: 750W      1000:1000W 1500: 1500W      2000: 2000W      3000:3000W 4400:4400W      5500:5500W      7500:7500W
④	Type	F: Full functions
⑤	Main power input:	<i>Blank</i> : 220VAC(1 or 3-phase) T: 380VAC(3-phase)



**Servo motor**


### 1.3 Matching servo drive to servo motor

The table below is the recommended servo motor matching to driver in term of power rating. The power rating of the motor should be kept below that of the servo drive.

Power rating(W)		50	100	200	400	750	850	1000	1300	1500	1800	2000
Connector	Direct											
	Aviation											
Frame size (mm)	40											
	60											
	80											
	130											
Rotational speed (rpm)	1500											
	2500											
	3000											

\*All motor models come with optional holding brake.

\*\*All matching motors for EL7 220V series are with high inertia and 23-bit optical encoder.

\*\*\*Motor models with 23-bit magnetic encoder coming soon.

## 1.4 Driver Technical Specification

### EL7-EC 220V Models

EL7-ECF series	EL7-EC400F	EL7-EC750F	EL7-EC1000F	EL7-EC1500F	EL7-EC2000F
Rated power (W)	400	750	100	1500	2000
Rated Current (Arms)	3.5	5.5	7	9.5	12
Peak Current (Arms)	9.2	16.6	18.7	31.1	36
Size (mm)	40*175*156	50*175*156		80*175*179	
Main Power Supply	Single phase AC 220V, -15%~+10%, 50/60Hz				
Control Circuit Power Supply					

### EL7-EC 380V Models

EL7-ECFT series	EL7-EC750	EL7-EC1000	EL7-EC1500	EL7-EC2000	EL7-EC3000	EL7-EC4400	EL7-EC5500	EL7-EC7500
Rated Power(W)	750	1000	1500	2000	3000	4400	5500	7500
Rated Current (Arms)	2.7	3.5	5.4	8.4	11.9	16.5	20.8	25.7
Peak Current (Arms)	8.6	10.6	14.9	24.8	33.2	38.9	51.6	33.6
Size (mm)	55*175*179			80*175*179		89*250*230		
Main Power Supply	Three phase AC 380V~440V, -15%~+10%, 50/60Hz							
Control Circuit Power Supply	Single phase AC 380V~440V, -15%~+10%, 50/60Hz							

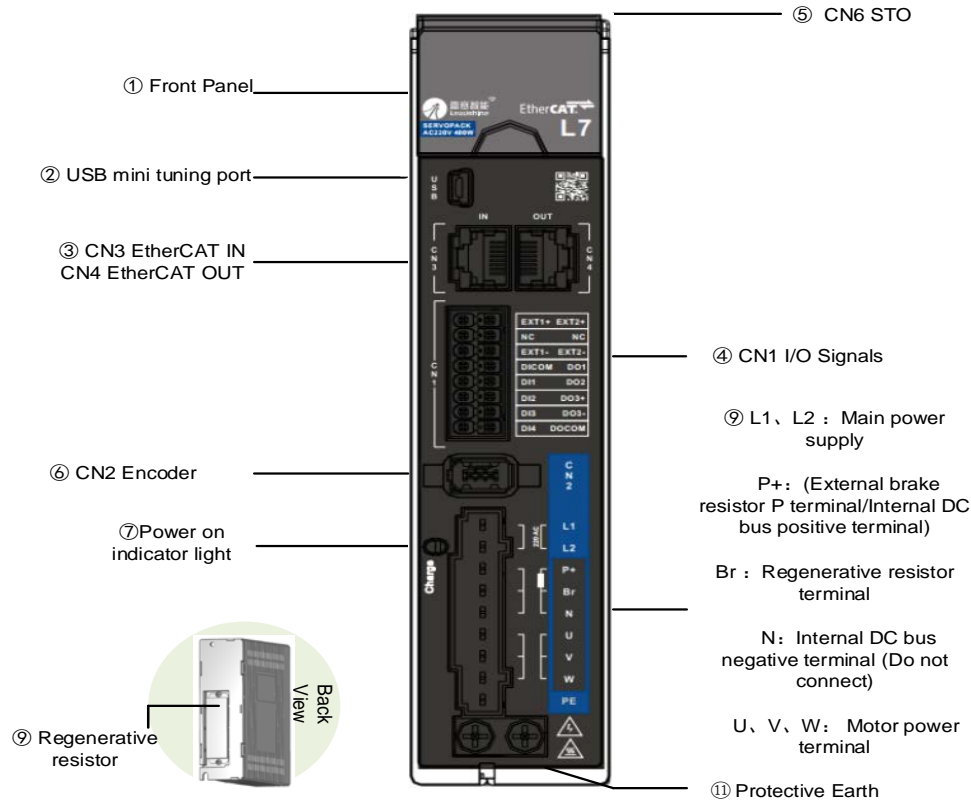
<b>Drive mode</b>		IGBT PWM sinusoidal wave drive	
<b>Control mode</b>	<b>Position</b>	Profile Position Mode (PP)	
		Cyclic Synchronous Position Mode (CSP)	
		Homing Mode (HM)	
	<b>Velocity</b>	Profile Velocity Mode (PV)	
		Cyclic Synchronous Velocity Mode (CSV)	
	<b>Torque</b>	Profile Torque Mode (PT)	
Cyclic Synchronous Torque Mode (CST)			
<b>Encoder Feedback</b>		RS485 protocol: 23-bit multiturn absolute magnetic/optical encoder	
<b>I/O</b>	<b>Digital Input</b>	4 Digital Inputs (Supports NPN and PNP)	
		Configurable input signals under EtherCAT mode:	1. Clear Alarm (A-CLR) 2. Positive limit switch (POT) 3. Negative limit switch (NOT) 4. Homing switch (HOME-SWITCH) 5. Emergency stop (E-Stop)
	<b>Digital Output</b>	3 Digital Outputs (2 single-ended, 1 differential)	
		Configurable output signals under EtherCAT mode:	1. Alarm (ALM) 2. Servo ready (SRDY) 3. External brake off (BRK-OFF) 4. Positioning completed (INP) 5. Velocity at arrival (AT-SPEED) 6. Torque limiting command (TLC) 7. Zero speed position (ZSP) 8. Velocity coincidence (V-COIN) 9. Position command (P-CMD) 10. Velocity limit (V-LIMIT) 11. Velocity command (V-CMD) 12. Servo enabled (SRV-ST) 13. Homing done (HOME-OK)

	<b>Encoder Output</b>	Encoder ABZ differential pulse output
	<b>Probe Input</b>	2 high speed probe inputs: EXT1+/EXT1-, EXT2+/EXT2-
<b>Communication Port</b>	<b>USB mini</b>	Modbus USB2.0 (No need to connect driver to power supply)
	<b>EtherCAT</b>	EtherCAT, Communication up to 128 axes to a host
<b>Software</b>		Driver tuning through <b>Motion Studio</b> Ver. 1.4.x. Parameters tuning in current loop, position loop, velocity loop; Modify I/O signal and motor parameters; Variables(velocity, position deviation, etc.) monitoring using step diagrams
<b>Driver Front Panel</b>		5 push buttons and 8-segments display
<b>Holding brake</b>		Built-in (Supports external brake)
<b>Safety Protection</b>		Overcurrent. Overvoltage. Undervoltage. Overheat. Overload. Overtravel. Single-Phasing. Regenerative resistor error. Position deviation error. Encoder feedback error. Excessive braking rate. EEPROM error
<b>Safe Torque Off (STO) function</b>		Available for all EL7EC-F series products
<b>Environment</b>	<b>Temperature</b>	Storage: -20-80°C (Condensation free); Installation: 0-55°C (Not frozen)
	<b>Humidity</b>	Under 90%RH (Condensation free)
	<b>Altitude</b>	Up to 1000m above sea level
	<b>Vibration</b>	Less than 0.5G (4.9m/s <sup>2</sup> ) 10-60Hz (non-continuous working)
	<b>IP ratings</b>	IP20

## 1.5 Driver ports and connectors

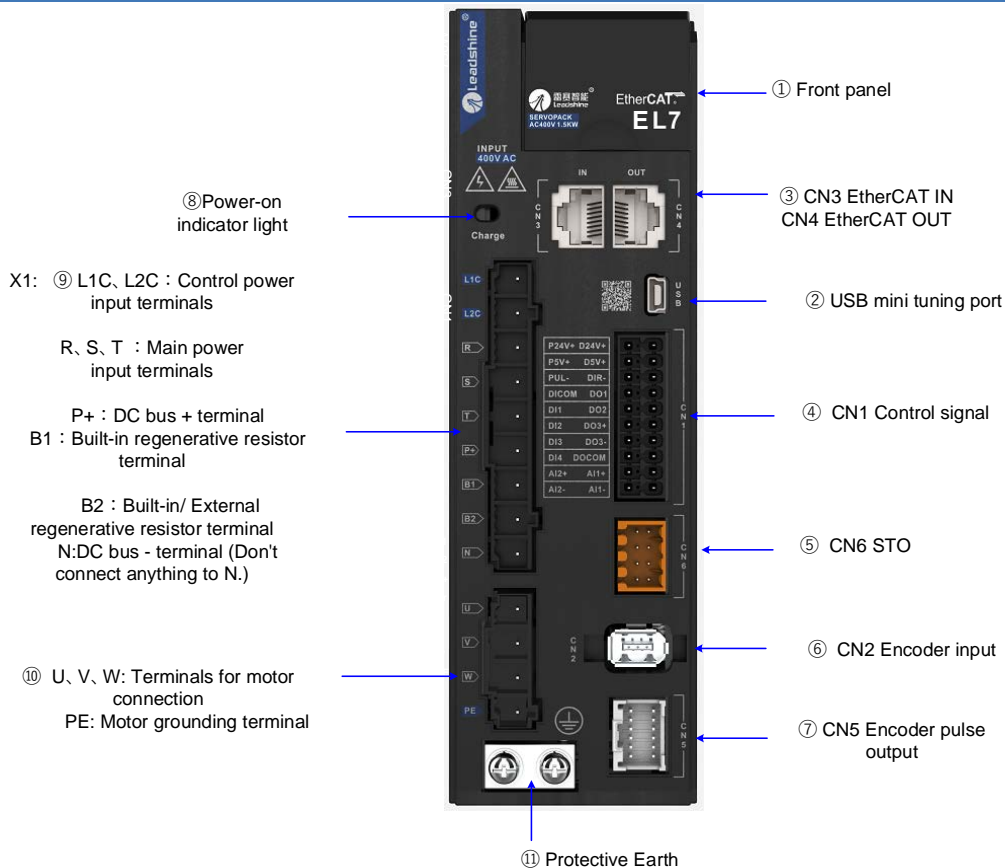
### EL7-EC F Series Servo Drive

### 220V Models



### EL7-ECFT Series Servo Drive

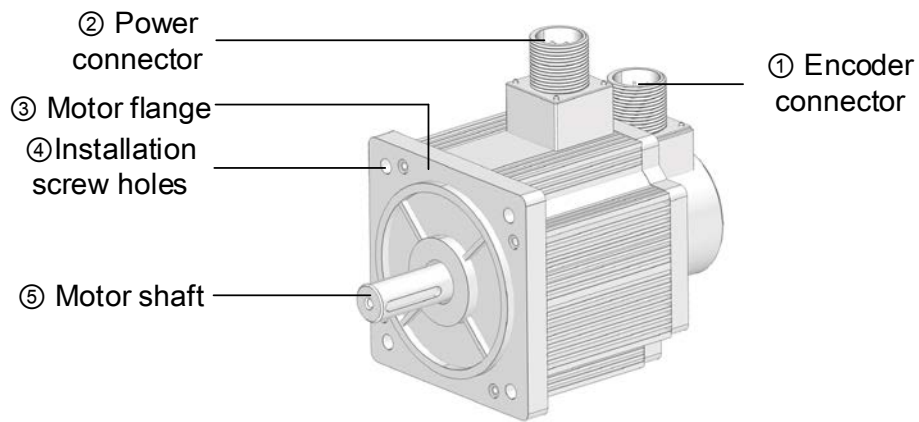
### 380V Models



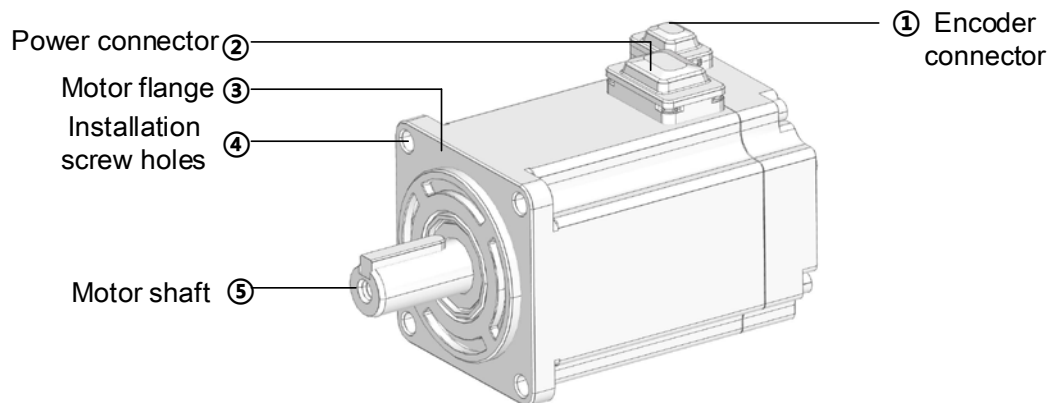
No.	Parts & Connectors	Description
①	Front Panel	Including a LED display and 5 buttons. LED display is used to display servo drive status and parameter settings. 5 buttons: <b>M</b> : To switch between different modes and parameters <b>◀</b> : Switch between value <b>▲</b> : Switch between sub-menus/Increase <b>▼</b> : Switch between sub-menus/Decrease <b>S</b> : Enter
②	USB mini tuning port	Connect to computer for tuning of servo drive. Parameters of the servo drive can be modified without connecting to main power supply.
③	CN1 I/O signal	Probe input signal & other I/O signals terminals
④	CN3 EtherCAT IN/ CN4 EtherCAT OUT	Connect to master device or next/previous slave station
⑤	CN6 STO	Safe Torque Off (STO) port
⑥	CN2 Encoder	Connect to motor encoder
⑦	Power-on indicator light	Lights up when servo drive is connected to main power supply. <i>Please do not touch the power terminal immediately after power off as the capacitor might require some time to discharge.</i>
<b>EL7-EC 220V models</b>		
⑨	L1, L2	Main power supply 220VAC
	P+, Br	Connect to regenerative resistor
	P+, N	Common DC bus terminals for multiple drivers
	U, V, W	Motor connector: Connect to U,V,W power terminals on servo motor
	PE	PE motor earth terminal: Connect to motor PE terminal
<b>EL7-EC 380V models</b>		
⑨ ⑩	L1C, L2C	Control circuit power supply input - 1ph 380VAC
	R, S, T	Main power supply input - 3ph 380VAC
	P+	DC bus positive terminal. Connect to regenerative resistor
	B1, B2	Please short connect B1 and B2 when using internal regenerative resistor. If external regenerative resistor is required, remove the short connector between B1 and B2, connect the external regenerative resistor to P+ and B2.
	N	DC bus negative terminal. Do not connect.
	N1, N2 (4.4/5.5/7.5kW models)	N1 and N2 are short connected. Connect N1 and N2 after removing short connector to a DC reactor to suppress electrical current high harmonics.
⑪	Protective Earth PE	Connect to PE of main power supply. For grounding

## 1.6 Motor ports and connectors

### Motors with aviation connectors



### Motors with direct connectors





## Chapter 2 Installation & Wiring

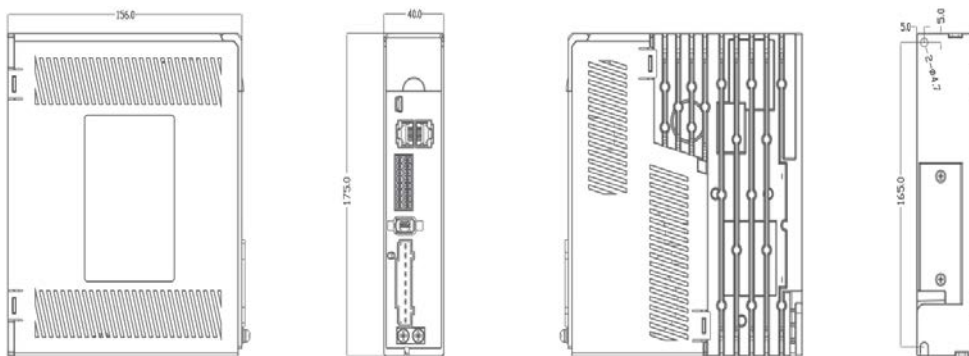
### 2.1 Servo Drive Installation

#### 2.1.1 Servo drive installation environment

<b>Temperature</b>	Storage: -20-80°C (Condensation free); Installation: 0-55°C (Not frozen)
<b>Humidity</b>	Under 90%RH (Condensation free)
<b>Altitude</b>	Up to 1000m above sea level
<b>Vibration</b>	Less than 0.5G (4.9m/s <sup>2</sup> ) 10-60Hz (non-continuous working)
<b>Atmospheric</b>	No corrosive gas, combustibles, dirt or dust.
<b>IP ratings</b>	IP20

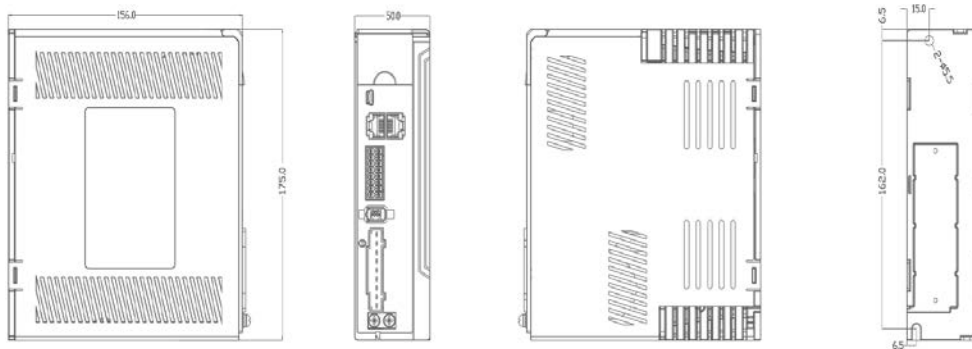
#### 2.1.2 Servo Drive Dimension

##### EL7 – EC Series 400W – 220VAC

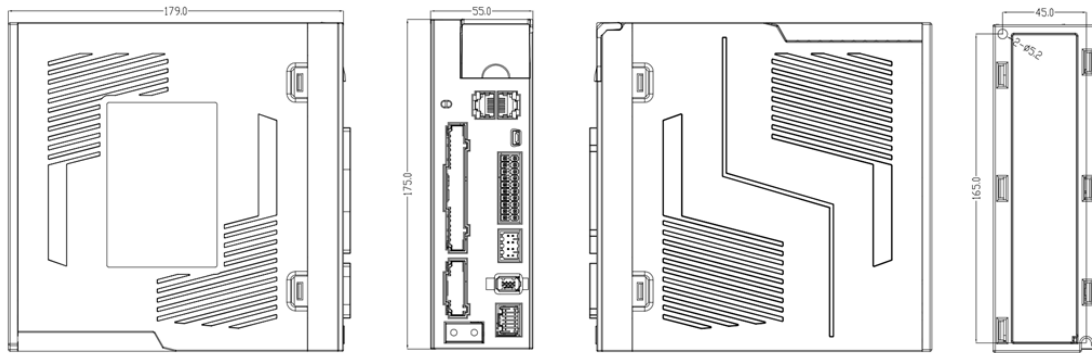
**Size A**


40mm x 175mm x 156mm

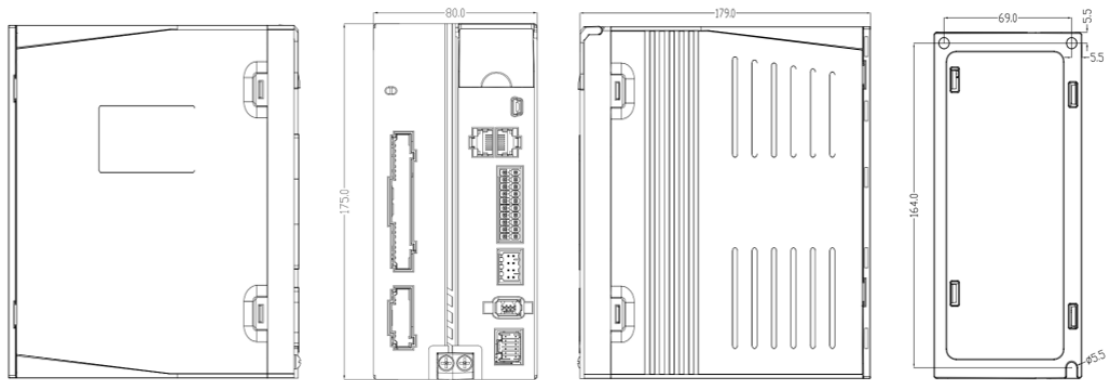
##### EL7 – EC Series 750W/1000W – 220VAC

**Size B**


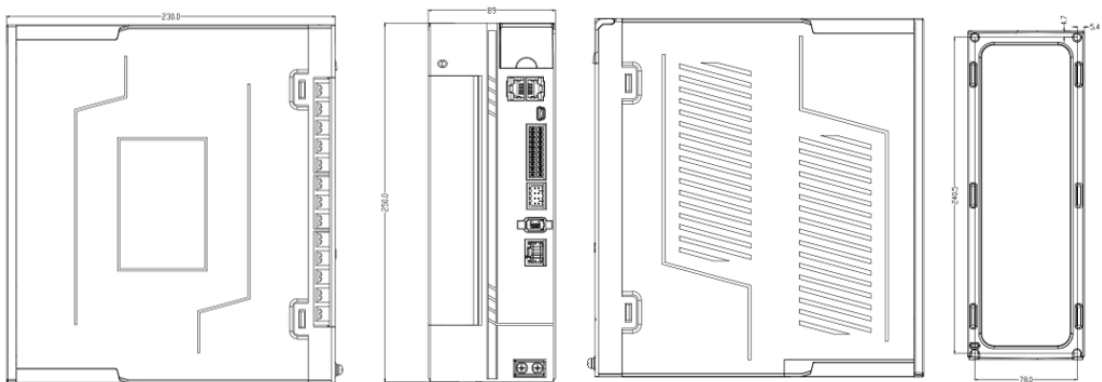
50mm x 175mm x 156mm

**EL7-EC Series 750W/1000W/1500W -380VAC**
**Size C**


55mm×175mm×179mm

**EL7-EC Series 2000W/3000W -380VAC**
**Size D**


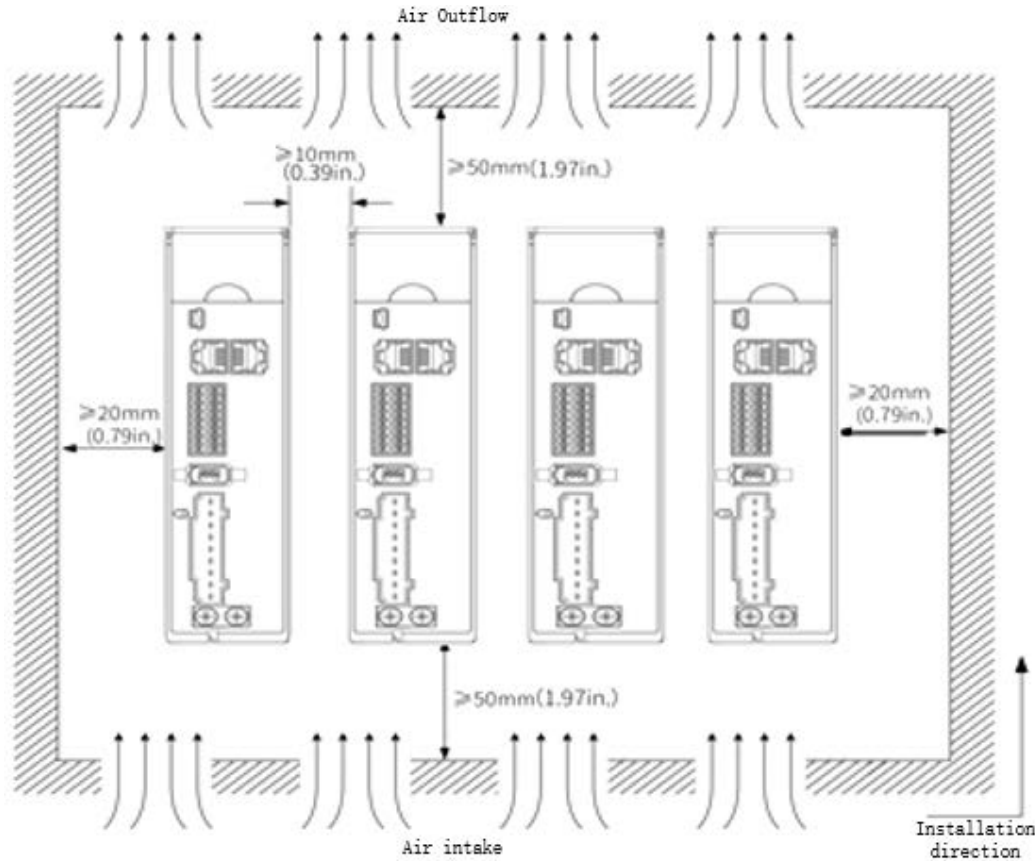
80mm×175mm×179mm

**EL7-EC Series 4400W/5500W/7500W -380VAC**
**Size E**


89mm×250mm×230mm

### Space requirement for installation

In order to ensure efficient heat dissipation, please leave at least 10mm installation space in between drivers. If drivers need to be mounted compactly, please leave at least 1mm of installation space. Please keep in mind that under such conditions, the drivers can only run at 75% of actual load rate.



- ✓ **Installation method**  
Please install the driver vertical to ground facing forward for better heat dissipation. Always install in rows and use heat insulation board to separate between rows. Cooling fans are recommended for drivers to achieve optimal performance.
- ✓ **Grounding**  
PE terminals must be grounded to prevent electrocution hazard or electromagnetic interference.
- ✓ **Wiring**  
Please ensure there is no liquid around the wiring and connectors as liquid leakage may cause serious damage to the driver(s).

## 2.2 Servo Motor Installation

### 2.2.1 Installation conditions

Installation conditions may affect the lifespan of a motor

- Please keep away from corrosive fluid and combustibles.
- If dusty working environment is unavoidable, please use motors with oil seal.
- Please keep away from heat source.
- If motor is used in enclosed environment without heat dissipation, motor lifespan will be short.
- Please check and clean the installation spot before installation.

### 2.2.2 Precautions during installation

#### Installation method

##### Install horizontal to ground

Make sure power cable and encoder cable is facing downwards to make sure fluid doesn't leak into the ports.

##### Install vertical to ground

Please use a motor with oil seal when paired with a reducer to prevent reducer oil from leaking into the motor.

#### Oil- and waterproofing

- Do not submerge motor/cable under oil/water
- Please use a motor with oil seal when paired with a reducer to prevent reducer oil from leaking into the motor.
- If there is an unavoidable fluid leakage near the motor, please use motor with better IP ratings.
- Make sure power cable and encoder cable is facing downwards to make sure fluid doesn't leak into the ports.
- Avoid the usage of motor in water/oil leaking prone environment.

#### Cable under stress

- Do not the bend the cable especially at each ends of the connectors.
- Make sure to not let the cables be too tight and under tremendous stress especially thinner cables such as signal cables.

#### Connectors

- Please to remove any conductive foreign objects from the connectors before installation
- The connectors are made of resin. May not withstand impact.
- Please hold the driver during transportation, not the cables.

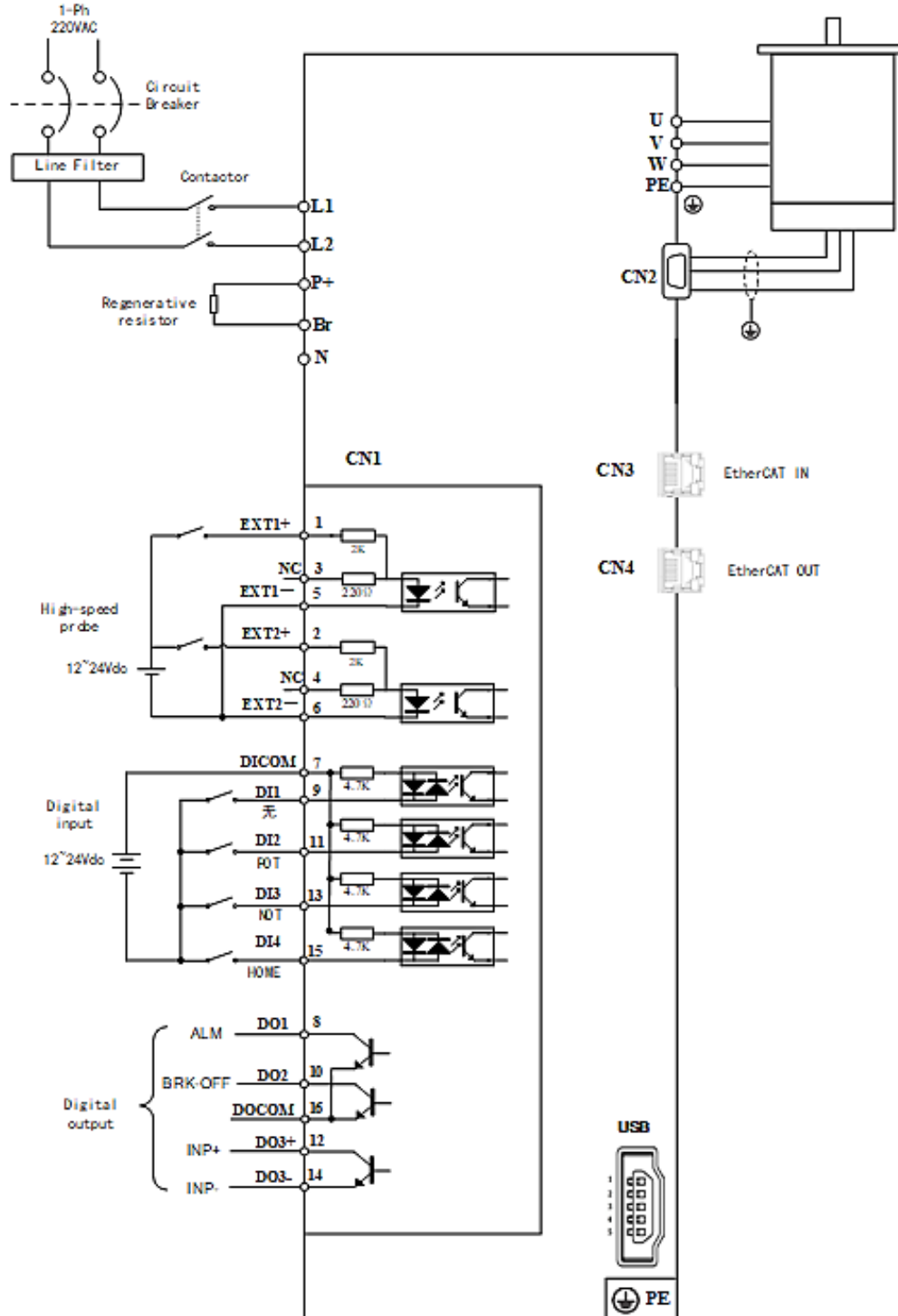
- Leave enough “bend” on the connector cables to ensure less stress upon installation.

#### Encoder & coupling

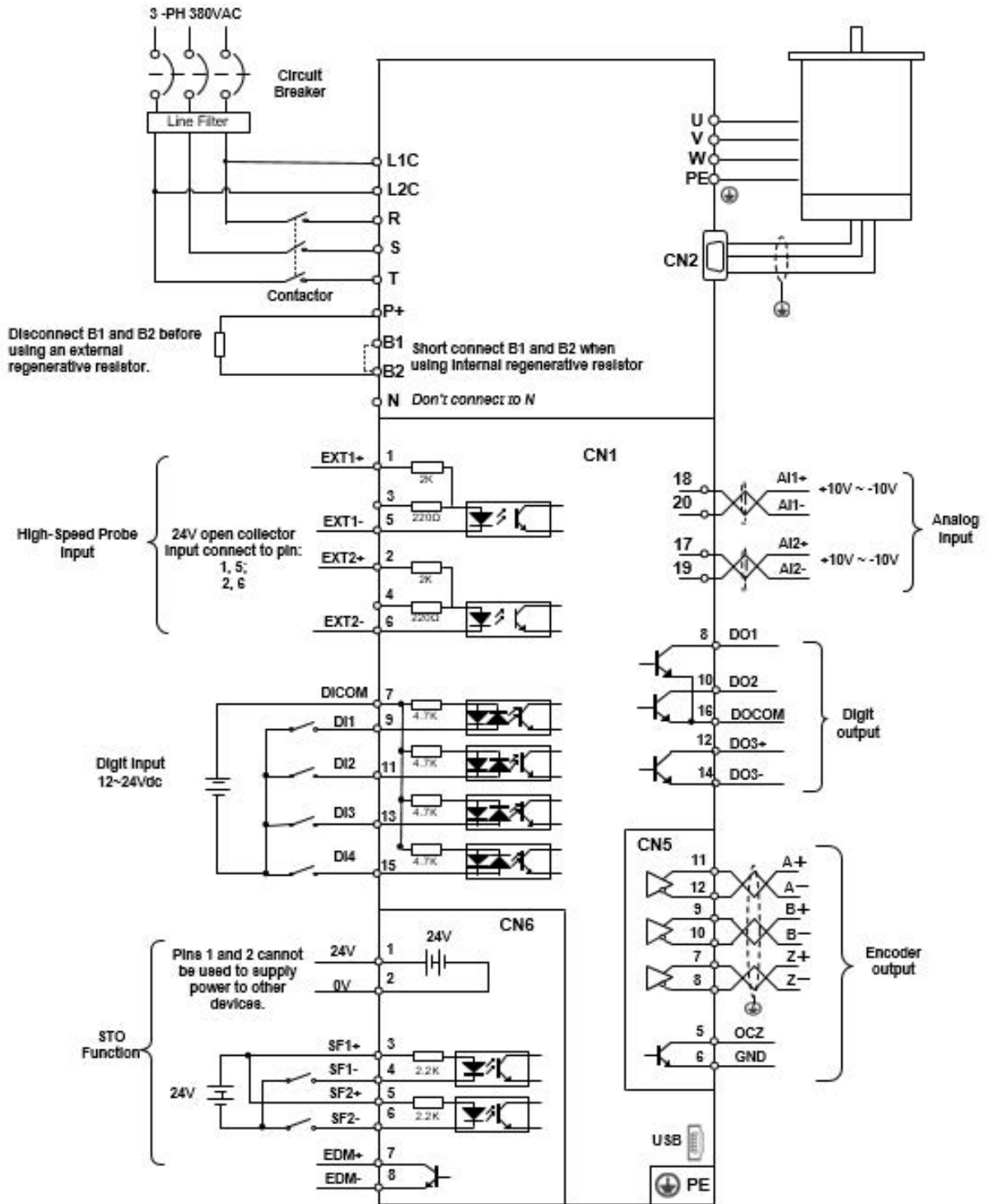
- During installation or removal of coupling, please do not hit the motor shaft with a hammer as it would cause damage to internal encoder.
- Please make sure to centralize the motor shaft and coupling, it might cause damage to motor or encoder due to vibration.
- Please make sure axial and radial load is within the limits specified as it might affect the lifespan of the motor or cause damage to it.

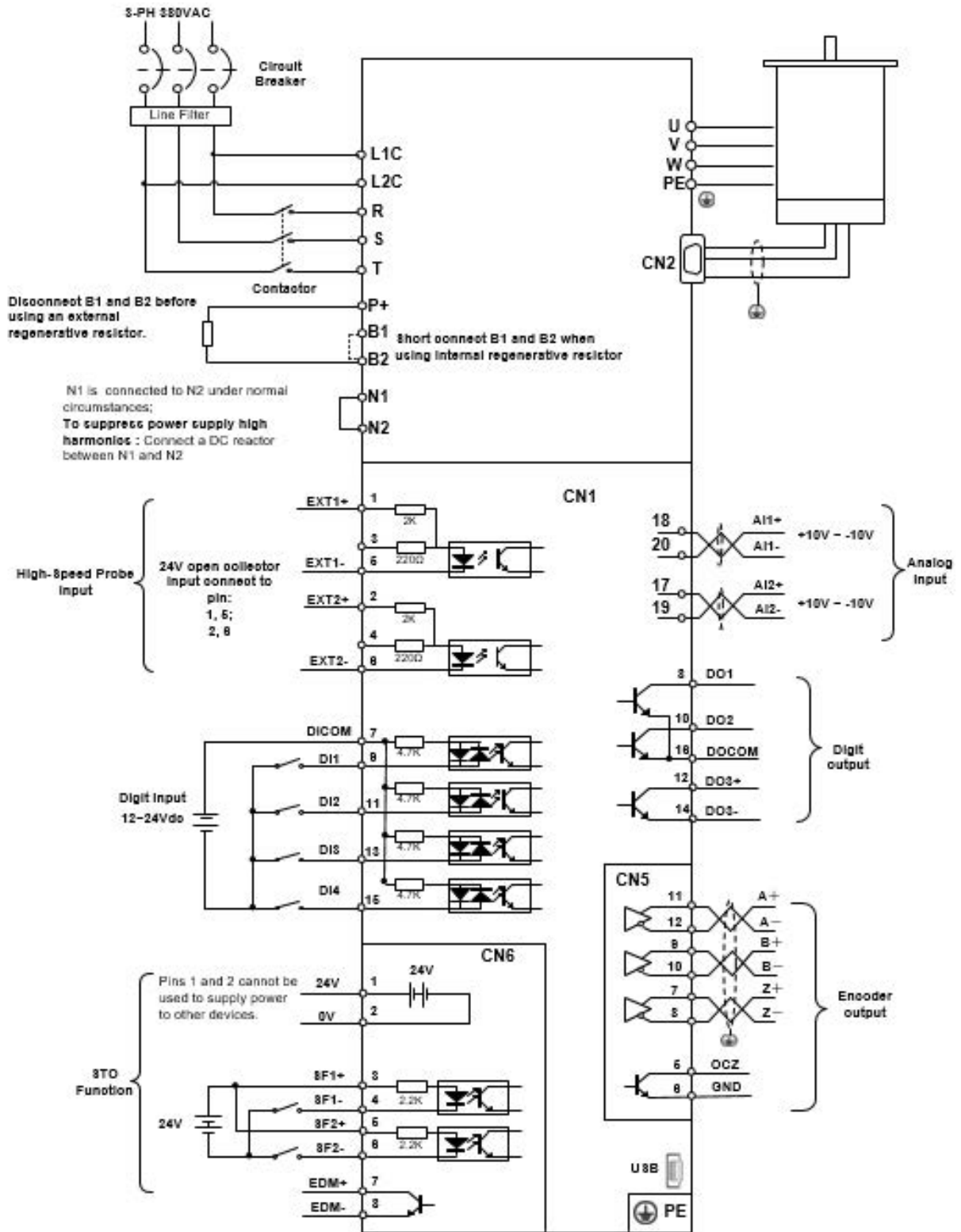
## 2.3 EL7-EC Wiring Diagram

### EL7-EC Series – 220V Models



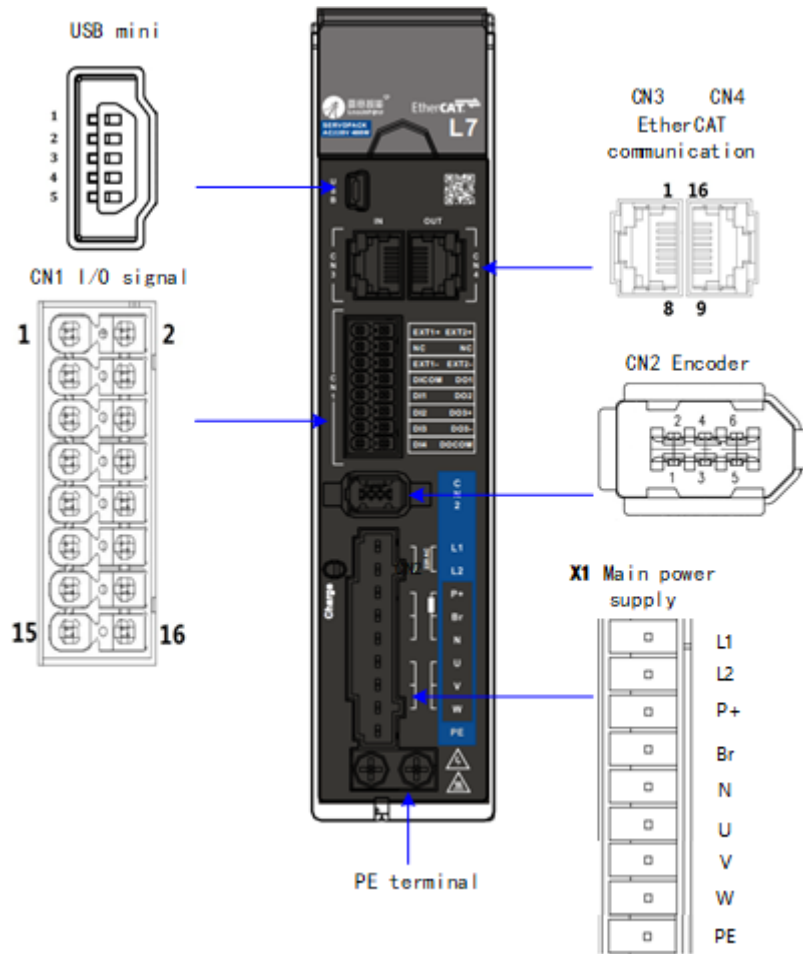
**EL7-EC Series 750W/1000W/1500W/2000W/3000W – 380V Models**



**EL7-EC Series 4400W/5500W/7500W – 380V Models**




## 2.4 Servo Drive Ports



**Table 2-1 Functions of driver port**

Port	Function
CN1	I/O Signal Port
CN2	Encoder port
USB	USB mini Port
CN3	EtherCAT IN Communication Port
CN4	EtherCAT OUT Communication Port
CN6	Safe Torque Off (STO) Port
X1	Main Power Supply

## 2.4.1 X1 Main power supply

### EL7-EC Series – 220V Models

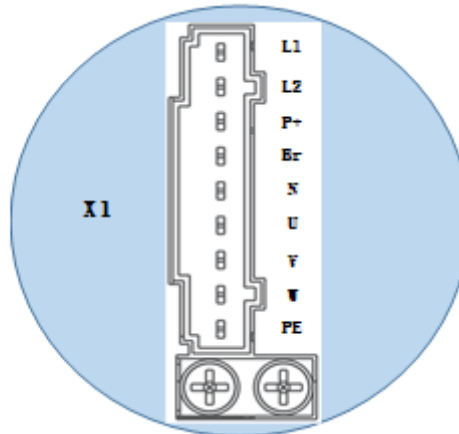
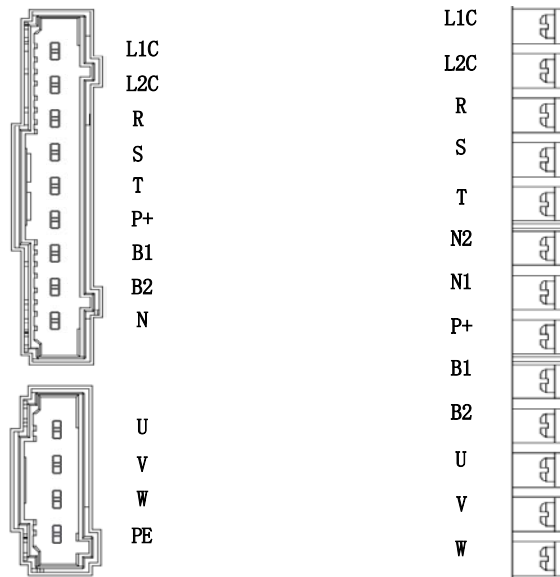


Table 2-2 X1 port descriptions

Port	Pin	Functions	Remarks
X1	L1	Single phase 220VAC, +10 ~ -15%, 50/60Hz	① Optional isolation transformer ② Do not connect to 380VAC directly to prevent damage to driver. ③ In case of serious interference, it is recommended to connect a line filter to main power supply; <i>It is recommended to install a fuseless circuit breaker to cut off power supply in time when the driver fails.</i>
	L2		
	P +	① Internal DC bus positive terminal ② External regenerative resistor P terminal	Please refer to 2.4.1 Regenerative resistor selection and connections
	Br	External regenerative resistor terminal	
	N		Please do not connect
	U	Motor U terminal	Please ensure proper wire connection on motor.
	V	Motor V terminal	
	W	Motor W terminal	
PE	Motor Protective Earth	Please ground PE of driver and motor together	

**EL7-EC Series – 380V Models**


Port	Pin	Functions	Remarks
X1	L1C	Control circuit: Single phase 380VAC, +10 ~ -15%, 50/60Hz	① Optional isolation transformer ② In case of serious interference, it is recommended to connect a line filter to main power supply; <i>It is recommended to install a fuseless circuit breaker to cut off power supply in time when the driver fails.</i>  If an external regenerative resistor is required, please disconnect B1 and B2. Connect the external regenerative resistor to terminal P+ and B2.  Please do not connect  N1 and N2 are connected under normal circumstances. To suppress power supply high harmonics, please disconnected N1 and N2. Connect a DC reactor between N1 and N2.  Please ensure proper wire connection on motor.  Please ground PE of driver and motor together
	L2C		
	R	Main Power Supply: Three phase 380VAC, +10 ~ -15%, 50/60Hz	
	S		
	T		
	P +	③ Internal DC bus positive terminal ④ External regenerative resistor P terminal	
	B1/B2	External regenerative resistor terminal	
	N	Internal DC bus negative terminal	
	N1		
	N2		
	U	Motor U terminal	
	V	Motor V terminal	
	W	Motor W terminal	
PE	Motor Protective Earth		

## 2.4.2 Regenerative resistor selection and connections

### The use of regenerative resistor

When the motor opposes the direction of rotation as in deceleration or vertical axis escalation, part of the regenerative energy will be delivered back to the driver. This energy will first be stored in internal capacitors of the driver. When the energy stored in the capacitors reach the maximum capacity, a regenerative resistor is required the excessive energy to prevent over-voltage.

### Selection of regenerative resistor

**Table 2-3 Recommended selection of regenerative resistor**

Model no.	Internal resistance (Ω)	Internal resistor power rating (W)	Minimum resistance (Ω)	Minimum power rating (W)
EL7-EC400F	100	50	50	50
EL7-EC750F	50	75	40	50
EL7 -EC1000F	50	100	30	100
EL7-EC750FT	100	100	100	100
EL7-EC1000FT	100	100	100	100
EL7-EC1500FT	100	100	100	100
EL7-EC2000FT	50	100	40	100
EL7-EC3000FT	50	100	40	100
EL7-EC4400FT	35	100	35	100
EL7-EC5500FT	35	100	25	100
EL7-EC7500FT	35	100	25	100

### Calculation of regenerative resistance under normal operation

Steps:

1. Determine if driver comes with a regenerative resistor. If not, please prepare a regenerative resistor with resistance value higher than might be required.
2. Monitor the load rate of the regenerative resistor using front panel (d14). Set the driver on high velocity back and forth motions with high acceleration/deceleration.
3. Please make sure to obtain the value under following conditions: Driver temperature < 60°C, d14<80(Won't trigger alarm), Regenerative resistor is not fuming, No overvoltage alarm(Err120).

$$P_b(\text{Regenerative power rating}) = \text{Resistor power rating} \times \text{Regenerative load rate (\%)}$$

Please choose a regenerative resistor with power rating  $P_r$  about **2-4 times the value of  $P_b$**  in considered of harsh working conditions and some 'headroom'.

If the calculated  $P_r$  value is less than internal resistor power rating, external resistor is not required.

$$R(\text{Max. required regenerative resistance}) = (380^2 - 370^2)/Pr$$

Problem diagnostics related to regenerative resistor:

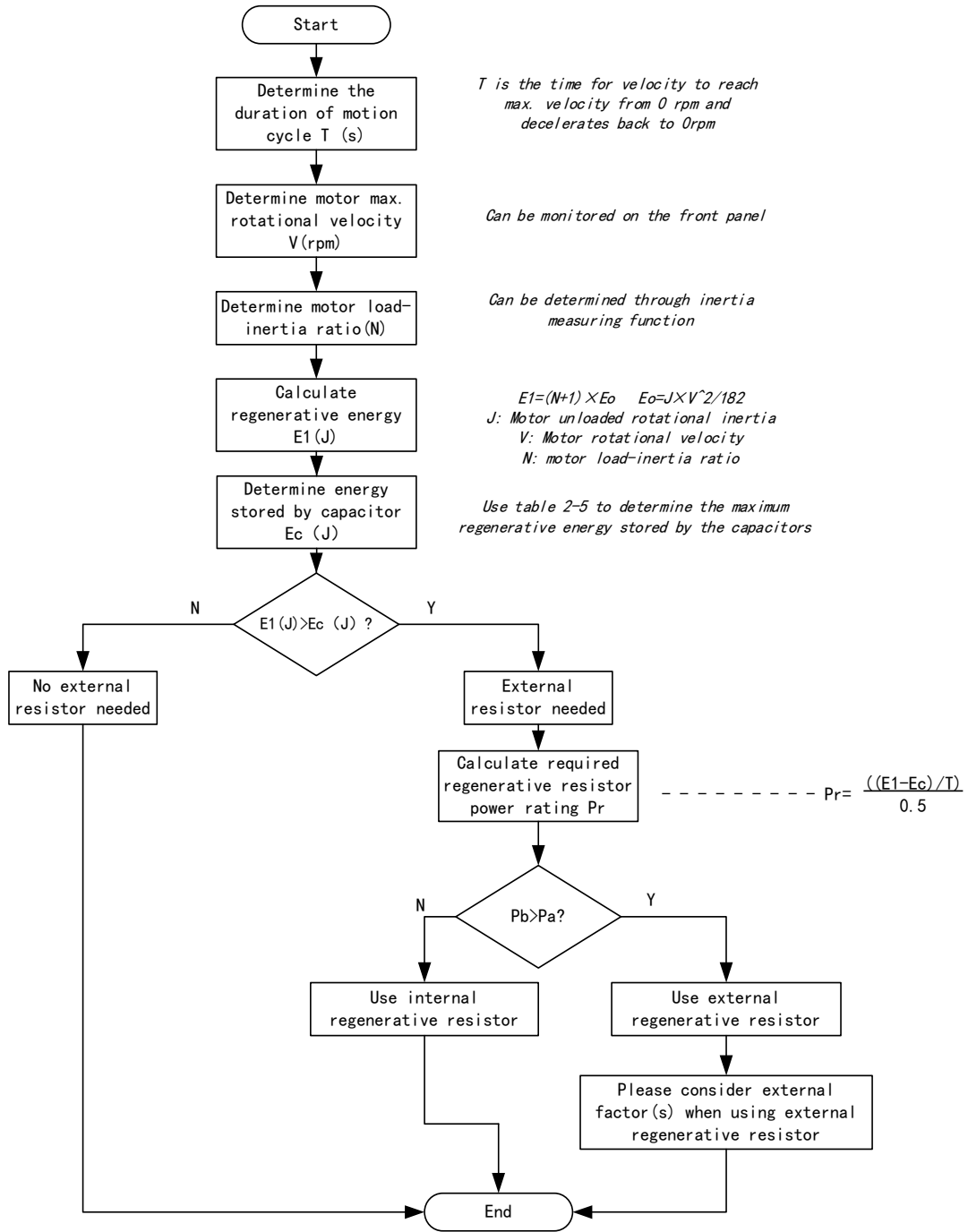
- If driver temperature is high, reduce regenerative energy power rating or use an external regenerative resistor.
- If regenerative resistor is fuming, reduce regenerative energy power rating or use an external regenerative resistor with higher power rating.
- If d14 is overly large or increasing too fast, reduce regenerative energy power rating or use an external regenerative resistor with higher power rating.
- If driver overvoltage alarm (Er120) occurs, please use an external regenerative resistor with lower resistance or connect another resistor in parallel.

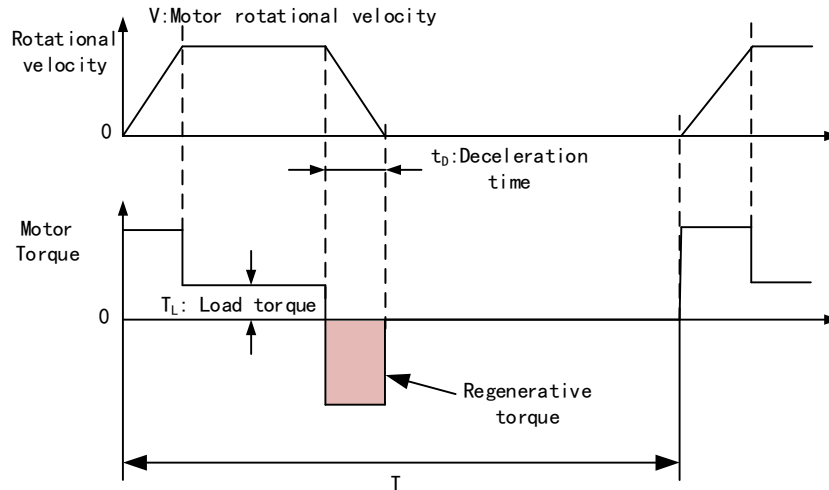
Please take following precautions before installing an external regenerative resistor.

1. Please set the correct resistance value in Pr0.16 and resistor power rating Pr0.17 for the external regenerative resistor.
2. Please ensure the resistance value is higher or equals to the recommended values in table 2-3. Regenerative resistors are generally connected in series but they can also be connected in parallel to lower the total resistance.
3. Please provided enough cooling for the regenerative resistor as it can reach above 100°C under continuous working conditions.
4. The min. resistance of the regenerative resistor is dependent on the IGBT of the holding brake. Please refer to table

#### Theoretical selection of regenerative resistor

Without external loading torque, the need for an external regenerative resistor can be determined as the flow chart below




**Table 2-4 Steps to calculate capacity of regenerative resistor**

Steps	Calculation	Symbol	Formula
1	Servo system regenerative energy	$E_1$	$E_1 = (N+1) \times J \times V^2 / 182$
2	Depleted energy from loss of load system during acceleration	$E_L$	$E_L = (\pi/60) V \times T_L \times t_D$ <i>If loss is not determined, please assume <math>E_L = 0</math>.</i>
3	Depleted energy due to motor coil resistance.	$E_M$	$E_M = (U^2/R) \times t_D$ R = coil resistance, U = operating voltage <i>If R is not determined, please assume <math>E_M = 0</math>.</i>
4	Energy stored by internal DC capacitors	$E_C$	Please refer to table 2-5
5	Depleted energy due to regenerative resistance	$E_K$	$E_K = E_1 - (E_L + E_M + E_C)$ , If loss is ignored, $E_K = E_1 - E_C$
6	Required power rating of regenerative resistor	$P_r$	$P_r = E_K / (0.5 \times T)$

**Internal capacitor capacity and rotor inertia**

EL7-EC Drivers	Servo motor	Rotor Inertia ( $\times 10^{-4} \text{kg.m}^2$ )	Max. regenerative energy stored in capacitor $E_C$ (J)
400W	ELM2H-0400LA60	0.58	13.47
750W	ELM2H-0750LA80	1.66	22.85
1000W	ELM2M-1000LB80	1.79	27.74
	ELM2M-1000LB130	8.5	

There are motors with low, medium and high inertia. Different motor models have different rotor inertia. Please refer to servo product catalogue for more information on rotor inertia.

Calculation examples:

Servo drive: EL7-EC750F, Servo Motor: ELM2H-0750LA80. When T = 2s, rotational velocity = 3000rpm, load inertia is 5 times of motor inertia.

EL7-EC Drivers	Servo motor	Rotor Inertia (× 10 <sup>-4</sup> kg.m <sup>2</sup> )	Max. regenerative energy stored in capacitor Ec(J)
750W	ELM2H-0750LA80	1.66	22.85

Regenerative energy produced:

$$E1 = \frac{(N + 1) \times J \times V^2}{182} = \frac{(5 + 1) \times 1.66 \times 3000^2}{182} = 49.3J$$

If E1 < Ec, internal capacitors can't take in excessive regenerative energy, regenerative resistor is required.

Required regenerative resistor power rating Pr:

$$Pr = \frac{(E1 - Ec)}{0.5T} = \frac{49.3 - 22.85}{0.5 \times 2} = 26.45W$$

Hence, with the internal regenerative resistor Pa = 75W, Pr < Pa, no external regenerative resistor is required.

Let's assume if the load inertia is 15 times of motor inertia, Pr = 108.6W, Pr > Pa, external regenerative resistor is required. And to consider for harsh working environment,

$$Pr(\text{external}) = 108.6 / (1 - 40\%) = 181 W$$

When selecting the resistance of the regenerative resistor, please be higher than the minimum value recommended in table 2-3 but lower than Rmax

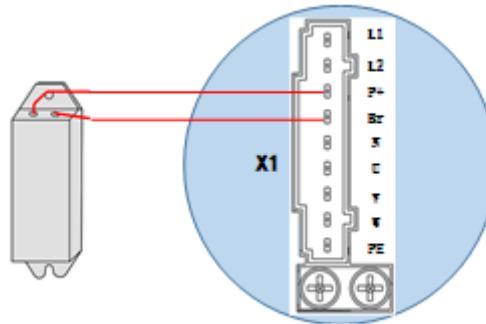
$$R_{\max} = (380^2 - 370^2) / Pr = 7500 / 108.6 = 69\Omega$$

In conclusion, a regenerative resistor with resistance 40Ω - 70Ω and power rating 110W to 180W can be chosen.

*Please take note that theoretical calculations of the regenerative resistance is not as accurate as calculations done under normal operation.*



## Connection of a regenerative resistor



## 2.4.2 Wire Gauge for Main Power Supply

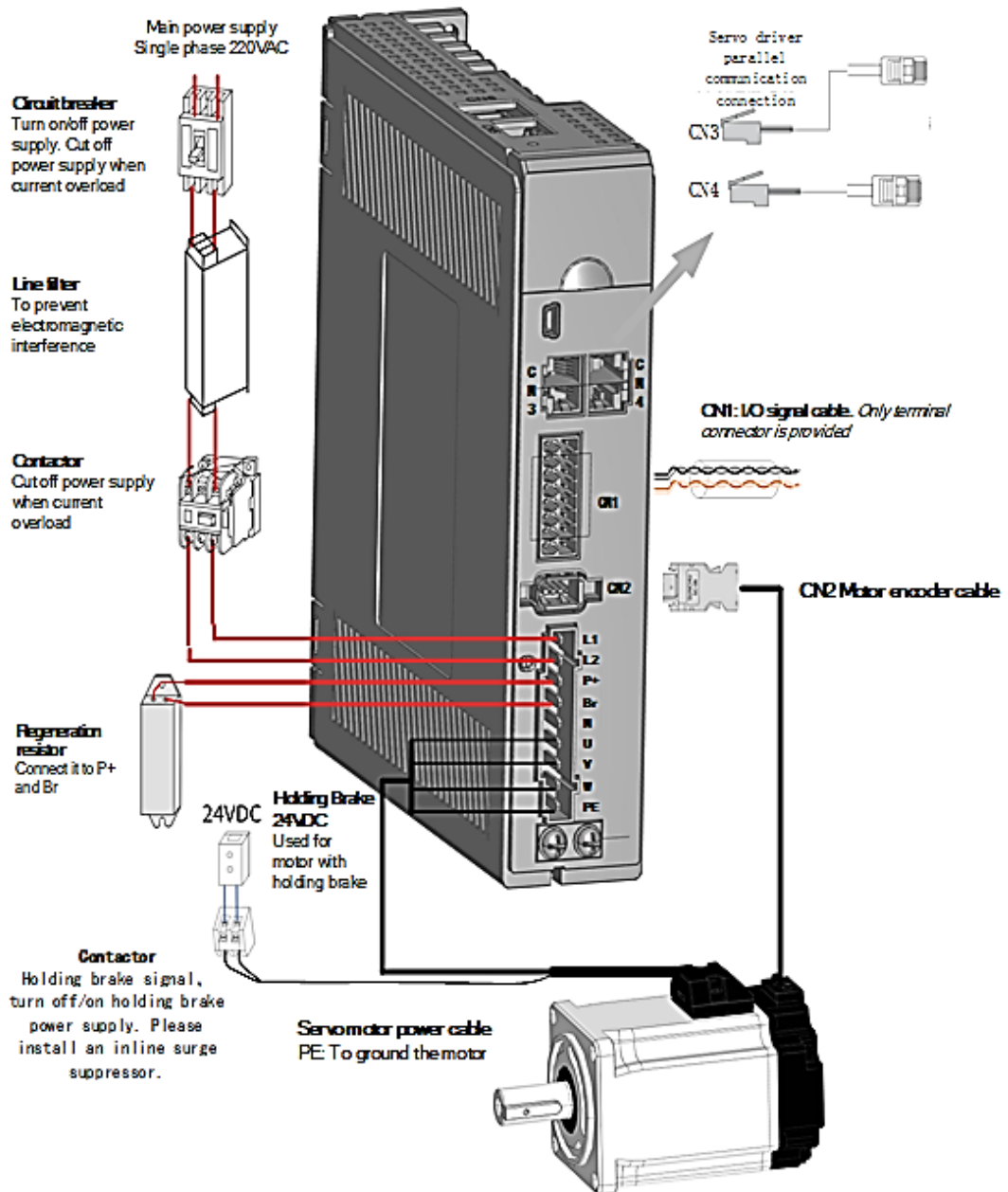
Table 2-6 Main power supply wire gauge

Driver	Wire diameter (mm <sup>2</sup> /AWG)			
	L1 L2/R S T	P+ BR	U V W	PE
EL7-EC400F	0.81/AWG18	2.1/AWG14	1.3/AWG16	2.1/AWG14
EL7-EC750F	0.81/AWG18	2.1/AWG14	1.3/AWG16	2.1/AWG14
EL7-EC1000F	0.81/AWG18	2.1/AWG14	2.1/AWG14	2.1/AWG14
EL7-EC750FT	1.3/AWG16	2.1/AWG14	1.3/AWG16	2.1/AWG14
EL7-EC1000FT	2.1/AWG14	2.1/AWG14	2.1/AWG14	2.1/AWG14
EL7-EC1500FT	2.1/AWG14	2.1/AWG14	2.1/AWG14	2.1/AWG14
EL7-EC2000FT	2*0.75/AWG18	1.5/AWG16	3*1.5/AWG16	1.5/AWG16
EL7-EC3000FT	2*0.75/AWG16	1.5/AWG16	3*1.5/AWG16	1.5/AWG16
EL7-EC4400FT	2*0.75/AWG16	4.0/AWG12	3*4.0/AWG12	4.0/AWG12
EL7-EC5500FT	2*0.75/AWG14	4.0/AWG12	3*4.0/AWG12	4.0/AWG12
EL7-EC7500FT	2*0.75/AWG12	4.0/AWG12	3*4.0/AWG12	4.0/AWG12

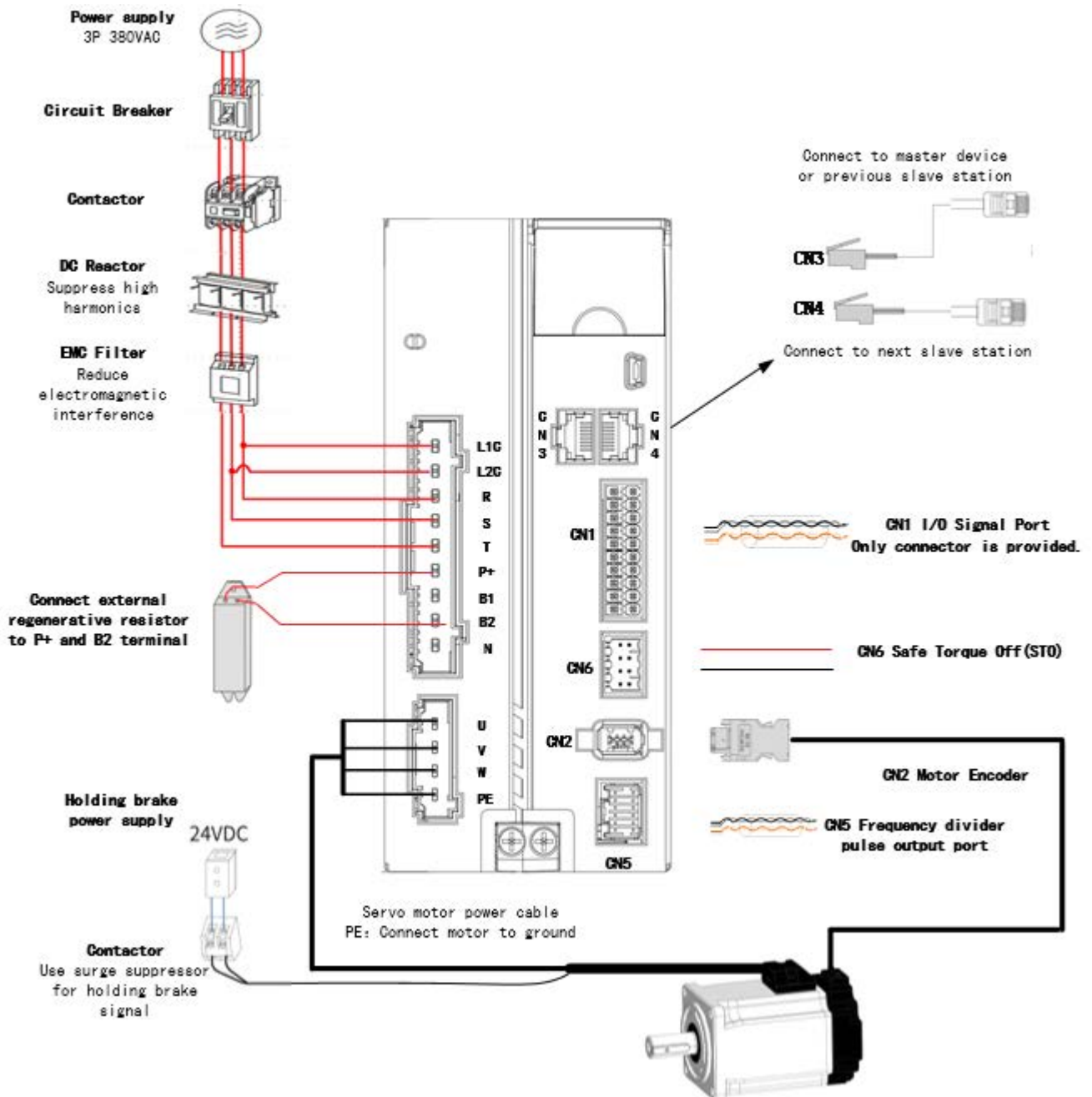
- Grounding: Grounding wire should be thicker. Ground PE terminal of servo drive and servo motor together with resistance <100 Ω.
- A 3-phase isolation transformer is recommended to lessen the risk of electrocution
- Connect a line filter to power supply to reduce electromagnetic interference.
- Please install a fuseless circuit breaker to cut off power supply in time when the driver fails.

### 2.4.3 Wiring connections for EL7-EC series servo drives

#### EL7-EC Series – 220VAC

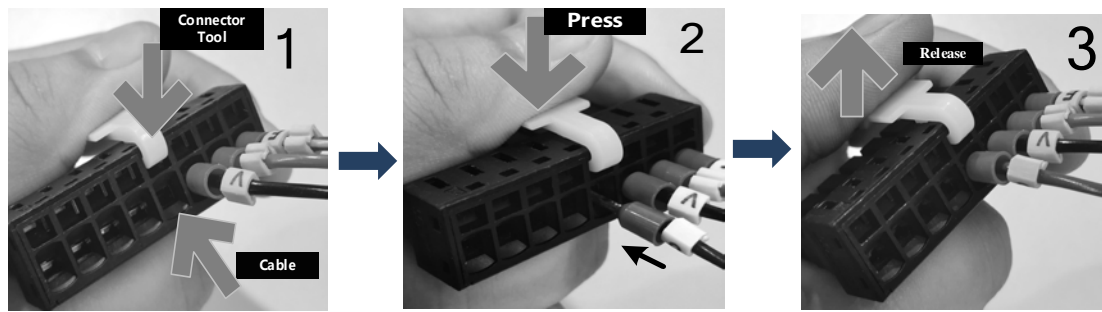


- EL7-EC series servo drive 220VAC models support single phase and three phase 220VAC. Only driver with power rating above 1500W supports three phase 220VAC.

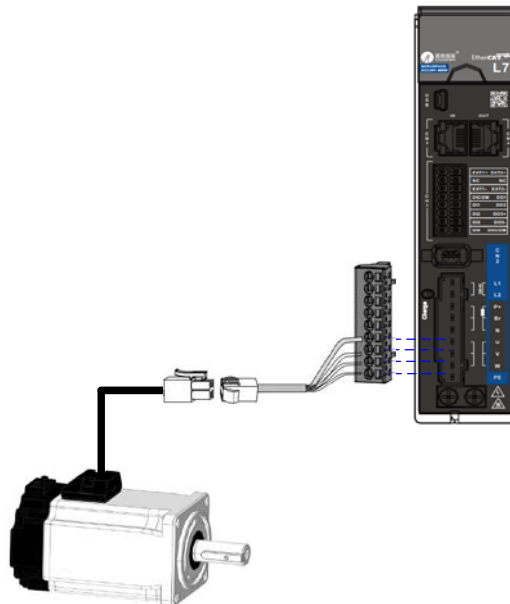
**EL7-EC Series – 380VAC**


- Please use a circuit breaker for the main power supply to prevent damage to the product or machine.
- Please do not use a contactor in connection to servo motor as it may not withstand a sudden surge of operating voltage.
- Please take note of the capacity when connect to a 24VDC switching power supply, especially if power supply is shared between multiple components. Insufficient supply current will cause failure in holding brake functions.

### To fix wire cables into connector



### 2.4.4 Connecting motor power cable to servo drive



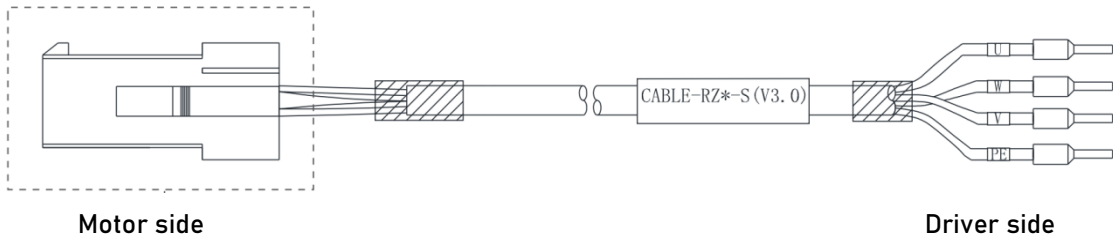
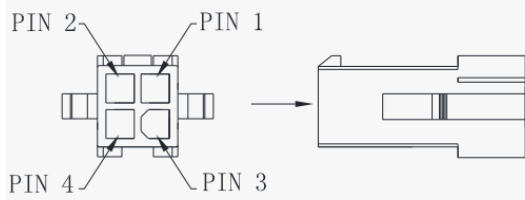
Example: Connecting a motor with electrical connectors

The power cable from the driver is labeled with U, V, W, PE. Please connect the wires accordingly to the power cable extending from the servo motor.

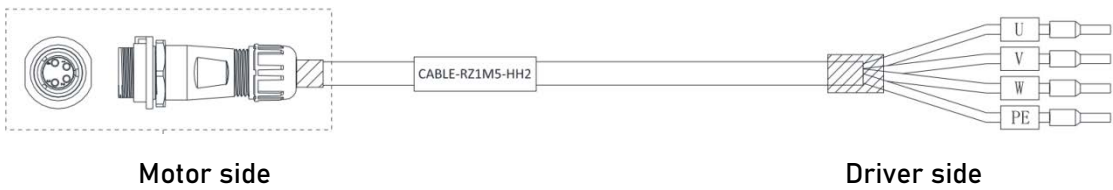
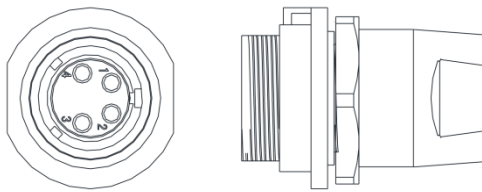
### Motor power cable selection

#### Motor winding power cable

- Wire length available: 1.5m, 3m and 5m
- Connectors type available: AMP electrical connectors, aviation connectors, direct connectors (recommended)
- Please contact Leadshine sales team or any Leadshine certified local retailers for any customized needs.

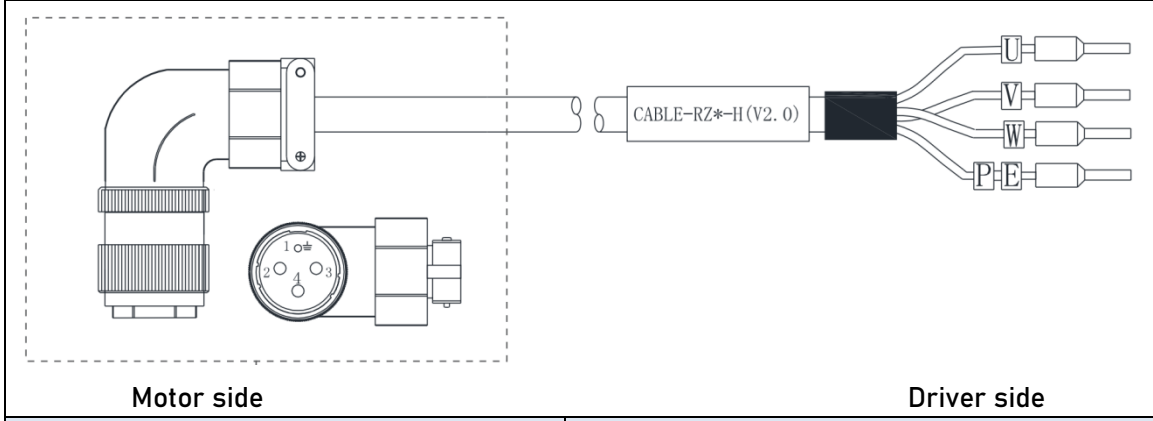
**AMP electrical connector (Frame size 80 or below) CABLE-RZ\*-S(V3.0)**

**Motor cable pin**

**Pins**

Motor	Color	Driver
1	Blue	U
3	Black	V
2	Red	W
4	Yellow-green	PE

**Aviation connector (Frame size 80 or below) CABLE-RZ\*-HH2(V3.0)**

**Motor cable pin**

**Pins**

Motor	Color	Driver
1	Blue	U
3	Black	V
2	Red	W
4	Yellow-green	PE

**Aviation connector ( Frame size 130 ) CABLE-RZ\*H(V1.1/V2.0)**

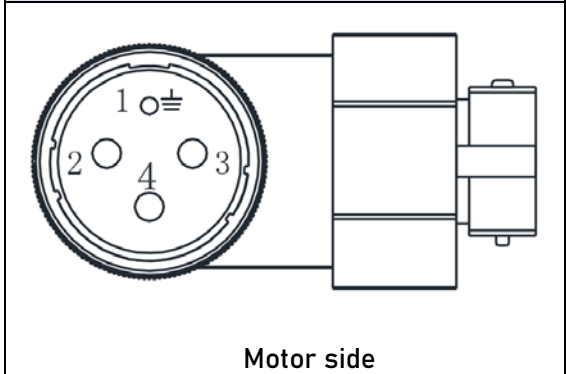


Motor side

Driver side

**Motor cable pin**

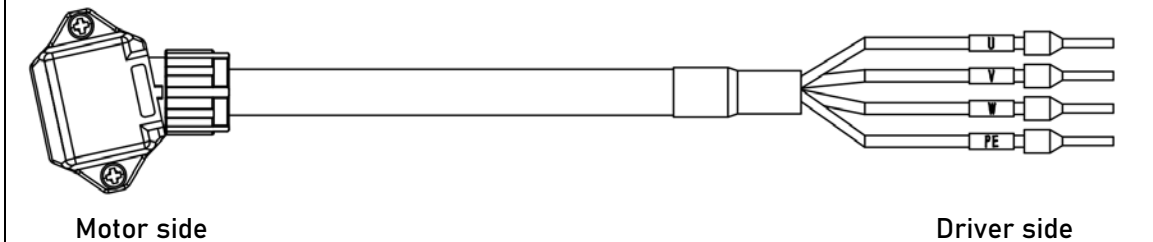
**Pins**



Motor side

Motor	Color	Driver
1	Red	U
3	Green	V
2	Black	W
4	Yellow	PE

**Direct connector(Frame size 80 or below ) CABLE-RZH\*M\*-114-TS without holding brake**

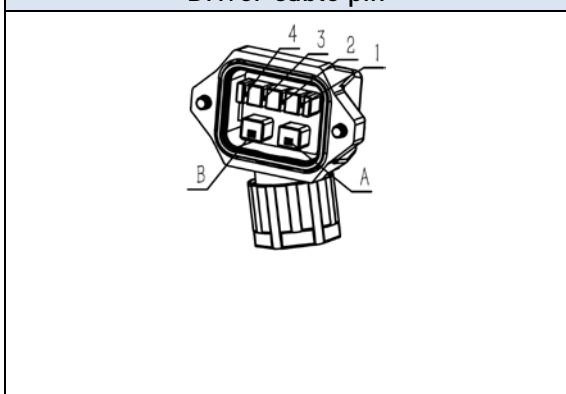


Motor side

Driver side

**Driver cable pin**

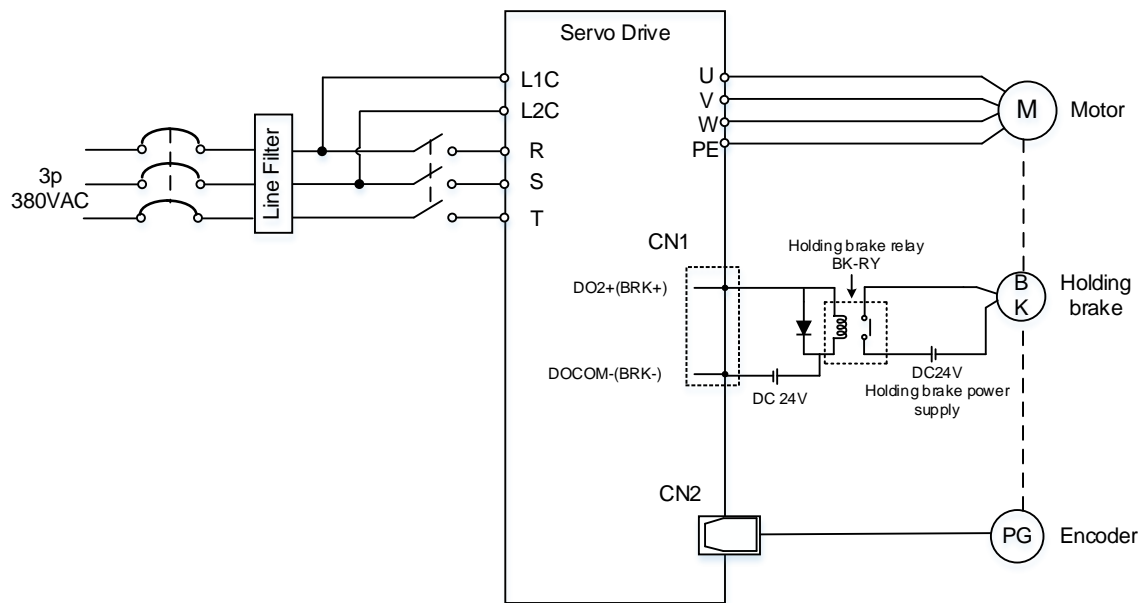
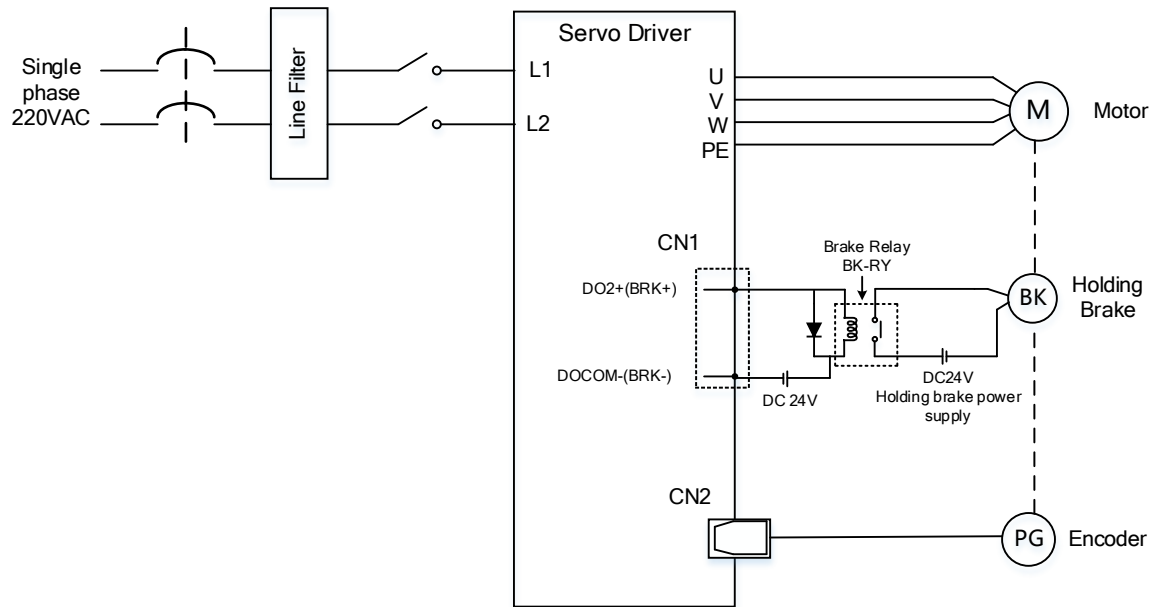
**Pins**



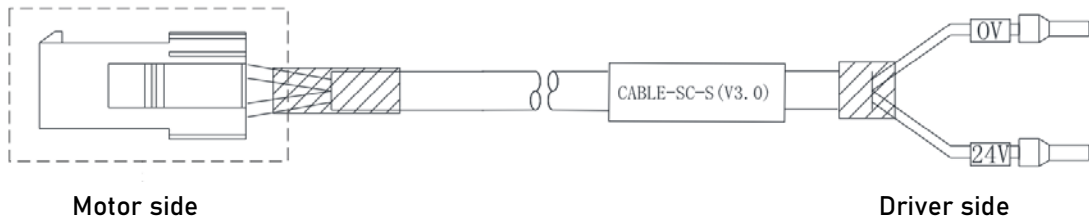
Motor	Color	Driver
1	Blue	U
2	Black	V
3	Red	W
4	Yellow-green	PE

## 2.5 Holding brake connection

Holding brake is activated when servo drive is not powered on to prevent axis from moving due to gravitational pull or other external forces by locking the motor in place. Usually used on axis mounted vertically to the ground so that the load would not drop under gravitational force when the driver is powered off or when alarm occurs.

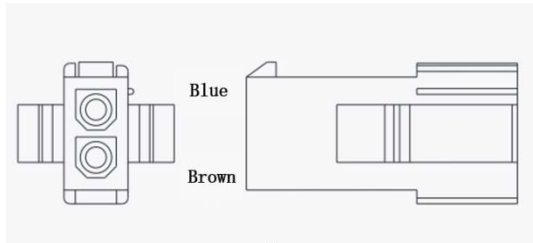


Holding brake wiring diagram

**Holding Brake cable and connectors**
**AMP electrical connector (Frame size 80 or below) CABLE-SC\*-S(V3.0)**


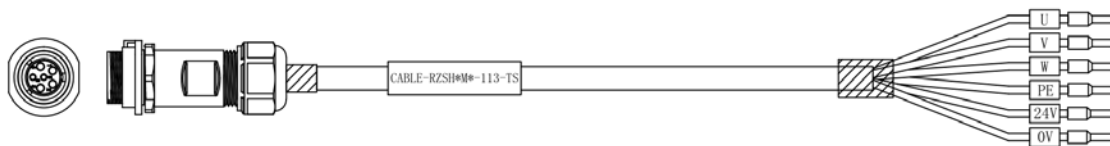
Motor side

Driver side

**Motor cable pin**
**Pins**


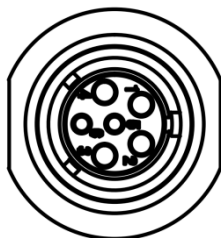
Motor side

Motor	Color	Pin
2	Blue	0V
1	Brown	24V

**Aviation connector (Frame size 80 or below) CABLE-RZSH\*M\*-113-TS Winding cable with holding brake**


Motor side

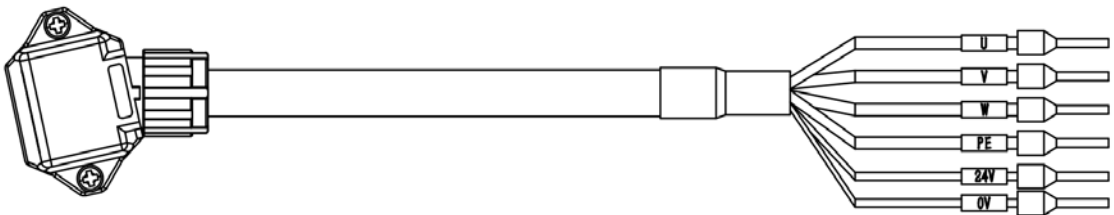

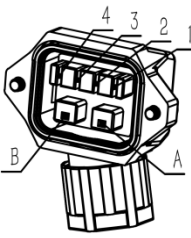
Driver side

**Motor cable pin**
**Pins**


Motor side

Motor	Color	Driver
1	Blue	U
2	Red	W
3	Black	V
4	Yellow-green	PE
5	Black	0V
6	Red	24V



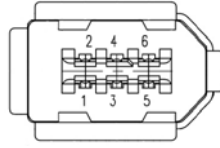
Direct connector CABLE-RZH*M*-114-TS Winding cable with holding brake																						
 Motor side	 Driver side																					
Motor cable pin	Pin																					
	<table border="1"> <thead> <tr> <th>Motor</th> <th>Color</th> <th>Driver</th> </tr> </thead> <tbody> <tr> <td>1</td> <td>Blue</td> <td>U</td> </tr> <tr> <td>2</td> <td>Black</td> <td>V</td> </tr> <tr> <td>3</td> <td>Red</td> <td>W</td> </tr> <tr> <td>4</td> <td>Yellow-green</td> <td>PE</td> </tr> <tr> <td>A</td> <td>Black</td> <td>0V</td> </tr> <tr> <td>B</td> <td>Red</td> <td>24V</td> </tr> </tbody> </table>	Motor	Color	Driver	1	Blue	U	2	Black	V	3	Red	W	4	Yellow-green	PE	A	Black	0V	B	Red	24V
Motor	Color	Driver																				
1	Blue	U																				
2	Black	V																				
3	Red	W																				
4	Yellow-green	PE																				
A	Black	0V																				
B	Red	24V																				

- Mechanical noise might exist when motor with holding brake is in operation but it doesn't affect the functionality of the motor.
- When the holding brake circuit is closed (holding brake deactivated), there might be magnetic flux leakage. Please be aware to not use magnetic sensor around motor with holding brake.
- 24V operating voltage for the holding brake has to be ensured to maintain the functionality of the holding brake. Please consider the voltage dropped over lengthy motor cables due to increase in cable resistance.
- It is recommended to have an isolated switching power supply for the holding brake to prevent malfunctioning of the holding brake in case of voltage drop.
- If the motor is using a magnetic encoder, holding brake wires need to be differentiated between positive and negative terminal to prevent interference to the magnetic encoder due to wrong polarity. It might cause alarm, loss in encoder accuracy or abnormal vibration, etc.  
 Motor with optical encoder has no such problem, so holding brake circuit can be connected in anyway.

**Table 2-7 Holding brake terminal pins in color codes**

Motor flange 80 or below	Color	Brown	Blue	Red	Black
	Terminal	24V	0V	24V	0V
	Pin	1	2	6	5
Motor flange 130 or above	Color	Red		Black	
	Terminal	24V		0V	
	Pin	2		1	

## 2.6 CN2 Encoder

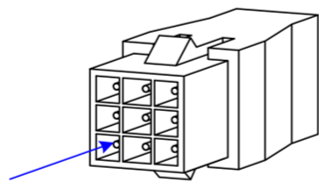


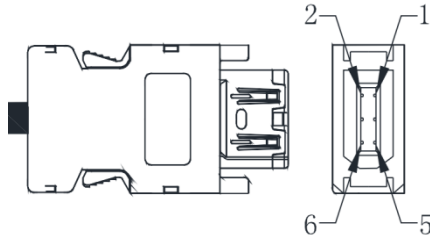
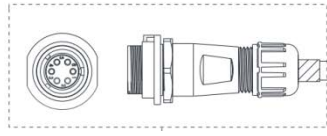
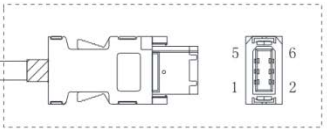
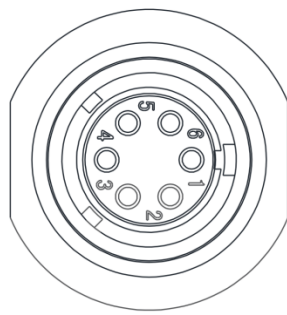
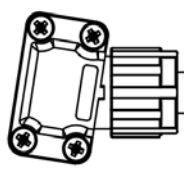
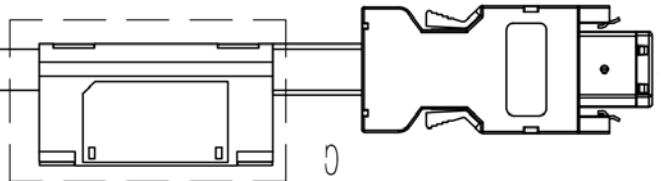
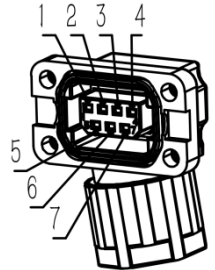
Connector	Pin	Signal	Description
CN2	1	VCC5V	Power supply 5V
	2	GND	Power supply ground
	3	BAT+	Battery positive terminal
	4	BAT-	Battery negative terminal
	5	SD+	SSI Data+
	6	SD-	SSI Data-
	Frame	PE	Shield grounding

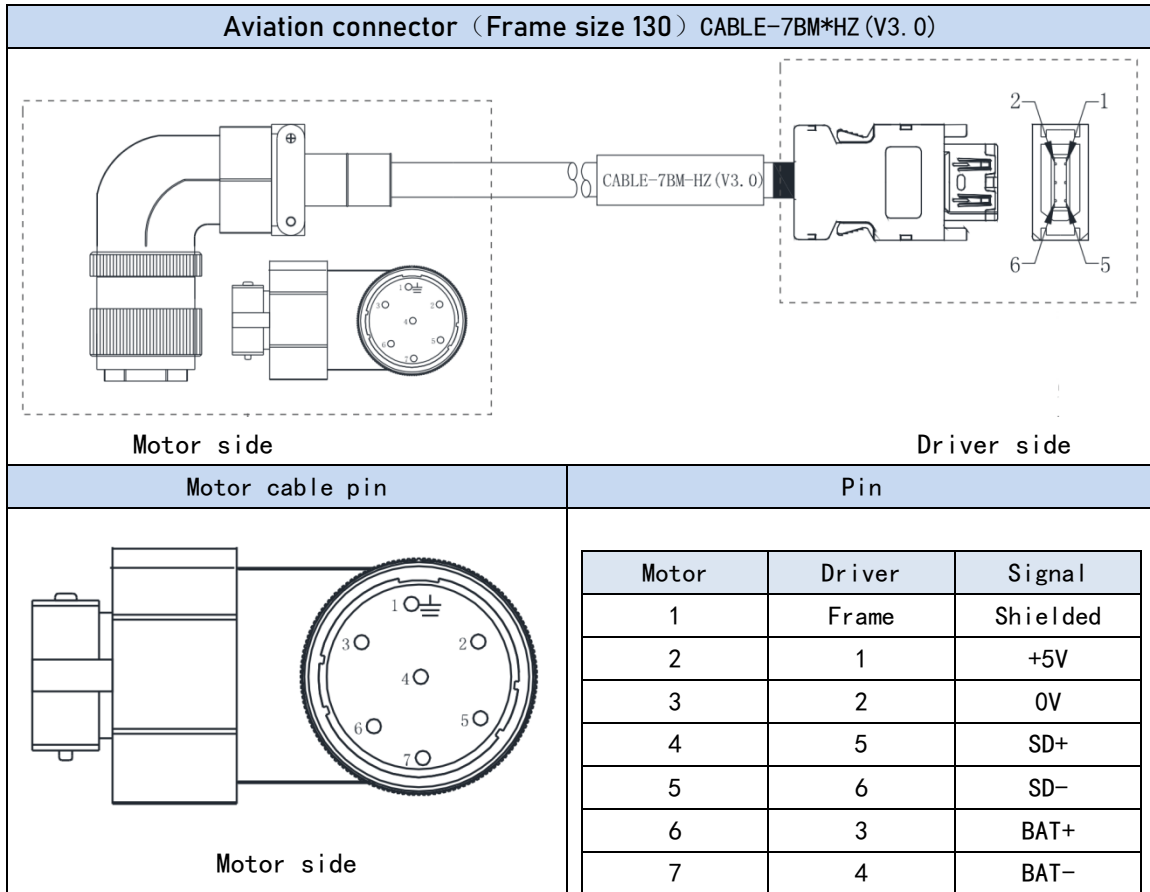
- Please ground both driver and motor PE terminals to avoid any servo alarms.
- It is recommended to use a shielded twisted pair cable not longer than 20m.
- Please leave a space of min. 30cm between motor power cable and encoder to avoid interference.

### Motor encoder cable selection

AMP electrical connector (Frame size 80 or below) CABLE-7BM\*-Z(V3.0)

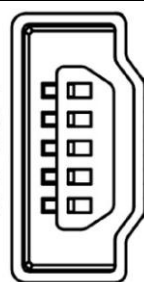
Motor cable pin	Pins		
 <p>9-pin connector</p> <p>Motor side</p>	Motor	Driver	Signal
	1	Frame	Shielded
	2	1	+5V
	3	2	0V
	4	5	SD+
	5	6	SD-
	6	3	BAT+
7	4	BAT-	

 <p style="text-align: center;">Driver side</p>																									
Aviation connector (Frame size 80 or below) CABLE-7BM*-HH2																									
 <p style="text-align: center;">Motor side</p>	 <p style="text-align: center;">Driver side</p>																								
Motor cable pin	Pin																								
 <p style="text-align: center;">Motor side</p>	<table border="1"> <thead> <tr> <th>Motor</th> <th>Driver</th> <th>Signal</th> </tr> </thead> <tbody> <tr> <td>1</td> <td>Frame</td> <td>Shielded</td> </tr> <tr> <td>2</td> <td>1</td> <td>+5V</td> </tr> <tr> <td>3</td> <td>2</td> <td>0V</td> </tr> <tr> <td>4</td> <td>5</td> <td>SD+</td> </tr> <tr> <td>5</td> <td>6</td> <td>SD-</td> </tr> <tr> <td>6</td> <td>3</td> <td>BAT+</td> </tr> <tr> <td>7</td> <td>4</td> <td>BAT-</td> </tr> </tbody> </table>	Motor	Driver	Signal	1	Frame	Shielded	2	1	+5V	3	2	0V	4	5	SD+	5	6	SD-	6	3	BAT+	7	4	BAT-
Motor	Driver	Signal																							
1	Frame	Shielded																							
2	1	+5V																							
3	2	0V																							
4	5	SD+																							
5	6	SD-																							
6	3	BAT+																							
7	4	BAT-																							
Direct connector(Frame size 80 or below) CABLE-BMAH*M*-124-TS Absolute encoder																									
 <p style="text-align: center;">Motor side</p>	 <p style="text-align: center;">Driver side</p>																								
Motor cable pin	Pin																								
 <p style="text-align: center;">Motor side</p>	<table border="1"> <thead> <tr> <th>Motor</th> <th>Driver</th> <th>Signal</th> </tr> </thead> <tbody> <tr> <td>1</td> <td>Frame</td> <td>Shielded</td> </tr> <tr> <td>2</td> <td>1</td> <td>+5V</td> </tr> <tr> <td>3</td> <td>2</td> <td>0V</td> </tr> <tr> <td>4</td> <td>5</td> <td>SD+</td> </tr> <tr> <td>5</td> <td>6</td> <td>SD-</td> </tr> <tr> <td>6</td> <td>3</td> <td>BAT+</td> </tr> <tr> <td>7</td> <td>4</td> <td>BAT-</td> </tr> </tbody> </table>	Motor	Driver	Signal	1	Frame	Shielded	2	1	+5V	3	2	0V	4	5	SD+	5	6	SD-	6	3	BAT+	7	4	BAT-
Motor	Driver	Signal																							
1	Frame	Shielded																							
2	1	+5V																							
3	2	0V																							
4	5	SD+																							
5	6	SD-																							
6	3	BAT+																							
7	4	BAT-																							



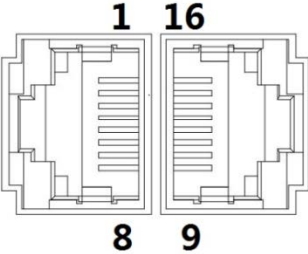
## 2.7 USB mini Communication Port

EL7-EC series servo drives can be connected to a PC using the USB mini communication port for data monitoring and parameters setting on Motion Studio. Can be done without connecting a power cable to the driver. If users are having problem connecting to PC, please try using a magnetic ring.

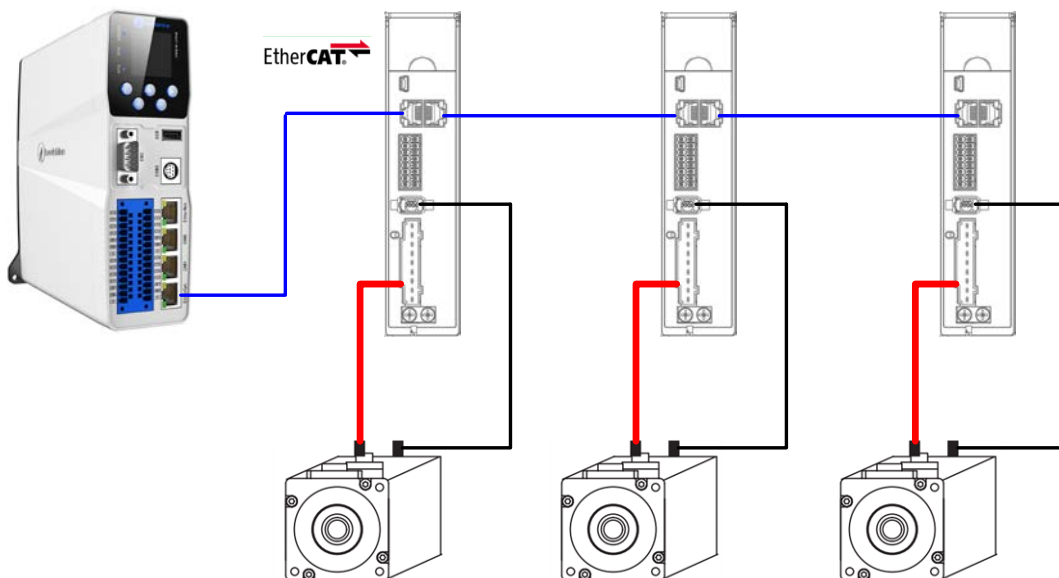
Connector	Port	Pin	Signal	Description
USB mini		1	VCC5V	Power supply 5V
		2	D+	USB data positive terminal
		3	D-	USB data negative terminal
		4	--	--
		5	GND	Power supply ground
		Frame	USB_GN D	Ground through capacitor

## 2.8 CN3/CN4 EtherCAT Communication Port

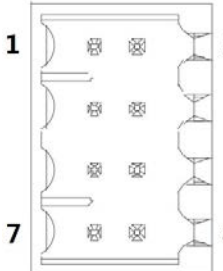
CN3 and CN4 are communication ports for EtherCAT protocol. LAN cable from master device will be connected to CN3 (IN) and CN4 (OUT) will be connected to the next slave device.

Port	Pin	Signal	Description
	1, 9	E_TX+	EtherCAT Data sending positive terminal
	2, 10	E_TX-	EtherCAT Data sending negative terminal
	3, 11	E_RX+	EtherCAT Data receiving positive terminal
	4, 12	--	--
	5, 13	--	--
	6, 14	E_RX-	EtherCAT Data receiving negative terminal
	7, 15	--	--
	8, 16	--	--
	Frame	PE	Shielded ground

Example of EtherCAT communication cable connections between master and slave devices



## 2.9 CN6 Safe Torque Off (STO) Port

Port	Pin	Signal	Description	Remarks
	1	24V	24v power supply	Connect to SF1 and SF2 when not in use. Do not use to supply power.
	2	0V	Reference ground	
	3	SF1+	Control signal 1 positive input	When SF1 = OFF or SF2 = OFF,STO is enabled.
	4	SF1-	Control signal 1 negative input	
	5	SF2+	Control signal 2 positive input	
	6	SF2-	Control signal 2 negative input	
	7	EDM+	External monitoring device (EDM) with differential double ended output	When SF1 = OFF and SF2 = OFF,EDM = ON
	8	EDM-		

### Introduction to Safe Torque Off (STO)

Function: Cut off motor current supply physically (through mechanical means)

STO module (CN6 connector) consists of 2 input channels. It cuts off the motor current supply by blocking of PWM control signal from the power module. When the motor current is cut off, the motor will still move under inertia and stops gradually.

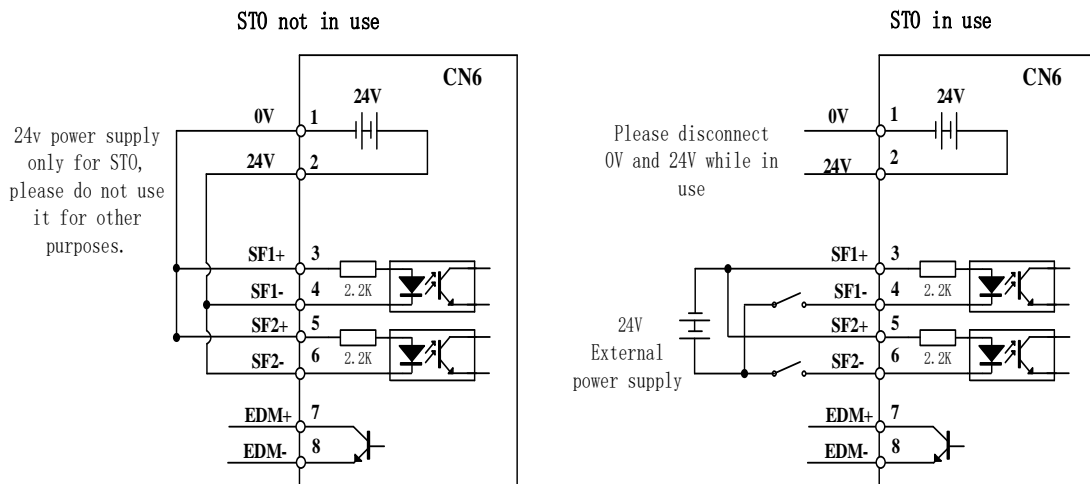
The STO function is set up ready to be used by factory default. Please remove STO connector if it is not needed.

### STO functional principle

STO module cuts off the motor current supply and stops motor gradually by blocking of PWM control signal from the power module through 2 isolated circuits. When a STO error occurs, the actual status of STO can be determined by the EDM status feedback.

SF1 Input Status	SF2 Input Status	EDM Output Status	PWM control signal	Alarm code
ON	ON	OFF	Normal	-
ON	OFF	OFF	Blocked	Er 1c2
OFF	ON	OFF	Blocked	Er 1c1
OFF	OFF	ON	Blocked	Er 1c0

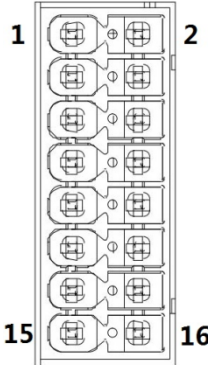
## STO wiring diagram



- *Please take precautions when enabling STO functions as servo drive will lose control over the motion of the motor. Motor might dropped under gravitational pull (vertically mounted load) or moved when external forces are applied to it. Alternatively, motor with holding brake can be chosen.*
- *STO is not meant to cut off the power supply of the servo drivers and motors completely. Please power off and wait for a few minutes before starting maintenance work.*
- *It is recommended to use an isolated power supply for STO signal input as any current leakage might cause STO malfunction.*

## 2.10 CN1 I/O Signal Port

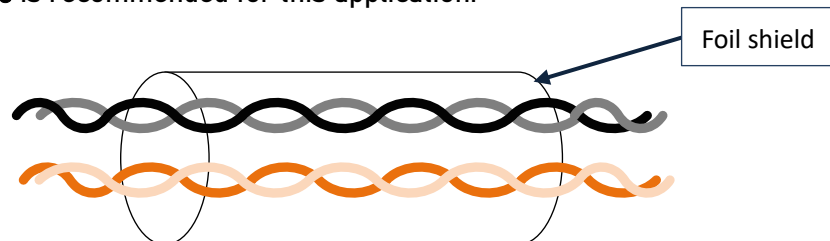
CN1 connector is a 16-pin spring loaded connector.

Port	Pin	Signal	Description	Remarks
	1	EXT1+	Probe 1 positive terminal	2 high speed probe inputs function
	2	EXT2+	Probe 2 positive terminal	
	3	NC	Reserved	
	4	NC	Reserved	
	5	EXT1-	Probe 1 negative terminal	
	6	EXT2-	Probe 2 negative terminal	
	7	DICOM	Common DI	Double-ended common DI Configurable Recommended voltage: 12VDC - 24VDC
	9	DI1	Reserved	
	11	DI2	POT: Positive limit switch	
	13	DI3	NOT: Negative limit switch	
	15	DI4	HOME: Homing done	
	8	D01	ALM: Alarm	D01,D02: Single-ended D03: Double-ended Configurable Recommended voltage: 12Vdc - 24Vdc, max 30V Recommended current: 10mA, max 50mA
	10	D02	BRK-OFF: Holding brake activated	
	12	D03+	INP: Positioning completed	
	14	D03-		
	16	DOCOM	Common DO	

### 2.10.1 Selection of I/O signal cable

#### I/O signal cable

To ensure I/O signal to not be affected by electromagnetic interference, a **shielded twisted pair cable** is recommended for this application.



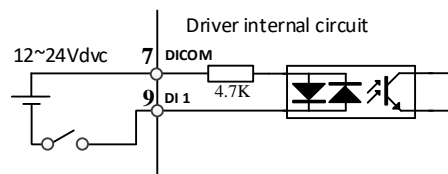
- Wire diameter  $\geq 0.14\text{mm}^2$ , foil shielded should be connected to PE terminal.
- Wire length should be as short as possible, not more than 3m.
- Install a surge suppressor in feedback circuit; flyback diode inversely connected in parallel in DC coil and capacitor connected in parallel in AC coil.



- Recommended wire gauge: 24 - 26AWG
- I/O signal included DI, DO and relay output signal
- Please keep 30cm away from main power supply cable or motor power cable to avoid electromagnetic interference.

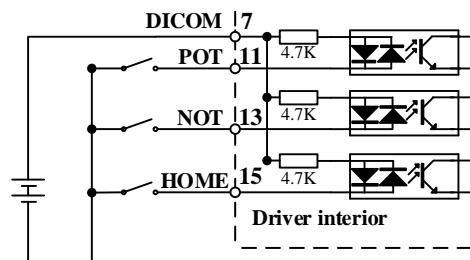
## 2.10.2 Common input circuit

The internal circuit of common input is a bidirectional optocoupler which supports common anode and common cathode configurations. There are 2 types of outputs from master device: Relay output and Open Collector output as shown below.

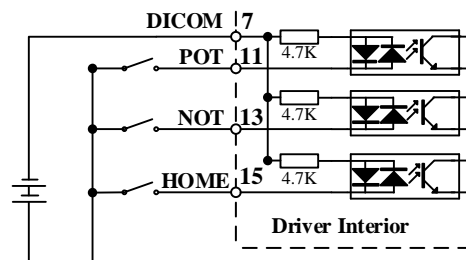


### ① Output from master device: Relay

Common anode:

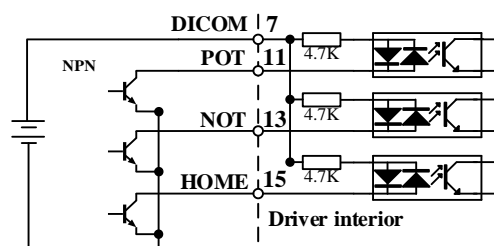


Common cathode:

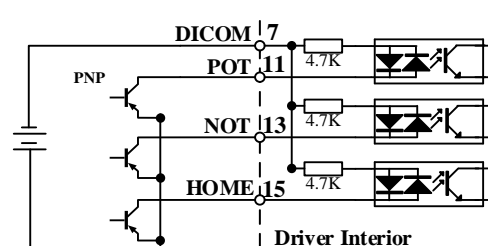


### ② Output from master device: Open Collector

NPN configuration:



PNP configuration:

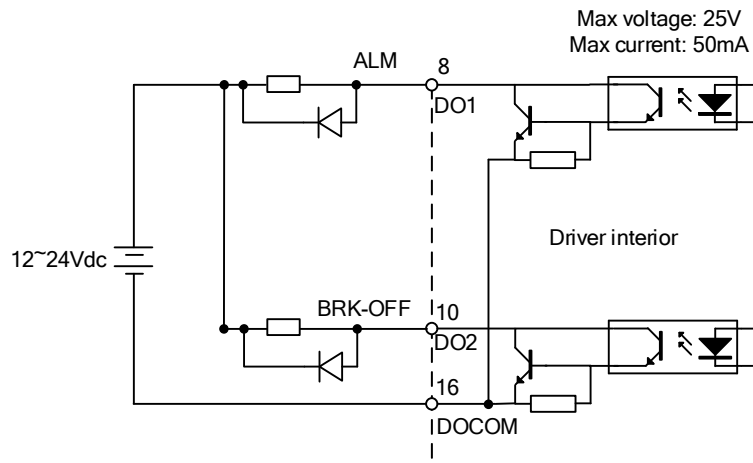


*Please prepare switching power supply with output of 12-24VDC, current  $\geq 100\text{mA}$ ;*

### 2.10.3 Common output circuit

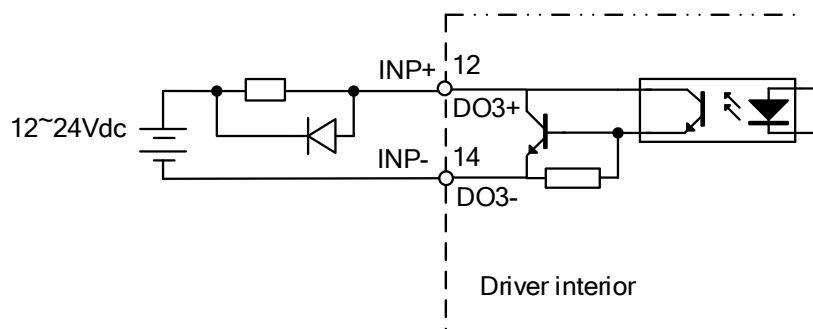
There are 3 common outputs: D01 and D02 are single-ended, sharing a common power supply ground terminal; D03+/D03- is double-ended, having an isolated 24v power supply.

#### Single-ended D01 & D02



Please install flyback diodes (as shown in diagram above) if the output is through a relay or other inductive load to prevent damage to DO ports.

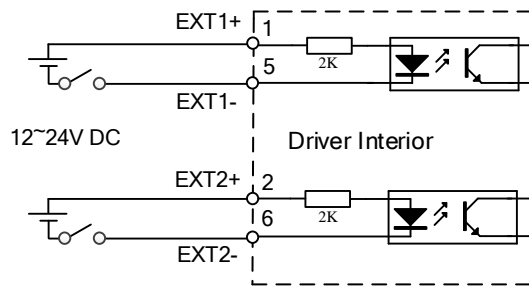
#### Double-ended D03+ & D03-



- Power supply is provided by user. Please be aware that reversed power supply polarity might cause damage to the driver.
- When it is an open collector output, max current: 50mA, max supplying voltage: 25V. Please ensure the switching power supply fulfills the conditions.
- If the load is an inductive load such as a relay, please connect a flyback diode in parallel in reverse. A wrong installation of the flyback diode might cause damage to the driver.

## 2.10.4 Probe input circuit

The internal circuit of probe input is a unidirectional optocoupler. Please be aware of the polarity of the terminal when connecting the cables.



## 2.10.5 DI signal function configuration

Table 2-8 Default DI signal functions

CN1 Pin	Signal	Parameter	Default function	Factory default		
				Set Value	Polarity	Status
9	DI1	Pr4.00	User defined function	0x0	NO	OFF
11	DI2	Pr4.01	Positive limit switch (POT)	0x1	NO	OFF
13	DI3	Pr4.02	Negative limit switch (NOT)	0x2	NO	OFF
15	DI4	Pr4.03	Home switch (HOME)	0x16	NO	OFF

\*\*NO: Normally Open

- When limit switch or emergency stop is used, POT, NOT and E-STOP signal will be normally close (NC) by default. Please make sure there is no safety concern if these signals need to be set to normally open (NO).

### Relevant parameters

Pr4.00	Name	Input selection DI1			Mode						F
	Range	0x0~0xFF	Unit	—	Default	0x0	Index	2400h			
	Activation	Immediate									
Pr4.01	Name	Input selection DI2			Mode						F
	Range	0x0~0xFF	Unit	—	Default	0x1	Index	2401h			
	Activation	Immediate									
Pr4.02	Name	Input selection DI3			Mode						F
	Range	0x0~0xFF	Unit	—	Default	0x2	Index	2402h			
	Activation	Immediate									

<b>Pr4.03</b>	Name	Input selection DI4			Mode					<b>F</b>
	Range	0x0~0xFF	Unit	—	Default	0x16	Index		2403h	
	Activation	Immediate								

**Digital input DI allocation using hexadecimal system**

Input	Symbol	Set value		0x60FD(bit)
		Normally open	Normally close	
Invalid	—	0h	-	×
Positive limit switch	POT	1h	81h	Bit1
Negative limit switch	NOT	2h	82h	Bit0
Servo on	SRV-ON	3h	83h	×
Clear alarm	A-CLR	4h	-	×
Control mode switching	C-MODE	5h	85h	×
Gain switching	GAIN	6h	86h	×
Clear deviation counter	CL	7h	-	×
Command pulse inhibition	INH	8h	88h	×
Torque limit switching	TL-SEL	9h	89h	×
Command pulse divider/multiplier switching	DIV1	Ch	8ch	×
Speed 1 of internal velocity command	INTSPD1	Eh	8Eh	×
Speed 2 of internal velocity command	INTSPD2	Fh	8Fh	×
Speed 3 of internal velocity command	INTSPD3	10h	90h	×
Zero speed clamp	ZEROSPD	11h	91h	×
Velocity command sign	VC-SIGN	12h	92h	×
Torque command sign	TC-SIGN	13h	93h	×
Forced alarm	E-STOP	14h	94h	×
Home switch	HOME-SWITCH	16h	96h	Bit2

- Please don't set anything other than listed in table above.
- Normally open: Valid when input = ON Normally close: Valid when input = OFF
- Er210 might occur if same function is allocated to different channels at the same time
- Channel that has no value doesn't affect driver motion.
- Front panel is of hexadecimal system.
- Pr4.00 – Pr4.03 corresponds to DI1 – DI4. External sensors can be connected if the parameters are all set to 0. Controller will read 60FD bit4 – 7 to get DI1 – DI4 actual status.

## 2.10.6 DO signal function configuration

**Table 2-9 DO signal functions by default**

CN1 Pin	Signal	Parameter	Default function	Factory default		
				Set Value	Polarity	Status
8	D01	Pr4.10	Alarm (ALM)	0x01	NO	OFF
10	D02	Pr4.11	External brake released (BRK-OFF)	0x03	NO	OFF
12/14	D03	Pr4.12	Positioning complete (INP)	0x04	NO	OFF

\*\* NO: Normally Open

### Relevant parameters

Pr4.10	Label	Output selection D01			Mode							F
	Range	0x0~0xFF	Unit	—	Default	0x1	Index		2410h			
	Activation	Immediate										
Pr4.11	Label	Output selection D02			Mode							F
	Range	0x0~0xFF	Unit	—	Default	0x3	Index		2411h			
	Activation	Immediate										
Pr4.12	Label	Output selection D03			Mode							F
	Range	0x0~0xFF	Unit	—	Default	0x4	Index		2412h			
	Activation	Immediate										

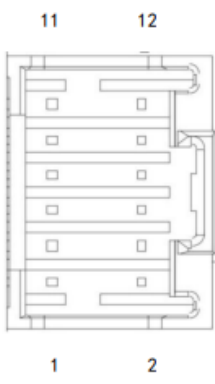
Digital output DO allocation using hexadecimal system.

Output	Symbol	Set value	
		Normally open	Normally close
Master device control	—	00h	-
Alarm	ALM	01h	81h
Servo-Ready	S-RDY	02h	82h
External brake released	BRK-OFF	03h	83h
Positioning completed	INP	04h	84h
At-speed	AT-SPEED	05h	85h
Torque limit signal	TLC	06h	86h
Zero speed clamp detection	ZSP	07h	87h
Velocity coincidence	V-COIN	08h	88h
Servo status	SRV-ST	12h	92h
Positive limit	POT-OUT	15h	95h
Negative limit	NOT-OUT	16h	96h
Position command ON/OFF	P-CMD	0Bh	8Bh
Velocity limit signal	V-LIMIT	0Dh	8Dh
Velocity command ON/OFF	V-CMD	0Fh	8Fh
Homing done	HOME-OK	22h	A2h

- Please don't set any other than the outputs listed in the table above.

- Normally open: Active low
- Normally close: Active high
- Front panel is of hexadecimal system.
- Pr4.10 – Pr4.12 corresponds to D01 – D03. If all parameters are set to 0, master device controls the outputs, object dictionary 0x60FE sub-index 01 bit16-18 corresponds to D01-D03.

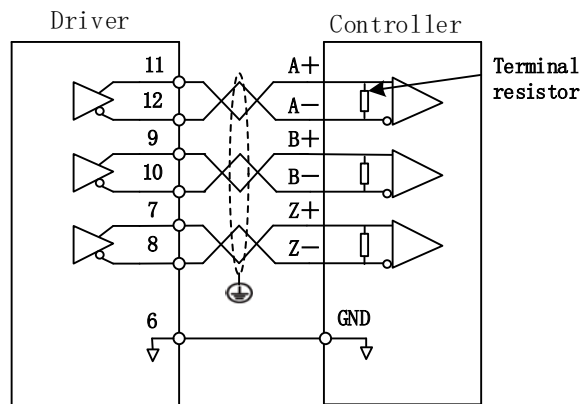
## 2.11 CN5 Frequency divider pulse output port

Port	Diagram	Pin	Signal	Label
CN5		11	A+	Motor encoder phase A frequency divider output
		12	A-	
		9	B+	Motor encoder phase B frequency divider output
		10	B-	
		7	Z+	Motor encoder phase Z frequency divider output
		8	Z-	
		5	OCZ	Motor encoder Z-signal OC output
		6	GND	Motor encoder Z-signal OF output reference ground
		3	/	/
		4	/	/
		1	PE	Shield grounding
		2	/	/

*\*Please use stranded shielded cable  $\geq 0.14\text{mm}^2$  with shield foil grounded to PE terminal.*

*\*\*Keep it shorter than 3 meters and away from any power cables.*

Encoder signal after frequency divider circuit is output as differential signal. It provides feedback signal for controller using position control mode. Please use differential or optocoupler receiving circuit for controller. A terminal resistor needs to be installed in the differential signal input circuit. Resistance of the terminal resistor is as accordance to actual use.



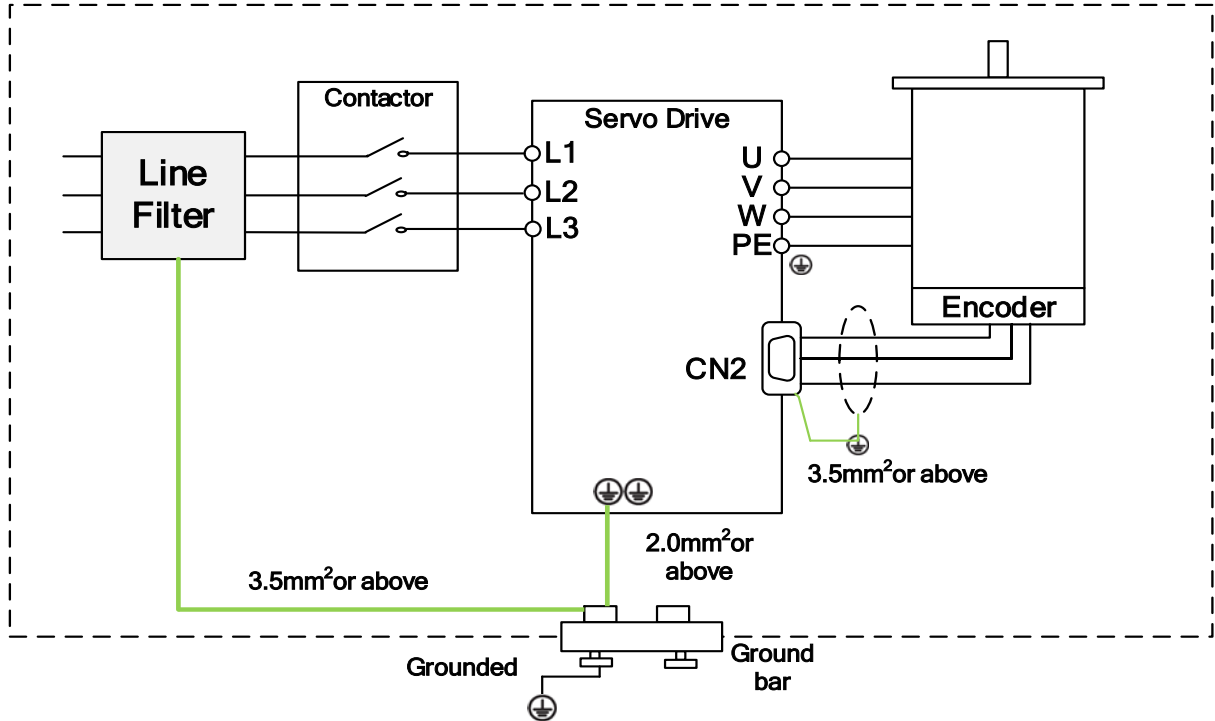
If controller input circuit is not an optocoupler input circuit but a differential receiving circuit, please connect CN5 pin 6 (OC reference ground) to GND of controller differential receiving circuit.

## 2.12 Measures against electromagnetic interference

To reduce interference, please take the following measures:

- I/O signal cable > 3m; Encoder cable > 20m
- Use cable with larger diameter for grounding
  - ① Grounding resistance > 100Ω
  - ② When there are multiple drivers connected in parallel, PE terminal of the main power supply and ground terminal of servo drives must be connected to copper ground bar in the electrical cabinet and the copper ground bar needs to be connected to the metal frame of the cabinet.
- Please install a line filter on main power supply cable to prevent interference from radio frequency.
- In order to prevent malfunctions caused by electromagnetic interference, please take following measures:
  - ① Install master device and line filter close to the servo drive
  - ② Install surge suppressor for relay and contactor
  - ③ Please separate signal/encoder cable from power cable with a space of at least 30cm
  - ④ Install a line filter for the main power supply if a device with high frequency generation such as a welding machine exists nearby

## 2.12.1 Grounding connection and other anti-interference wiring connections

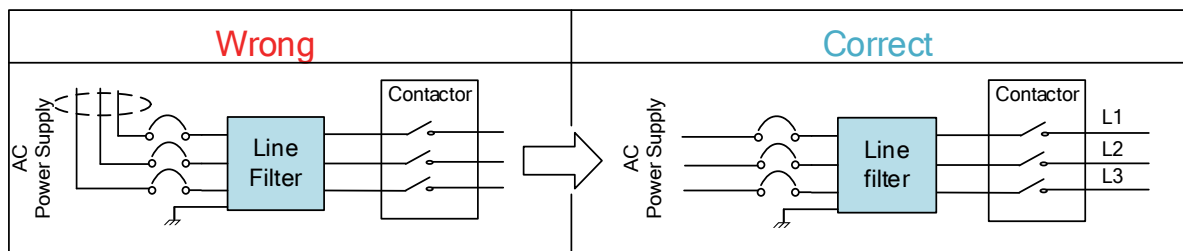


- Servo motor frame should be grounded. Please connect the PE terminal of servo motor and servo drive and ground them together to reduce interference.
- Ground both ends of the foil shield of encoder cable.

## 2.12.2 Using line filter

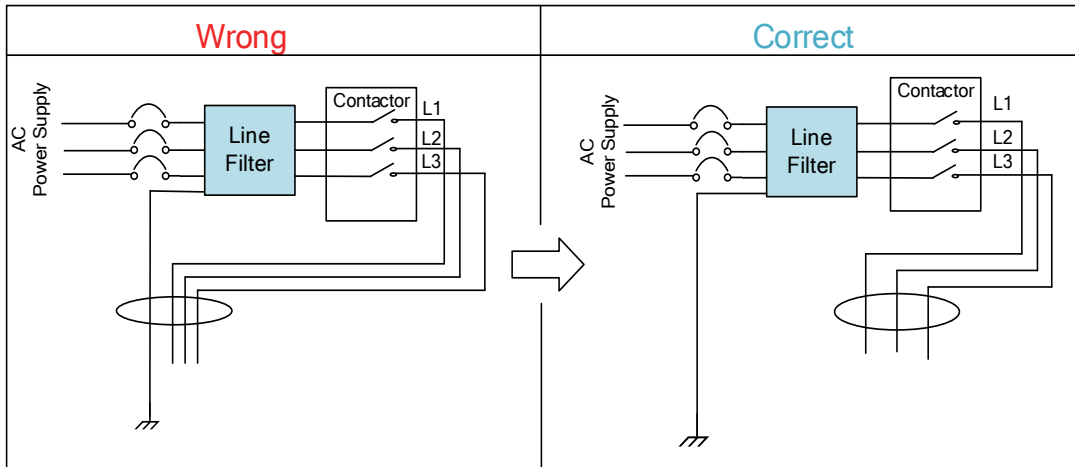
To reduce interference from main power supply cable and to prevent from affecting other sensitive components around the servo drive, please choose a line filter based on actual supply current. Please do be aware of the following mistake when installing a line filter.

Do not band the main power supply cable together.

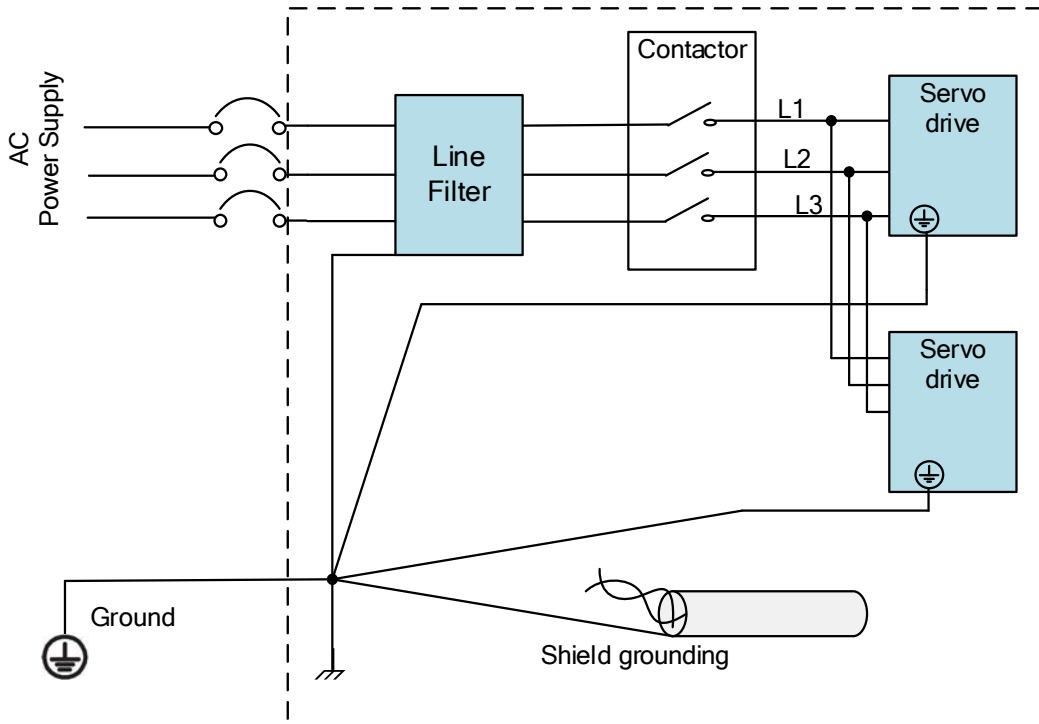




Separate the ground wire from the line filter and the main power supply cable.




Ground wires inside an electrical cabinet



## Chapter 3 Parameter

### 3.1 Parameter List

- Panel Display as follows:

classify and code 
 number

- Parameter Valid mode Description  
 CSP: Valid in cyclic synchronous position mode  
 CSV: Valid in cyclic synchronous velocity mode  
 CST: Valid in cyclic synchronous torque mode  
 HM: Valid in homing mode  
 PP: Valid in profile position mode  
 PV: Valid in profile velocity mode  
 PT: Valid in profile torque mode  
 F: Valid in all modes

#### 3.1.1 Servo drive parameters

Class	Label	EtherCAT Address	Panel display	Activation	Valid Mode						
[Class 0] Basic settings	Model-following bandwidth	2000h	PR_000	Immediate							F
	Control Mode Settings	2001h	PR_001	After restart							F
	Real time Auto Gain Adjusting	2002h	PR_002	Immediate							F
	Real time auto stiffness adjusting	2003h	PR_003	Immediate							F
	Inertia ratio	2004h	PR_004	Immediate							F
	Command polarity inversion	2006h	PR_006	After restart							F
	Probe signal polarity settings/Command pulse input mode settings	2007h	PR_007	After restart							F
	Command pulse counts per revolution	2008h	PR_008	After restart	PP	PV		H M	CSP	CSV	
	Encoder pulse output per revolution	2011	PR_011	After restart							F
	Pulse output logic	2012	PR_012	After restart							F

Class	Label	EtherCAT Address	Panel display	Activation	Valid Mode							
	inversion											
	1 <sup>st</sup> Torque Limit	2013h	PR_013	Immediate								F
	Excessive Position Deviation Settings	2014h	PR_014	Immediate	PP			H M	CSP			
	Absolute Encoder settings	2015h	PR_015	After restart								F
	Regenerative resistance	2016h	PR_016	Immediate								F
	Regenerative resistor power rating	2017h	PR_017	Immediate								F
	Friction compensation setting	2019h	PR_019	Immediate								F
	EtherCAT slave ID	2023h	PR_023	After restart								F
	Source of slave ID	2024h	PR_024	After restart								F
	Synchronous compensation time 1	2025h	PR_025	After restart						CSP		
	Synchronous compensation time 2	2026h	PR_026	After restart						CSP		
	Synchronization mode command delay cycle counts	2027h	PR_027	After restart						CSP		
	CSP mode safe self-running position setting	2028h	PR_028	Immediate						CSP		
	I Class 11 Gain adjustments	1 <sup>st</sup> position loop gain	2100h	PR_100	Immediate	PP			H M	CSP		
1 <sup>st</sup> velocity loop gain		2101h	PR_101	Immediate								F
1 <sup>st</sup> Integral Time Constant of Velocity Loop		2102h	PR_102	Immediate								F
1 <sup>st</sup> velocity detection filter		2103h	PR_103	Immediate								F
1 <sup>st</sup> Torque Filter Time Constant		2104h	PR_104	Immediate								F
2 <sup>nd</sup> Position Loop Gain		2105h	PR_105	Immediate	PP			H M	CSP			
2 <sup>nd</sup> velocity loop gain		2106h	PR_106	Immediate								F
2 <sup>nd</sup> Integral Time Constant of Velocity Loop		2107h	PR_107	Immediate								F
2 <sup>nd</sup> velocity detection filter		2108h	PR_108	Immediate								F
2 <sup>nd</sup> Torque Filter Time Constant		2109h	PR_109	Immediate								F
Velocity feed forward gain		2110h	PR_110	Immediate	PP			H M	CSP			
Velocity feed forward filter time constant		2111h	PR_111	Immediate	PP			H M	CSP			
Torque feed forward gain		2112h	PR_112	Immediate	PP	PV		H M	CSP	CSV		
Torque feed forward filter time constant		2113h	PR_113	Immediate	PP	PV		H M	CSP	CSV		
Position control gain		2115h	PR_115	Immediate								F

Class	Label	EtherCAT Address	Panel display	Activation	Valid Mode					
	switching mode									
	Position control gain switching level	2117h	PR_117	Immediate						F
	Hysteresis at position control switching	2118h	PR_118	Immediate						F
	Position gain switching time	2119h	PR_119	Immediate						F
	Position command pulse filter time	2135h	PR_135	Immediate						F
[Class 2] Vibration suppression	Adaptive filtering mode settings	2200h	PR_200	Immediate						F
	1 <sup>st</sup> notch frequency	2201h	PR_201	Immediate						F
	1 <sup>st</sup> notch bandwidth selection	2202h	PR_202	Immediate						F
	1 <sup>st</sup> notch depth selection	2203h	PR_203	Immediate						F
	2 <sup>nd</sup> notch frequency	2204h	PR_204	Immediate						F
	2 <sup>nd</sup> notch bandwidth selection	2205h	PR_205	Immediate						F
	2 <sup>nd</sup> notch depth selection	2206h	PR_206	Immediate						F
	3 <sup>rd</sup> notch frequency	2207h	PR_207	Immediate						F
	3 <sup>rd</sup> notch bandwidth selection	2208h	PR_208	Immediate						F
	3 <sup>rd</sup> notch depth selection	2209h	PR_209	Immediate						F
[Class 2] Vibration suppression	1 <sup>st</sup> damping frequency	2214h	PR_214	Immediate						F
	2 <sup>nd</sup> damping frequency	2216h	PR_216	Immediate						F
	Position command smoothing filter	2222h	PR_222	Keep stop						F
	Position command FIR filter	2223h	PR_223	Disable	PP			H M	CSP	
	5 <sup>th</sup> resonant frequency	2231h	PR_231	Immediate	PP			H M	CSP	
	5 <sup>th</sup> resonant Q value	2232h	PR_232	Immediate						F
	5 <sup>th</sup> anti-resonant frequency	2233h	PR_233	Immediate						F
	5 <sup>th</sup> anti-resonant Q value	2234h	PR_234	Immediate						F
	6 <sup>th</sup> resonant frequency	2235h	PR_235	Immediate						F
	6 <sup>th</sup> resonant Q value	2236h	PR_236	Immediate						F
[Class 2] Vibration suppression	6 <sup>th</sup> anti-resonant frequency	2237h	PR_237	Immediate						F
	6 <sup>th</sup> anti-resonant Q value	2238h	PR_238	Immediate						F
	Internal/External settings of velocity settings	2300h	PR_300	Immediate						F
	Velocity command	2301h	PR_301	Immediate		PV				CSV

Class	Label	EtherCAT Address	Panel display	Activation	Valid Mode						
[Class 3] Velocity/ Torque control	rotational direction selection										
	Velocity command input gain	2302h	PR_302	Immediate		PV				CSV	
	Velocity command input inversion	2303h	PR_303	Immediate		PV				CSV	
	1 <sup>st</sup> speed of velocity setting	2304h	PR_304	Immediate		PV				CSV	
	2 <sup>nd</sup> speed of velocity setting	2305h	PR_305	Immediate		PV				CSV	
	3 <sup>rd</sup> speed of velocity setting	2306h	PR_306	Immediate							F
	4 <sup>th</sup> speed of velocity setting	2307h	PR_307	Immediate							F
	5 <sup>th</sup> speed of velocity setting	2308h	PR_308	Immediate							F
	6 <sup>th</sup> speed of velocity setting	2309h	PR_309	Immediate							F
	7 <sup>th</sup> speed of velocity setting	2310h	PR_310	Immediate							F
	8 <sup>th</sup> speed of velocity setting	2311h	PR_311	Immediate							F
	Acceleration time settings	2312h	PR_312	Immediate							F
	Deceleration time settings	2313h	PR_313	Immediate	PP			H M	CSP		
	Sigmoid acceleration/deceleration settings	2314h	PR_314	Disable	PP			H M	CSP		
	Zero speed clamp function selection	2315h	PR_315	Immediate	PP			H M	CSP		
	Zero speed clamp level	2316h	PR_316	Immediate							F
	Internal/External settings of torque	2317h	PR_317	Immediate		PV					CSV
	Torque command direction selection	2318h	PR_318	Immediate		PV					CSV
	Velocity limit value in torque mode	2321h	PR_321	Immediate							F
	Torque limit value in torque mode	2322h	PR_322	Immediate							F
Zero speed clamp static time	2323h	PR_323	Immediate							F	

Class	Label	EtherCAT Address	Panel display	Activation	Valid Mode							
	Maximum motor rotational velocity	2324h	PR_324	Immediate							F	
[Class 4] I/O interface	Input selection DI1	2400h	PR_400	Immediate							F	
	Input selection DI2	2401h	PR_401	Immediate							F	
	Input selection DI3	2402h	PR_402	Immediate							F	
	Input selection DI4	2403h	PR_403	Immediate							F	
	Output selection D01	2410h	PR_410	Immediate							F	
	Output selection D02	2411h	PR_411	Immediate							F	
	Output selection D03	2412h	PR_412	Immediate							F	
	Positioning complete range	2431h	PR_431	Immediate							F	
	Positioning complete output setting	2432h	PR_432	Immediate	PP			H M	CSP			
	INP positioning delay time	2433h	PR_433	Immediate							F	
	Zero speed	2434h	PR_434	Immediate							F	
	Velocity coincidence range	2435h	PR_435	Immediate							F	
	Arrival velocity	2436h	PR_436	Immediate							F	
	Motor power-off delay time	2437h	PR_437	Immediate							F	
	Delay time for holding brake release	2438h	PR_438	Immediate							F	
Holding brake activation speed	2439h	PR_439	Immediate							F		
[Class 5] Extension settings	Emergency stop function	2443h	PR_443	Immediate	PP			H M	CSP			
	2 <sup>nd</sup> pulse count per revolution	2500h	PR_500	After restart	PP			H M	CSP			
	2 <sup>nd</sup> Command frequency divider/multiplier numerator	2501h	PR_501	After restart	PP			H M	CSP			
	2 <sup>nd</sup> Command frequency divider/multiplier denominator	2502h	PR_502	After restart							F	
	Driver prohibition input settings	2504h	PR_504	Immediate							F	
	Servo-off mode	2506h	PR_506	After restart							F	
	Main power-off detection time	2509h	PR_509	Immediate							F	
	Servo-off due to alarm mode	2510h	PR_510	After restart							F	
	Servo braking torque setting	2511h	PR_511	Immediate							F	

Class	Label	EtherCAT Address	Panel display	Activation	Valid Mode						
	Overload level setting	2512h	PR_512	Immediate							F
	Overspeed level settings	2513h	PR_513	Immediate							F
	I/O digital filter	2515h	PR_515	Immediate							F
	Counter clearing input mode	2517h	PR_514	Immediate							F
	Position unit settings	2520h	PR_520	Disable							F
	Torque limit selection	2521h	PR_521	Immediate							F
	2 <sup>nd</sup> torque limit	2522h	PR_522	Immediate							F
	Positive torque warning threshold	2523h	PR_523	Immediate	PP			H M	CSP		
	Negative torque warning threshold	2524h	PR_524	Immediate							F
	LED initial status	2528h	PR_528	After restart							F
	Max. command pulse input frequency	2532h	PR_532	Immediate							F
[Class 6] Other settings	Encoder zero position compensation	2601h	PR_601	After restart							F
	JOG trial run velocity command	2604h	PR_604	Immediate							F
	Position 3 <sup>rd</sup> gain valid time	2605h	PR_605	Immediate	PP			H M	CSP		
	Position 3 <sup>rd</sup> gain scale factor	2606h	PR_606	Immediate	PP			H M	CSP		
	Torque command additional value	2607h	PR_607	Immediate							F
	Positive direction torque compensation value	2608h	PR_608	Immediate							F
	Negative direction torque compensation value	2609h	PR_609	Immediate							F
	Current response settings	2611h	PR_611	Immediate							F
	Max. time to stop after disabling	2614h	PR_614	Immediate							F
	Trial run distance	2620h	PR_620	Immediate							F
	Trial run waiting time	2621h	PR_621	Immediate							F
	No. of trial run cycles	2622h	PR_622	Immediate							F
	Trial run acceleration	2625h	PR_625	Immediate							F
	Velocity observer gain	2628h	PR_628	Immediate							F
	Velocity observer bandwidth	2629h	PR_629	Immediate							F
	Frame error window time	2634h	PR_634	Immediate							F
	Frame error window	2635h	PR_635	Immediate							F

Class	Label	EtherCAT Address	Panel display	Activation	Valid Mode					
					PP			H M	CSP	
	Absolute value rotation mode denominator setting	2654h	PR_654	After restart	PP			H M	CSP	
	Blocked rotor alarm torque threshold	2656h	PR_656	Immediate						F
	Blocked rotor alarm delay time	2657h	PR_657	Immediate						F
	Homing mode position threshold	2659h	PR_659	Immediate						F
	Z signal holding time	2661h	PR_661	Immediate						F
	Absolute multiturn data upper limit	2663h	PR_663	After restart						F

### 3.1.2 Manufacturer parameters

Index	Sub index	Label	Unit	Default	Min	Max	Details
5004	01	RPDO length		8	0	64	
	02	TPDO length		17	0	64	
	03	The number of RPDO		1	0	4	
	04	The number of TPDO		1	0	2	
	05	Sync0 Watchdog counter		0	0	65535	
	06	Reserved			0	65535	
	07	Sync0 Watchdog limit		4	0	65535	73B alarm threshold value. Set = 0 to deactivate limit
	08	Sync0 Drift watchdog counter		0	0	65535	
	09	Sync0 Drift watchdog limit		4	0	65535	73C alarm threshold value. Set = 0 to deactivate limit
	0A	SM2 watchdog counter		0	0	65535	
	0B	SM2 Watchdog limit		4	0	65535	73A alarm threshold value. Set = 0 to deactivate limit
	0C	Application layer SM2/Sync0 watchdog counter		0			
	0D	Application layer SM2/Sync0 watchdog limit		4			
	0E	Reserved			0	500	
	0F	Time interval between SM2 and Sync0	ns	0	0	100000000	832h Alarm detection
5006	00	Synchronous alarm setting		0xFFFF	0	0xFFFF	Bit0:818h Alarm enable switch Bit1: 819h



							Bit2: 81Ah Bit3: 824h Bit4: 825h Bit5: Reserved Bit6: Reserved Bit7: 82Ch Bit8: 82Dh Bit9: 832h Bit10~15: Reserved Notes: 0 invalid; 1 valid		
5010	00	PDO watchdog overtime	ms	0	0	60000	0: invalid; > 0: valid; Unit: ms; Such as RPDO timeout alarm 818h, TPDO timeout alarm 819h		
5012	04	Homing setting	-	5	Bit0: Abnormal signal protection 0: invalid; 1: valid Bit1: pull back if overtravel while final stop 0: invalid; 1: valid Bit2/Bit3:				
					Bit2	Bit3	Positive limit position	Negative limit position	Feedback after the homing process
					0	0	607D-02 + 607C	607D-01 + 607C	6064 = 607C
					0	1	607D-02 - 607C	607D-01 - 607C	6064 = -607C
					1	-	607D-02	607D-01	6064 = 0
Bit4: Deal with Overtravel between the high speed and low speed during homing process 0: Homing process error (set 6041h bit13=1); 1: As normal, continue homing process									
5400	01	Set synchronization cycle minimum value	us	250	125	1000			
5400	02	Set synchronization cycle maximum value	us	10000	4000	20000			
5500	01	Absolute encoder multiturn number	r	-	-	-	-		
	02	Encoder single turn position	Pulse	-	-	-	-		
	03	Encoder feedback position 32 bit low	Pulse	-	-	-	-		
	04	Encoder feedback position 32 bit high	Pulse	-	-	-	-		
	05	The actual mechanical position 32 bit low	Unit	-	-	-	-		
	06	The actual mechanical	Unit	-	-	-	-		

		position 32 bit high					
	07	Number of encoder communication exceptions		-	-	-	-
5501	01	Motor Speed	r/min	-	-	-	-
	02	Speed of position command	r/min	-	-	-	-
	03	Speed command	r/min	-	-	-	-
	04	Actual torque	0.1%	-	-	-	-
	05	Torque command	0.1%	-	-	-	-
	06	Relative position error	Pulse	-	-	-	-
	07	Internal position command	Pulse	-	-	-	-
	08	Overload ratio	0.1%	-	-	-	-
	09	Discharge load rate	0.1%	-	-	-	-
	0A	Inertia ratio	%	-	-	-	-
	0B	Actual positive torque limit value	0.1%	-	-	-	-
	0C	Actual negative torque limit value	0.1%	-	-	-	-
	0D	U phase current detect value	0.1%	-	-	-	-
0E	W phase current detect value	0.1%	-	-	-	-	
5502	01	DI input signal	-	-	-	-	-
	02	SO output signal	-	-	-	-	-
	03	Reserved	-	-	-	-	-
	04	Reserved	-	-	-	-	-
	05	Bus voltage	V	-	-	-	-
	06	Temperature	°C	-	-	-	-
	07	Power on time	S	-	-	-	-

### 3.1.3 Motion parameters starting with object dictionary 6000

Index	Sub-index	Label	Unit	Default	Min	Max	Mode
603F	0	Error code	-	0x0	0x0	0xFFFF	F
6040	0	Control word	-	0x0	0x0	0xFFFF	F
6041	0	Status word	-	0x0	0x0	0xFFFF	F
605A	0	Quick stop option code	-	2	0	7	F
605B	0	Motor deceleration-stopping mode selection	-	0	0	1	F
605C	0	Axis disabled-stopping mode selection	-	0	0	1	F
605D	0	Pause-stopping mode selection	-	1	1	3	F

605E	0	Alarm - stopping mode selection	-	0	0	2	F
6060	0	Operation mode selection	-	8	1	11	F
6061	0	Operation mode display	-	0	0	10	F
6062	0	Position command	Command unit	0	-214748 3648	2147483 647	CSP/P P/HM
6063	0	Actual internal position	Encoder unit	0	-214748 3648	2147483 647	F
6064	0	Actual position feedback	Command unit	-	-214748 3648	2147483 647	F
6065	0	Position deviation window	Command unit	30000	0	2147483 647	PP/CS P/HM
6066	0	Position deviation detection time	ms	10	0	65535	PP/CS P/HM
6067	0	Position window	Command unit/s	0	0	2147483 647	PP/CS P/HM
6068	0	Position window time	ms	0	0	65535	PP/CS P/HM
606B	0	Internal command velocity	Command unit/s	0	-214748 3648	2147483 647	CSV/P V
606C	0	Velocity feedback	Command unit/s	0	-214748 3648	2147483 647	PP/CS P/HM
606D	0	Velocity window	Command unit /s	10	0	65535	PV/CS V
606E	0	Velocity window time	ms	0	0	65535	PV/CS V
606F	0	Zero-speed threshold	Command unit/s	10	0	65535	PV/CS V
6071	0	Target torque	0.001	0	-32768	32767	CST/PT
6072	0	Maximum torque	0.001	3000	0	65535	F
6073	0	Maximum current	0.001	3000	-	65535	F
6074	0	Internal command torque	0.001	0	-32768	32767	F
6075	0	Motor current rating	mA	3000	0	2147483 647	F
6077	0	Actual torque	0.1%	0	-32768	32767	F
6079	0	DC bus voltage	mV	0	0	2147483 647	F
607A	0	Target position	Command unit	0	-214748 3648	2147483 647	CSP/P P
607C	0	Homing position offset	Command unit	0	-214748 3648	2147483 647	HM
607D	1	Min. software limit	Command unit	0	-214748 3648	2147483 647	CSP/P P
	2	Max. software limit	Command unit	0	-214748 3648	2147483 647	CSP/P P
607E	0	Motor rotational direction	-	0x0	0x0	0xFF	F
607F	0	Maximum protocol velocity	Command unit /s	214748 3647	0	2147483 647	PP/HM /PV/CS T
6080	0	Maximum motor velocity	r/min	6000	0	2147483 647	F
6081	0	Protocol velocity	Command unit /s	10000	0	2147483 647	PP


6083	0	Protocol acceleration	Command unit /s <sup>2</sup>	10000	1	2147483 647	PP/PV/
6084	0	Protocol deceleration	Command unit /s <sup>2</sup>	10000	1	2147483 647	PP/PV
6085	0	Emergency stop deceleration	Command unit /s <sup>2</sup>	100000 00	1	2147483 647	CSP/C SV/PP/ PV/HM
6087	0	Torque slope	0.001/s	5000	1	2147483 647	PT
608F	1	Encoder resolution	Encoder unit	0	0	2147483 647	F
6091	1	Electronic gear ratio numerator	r	1	1	2147483 647	F
	2	Electronic gear ratio denominator	r	1	1	2147483 647	F
6092	1	Number of pulses per rotation	Command unit/r	10000	1	2147483 647	F
6098	0	Homing method	-	19	-6	37	HM
6099	1	High velocity homing	Command unit /s	10000	0	2147483 647	HM
	2	Low velocity homing	Command unit /s	5000	0	2147483 647	HM
609A	0	Homing acceleration /deceleration	Command unit /s <sup>2</sup>	50000 0	1	2147483 647	HM
60B0	0	Position feedforward	Command unit	0	-214748 3648	2147483 647	CSP
60B1	0	Velocity feedforward	Command unit /s	0	-214748 3648	2147483 647	CSP/C SV/PP/ PV/HM
60B2	0	Torque feedforward	0.001	0	-32768	32767	F
60B8	0	Probe function	-	0x0	0x0	0xFFFF	F
60B9	0	Probe status	-	0x0	0x0	0xFFFF	F
60BA	0	Probe 1 rising edge captured position	Command unit	0	-214748 3648	2147483 647	F
60BB	0	Probe 1 falling edge captured position	Command unit	0	-214748 3648	2147483 647	F
60BC	0	Probe 2 rising edge captured position	Command unit	0	-214748 3648	2147483 647	F
60BD	0	Probe 2 falling edge captured position	Command unit	0	-214748 3648	2147483 647	F
60C5	0	Protocol maximum acceleration	Command unit /s <sup>2</sup>	100000 000	1	2147483 647	F
60C6	0	Protocol maximum deceleration	Command unit /s <sup>2</sup>	100000 000	1	2147483 647	F
60D5	0	Probe 1 rising edge captured count(s)	-	0	0	65535	F
60D6	0	Probe 1 falling edge captured count(s)	-	0	0	65535	F

60D7	0	Probe 2 rising edge captured count(s)	-	0	0	65535	F
60D8	0	Probe 2 falling edge captured count(s)	-	0	0	65535	F
60E0	0	Max. torque in positive direction	0.001	3000	0	65535	F
60E1	0	Max. torque in negative direction	0.001	3000	0	65535	F
60F4	0	Actual following error	Command unit	0	-2147483648	2147483647	CSP/P P/HM
60FA	0	Position loop velocity output	Command unit /s	0	-2147483648	2147483647	CSP/P P/HM
60FC	0	Internal command position	Encoder unit	0	-2147483648	2147483647	CSP/P P/HM
60FD	0	Input status	-	0x0	0x0	0x7FFFFFFF	F
60FE	1	Output valid	-	0x0	0x0	0x7FFFFFFF	F
	2	Output enabled	-	0x0	0x0	0x7FFFFFFF	F
60FF	0	Target velocity	Command unit /s	0	-2147483648	2147483647	CSV/P V
6502	0	Supported operation modes	-	0x0	0x0	0x7FFFFFFF	F

### 3.2 Parameter Function

- Panel Display as follows:

PRO.00

classify and code  number

- Parameter valid under following modes  
 CSP: Cyclic synchronous position mode  
 CSV: Cyclic synchronous velocity mode  
 CST: Cyclic synchronous torque mode  
 HM: Homing mode  
 PP: Profile position mode  
 PV: Profile velocity mode  
 PT: Profile torque mode  
 F: All modes

### 3.2.1 【Class 0】 Basic Settings

<b>Pr0.00</b>	Label	Model-following bandwidth			Valid Mode				F										
	Range	0~5000	Unit	0.1Hz	Default	1	Index	2000h											
	Activation	Immediate																	
<p>Model-following bandwidth, also known as model-following control (MFC), is used to control the position loop to improve the responsiveness to commands, speed up positioning time and reduce following error. The effect is obvious especially in low and medium mechanical stiffness.</p> <table border="1" style="width: 100%; border-collapse: collapse;"> <thead> <tr> <th style="background-color: #D9E1F2;">Value</th> <th style="background-color: #D9E1F2;">Explanation</th> </tr> </thead> <tbody> <tr> <td style="text-align: center;">0</td> <td>Disable the function.</td> </tr> <tr> <td style="text-align: center;">1</td> <td>Enable the function to set bandwidth automatically, recommended for most applications. Pr0.00=Pr1.01</td> </tr> <tr> <td style="text-align: center;">2</td> <td>Reserved</td> </tr> <tr> <td style="text-align: center;">3-9</td> <td>Invalid</td> </tr> </tbody> </table> <p>Pr0.00&gt;9: Model-following bandwidth value set by Pr0.00.                      10&lt;Pr0.00&lt;5000: Specifies the bandwidth.  <i>*Recommended settings for belt application: 30&lt;Pr0.00&lt;100.</i></p>										Value	Explanation	0	Disable the function.	1	Enable the function to set bandwidth automatically, recommended for most applications. Pr0.00=Pr1.01	2	Reserved	3-9	Invalid
Value	Explanation																		
0	Disable the function.																		
1	Enable the function to set bandwidth automatically, recommended for most applications. Pr0.00=Pr1.01																		
2	Reserved																		
3-9	Invalid																		

<b>Pr0.01</b>	Label	Control Mode Settings			Valid Mode				F									
	Range	0~9	Unit	—	Default	9	Index	2001h										
	Activation	After restart																
<p>Set value to use following control modes:</p> <table border="1" style="width: 100%; border-collapse: collapse;"> <thead> <tr> <th style="background-color: #D9E1F2;">Value</th> <th style="background-color: #D9E1F2;">Content</th> <th style="background-color: #D9E1F2;">Details</th> </tr> </thead> <tbody> <tr> <td style="text-align: center;">0-8</td> <td>Reserved</td> <td>Reserved</td> </tr> <tr> <td style="text-align: center;">9</td> <td>EtherCAT mode</td> <td>PP/PV/PT/HM/CSP/CSV/CST</td> </tr> </tbody> </table>										Value	Content	Details	0-8	Reserved	Reserved	9	EtherCAT mode	PP/PV/PT/HM/CSP/CSV/CST
Value	Content	Details																
0-8	Reserved	Reserved																
9	EtherCAT mode	PP/PV/PT/HM/CSP/CSV/CST																

<b>Pr0.02</b>	Label	Real time Auto Gain Adjusting			Valid Mode				F																
	Range	0x0~0xFFFF	Unit	—	Default	0x001	Index	2002h																	
	Activation	Immediate																							
<p>Set up the mode of the real time auto gain adjusting.</p> <table border="1" style="width: 100%; border-collapse: collapse;"> <thead> <tr> <th style="background-color: #D9E1F2;">Data bits</th> <th style="background-color: #D9E1F2;">Category</th> <th style="background-color: #D9E1F2;">Settings</th> <th style="background-color: #D9E1F2;">Application</th> </tr> </thead> <tbody> <tr> <td rowspan="3" style="text-align: center; vertical-align: middle;">0x00_</td> <td rowspan="3" style="text-align: center; vertical-align: middle;">Motion setting mode</td> <td colspan="2">Used to set motion setting mode, which can be selected according to the motion characteristics or setting requirements. Generally, it is recommended to select mode 1 with good generality when there is no special requirement, mode 2 when rapid positioning is needed. If mode 1 and mode 2 cannot meet the requirements, please choose mode 0.</td> </tr> <tr> <td style="text-align: center;">0:Manual</td> <td>Pr0.03 invalid. Gain value must be adjusted manually and accordingly.</td> </tr> <tr> <td style="text-align: center;">1:Standard</td> <td>Pr0.03 valid. Quick gain adjusting can be achieved by changing Pr0.03 stiffness value. Gain switching is not used in this mode, suitable for applications with requirements for stability.</td> </tr> <tr> <td></td> <td></td> <td style="text-align: center;">2:Positioning</td> <td>Pr0.03 valid. Quick gain adjusting can be achieved by changing Pr0.03 stiffness value. This mode is suitable for applications requiring quick positioning. Not</td> </tr> </tbody> </table>										Data bits	Category	Settings	Application	0x00_	Motion setting mode	Used to set motion setting mode, which can be selected according to the motion characteristics or setting requirements. Generally, it is recommended to select mode 1 with good generality when there is no special requirement, mode 2 when rapid positioning is needed. If mode 1 and mode 2 cannot meet the requirements, please choose mode 0.		0:Manual	Pr0.03 invalid. Gain value must be adjusted manually and accordingly.	1:Standard	Pr0.03 valid. Quick gain adjusting can be achieved by changing Pr0.03 stiffness value. Gain switching is not used in this mode, suitable for applications with requirements for stability.			2:Positioning	Pr0.03 valid. Quick gain adjusting can be achieved by changing Pr0.03 stiffness value. This mode is suitable for applications requiring quick positioning. Not
Data bits	Category	Settings	Application																						
0x00_	Motion setting mode	Used to set motion setting mode, which can be selected according to the motion characteristics or setting requirements. Generally, it is recommended to select mode 1 with good generality when there is no special requirement, mode 2 when rapid positioning is needed. If mode 1 and mode 2 cannot meet the requirements, please choose mode 0.																							
		0:Manual	Pr0.03 invalid. Gain value must be adjusted manually and accordingly.																						
		1:Standard	Pr0.03 valid. Quick gain adjusting can be achieved by changing Pr0.03 stiffness value. Gain switching is not used in this mode, suitable for applications with requirements for stability.																						
		2:Positioning	Pr0.03 valid. Quick gain adjusting can be achieved by changing Pr0.03 stiffness value. This mode is suitable for applications requiring quick positioning. Not																						

			recommended for load mounted vertical to ground, or please compensate for the load using Pr6.07
0x0_0	Load type setting	Used to select the load type, choose according to load-inertia ratio and mechanical structure.	
		0: Rigid structure	This mode prioritizes system responsiveness. Use this mode when there is a relatively rigid structure with low load inertia. Typical application including directly connected high-precision gearbox, lead screw, gears, etc.
		1:High inertia	For applications with higher load inertia (10 times or above), gain settings take into account both machine stability and responsiveness. Not recommended to set stiffness above 15 for high load inertia.
		2: Flexible structure	This mode prioritizes system stability. Use this mode when there is low rigidity structure with high load inertia. Typical applications included belts and chains.
0x_00	reserved		

The setting type combination is a hexadecimal standard, as follows:

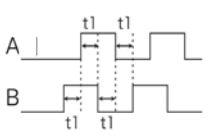

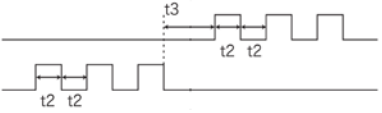
Setting type combination	Application type
0X000	Rigid structure Manual
0X001	Rigid structure +Standard
0X002	Rigid structure +Positioning
0X010	High inertia + Manual
0X011	High inertia + Standard
0X012	High inertia + Positioning
0X020	Flexible structure + Manual
0X021	Flexible structure +Standard
0X022	Flexible structure +Positioning

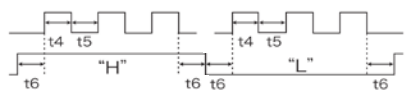
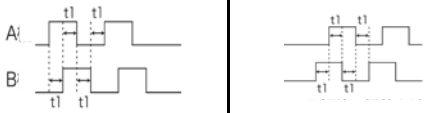
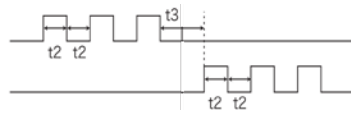
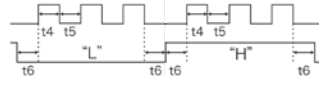
<b>Pr0.03</b>	Label	Real time auto stiffness adjusting			Mode						<b>F</b>
	Range	50 ~ 81	Unit	—	Default	70	Index	2003h			
	Activation	Immediate									
<p>Valid when Pr0.03 = 1,2</p> <p style="text-align: center;">                 Low —————&gt; Mechanical stiffness —————&gt; High                  Low —————&gt; Servo gain —————&gt; High             </p> <div style="border: 1px solid black; padding: 5px; text-align: center; margin: 10px auto; width: 60%;">                 81.80.....70.69.68.....51.50             </div> <p style="text-align: center;">                 Low —————&gt; Responsiveness —————&gt; High             </p> <p>Lower values ensure better system responsiveness and mechanical stiffness but machine vibration might occur, please set accordingly.</p>											

<b>Pr0.04</b>	Label	Inertia ratio			Mode						<b>F</b>
	Range	0~20000	Unit	%	Default	250	Index	2004h			
	Activation	Immediate									
<div style="border: 1px solid black; padding: 5px; margin-bottom: 10px;"> <b>Pr0.04=( load inertia/motor rotational inertia)*100%</b> </div> <p><b>Notice:</b>                  Set inertia ratio according to actual load inertia. When both are uniform, actual motor velocity loop responsiveness and gain settings will be consistent. If inertia ratio is greater than actual value, velocity loop gain settings will be higher and vice versa.</p>											



<b>Pr0.06</b>	Label	Command polarity inversion			Mode						<b>F</b>
	Range	0 ~ 1	Unit	—	Default	0	Index	2006h			
	Activation	After restart									
Used to change the rotational direction of the motor.											
<b>Set value</b>		<b>Details</b>									
0		Polarity of the command is not inverted. The direction of rotation is consistent with the polarity of command.									
1		Polarity of command is inverted. The direction of rotation is opposite to the polarity of command.									
Note: Rotational direction of the motor is recommended to be set through object dictionary 607E. However, Pr0.06 has higher priority than object dictionary 607E. 607E only takes effect when Pr0.06 = 0.											

<b>Pr0.07</b>	Label	Probe signal polarity settings/Command pulse input mode settings			Mode						<b>F</b>
	Range	0 ~ 3	Unit	—	Default	3	Index	2007h			
	Activation	After restart									
Probe signal polarity settings take effect when Pr0.01 = 9											
<b>Set value</b>		<b>Details</b>									
0		Probe 1 & 2 polarity inversion									
1		Probe 2 polarity inversion									
2		Probe 1 polarity inversion									
3		No polarity inversion for probe 1 & 2									
If Pr0.01 $\neq$ 9, Pr0.07 = Command pulse input mode settings.											
<b>Command pulse input</b>											
<b>Command Polarity inversion (Pr0.06)</b>	<b>Command pulse input mode settings (Pr0.07)</b>	<b>Command Pulse Mode</b>	<b>Positive signal</b>	<b>Negative signal</b>							
<b>【0】</b>	0 <i>or</i> 2	90°phase difference 2 phase pulse ( Phase A+ Phase B )									
	1	CW pulse sequence + CCW pulse sequence									

1	【3】	Pulse sequence + Directional symbol	
	0 or 2	90°phase difference 2 phase pulse (Phase A+Phase B)	
	1	CW pulse sequence + CCW pulse sequence	
	□3	Pulse sequence + Directional symbol	

**Command pulse input signal max. frequency and min. duration needed**

Command pulse input interface		Max. Frequency	Min. duration needed (μs)					
			t1	t2	t3	t4	t5	t6
Pulse sequence interface	Differential drive	500 kHz	2	1	1	1	1	1
	Open collector	200 kHz	5	2.5	2.5	2.5	2.5	2.5

























Please set >0.1μs for the duration between rising and falling edge of command pulse input signal.

1 revolution with 2500 pulses 2-phase pulse input when Pr0.07=0 or 2, Pr0.08 = 10000;

1 revolution with 10000 pulses 1-phase pulse input when Pr0.07=1 or 3, Pr0.08 = 10000

<b>Pr0.08</b>	Label	Command pulse counts per revolution			Mode							F
	Range	0~838860 8	Unit	P-	Default	0	Index		2008h			
	Activation	After restart										
Pulses per revolution can be set using object dictionary 608F, 6091, 6092. However, Pr0.08 has higher priority.												

<b>Pr0.11</b>	Label	Encoder pulse output per revolution			Mode							F
	Range	0~65535	Unit	P/r	Default	2500	Index		2011			
	Activation	After restart										
Including rising and falling edge of phase A and B, so encoder actual differential output pulse count = Pr0.011 x 4 Please make sure: Motor rotational speed x Pr0.11 x 4 ≤ 1MHz. If exceeds, alarm Er280 might occur.												

<b>Pr0.12</b>	Label	Pulse output logic inversion			Mode						F												
	Range	0~1	Unit	-	Default	0	Index		2012														
	Activation	After restart																					
To set phase B logic and output source from encoder pulse output. <b>Pulse output logic inversion</b>																							
<table border="1" style="width: 100%; border-collapse: collapse;"> <thead> <tr style="background-color: #D9E1F2;"> <th style="width: 10%;">Pr0.12</th> <th style="width: 20%;">Phase B logic</th> <th style="width: 25%;">CW direction</th> <th style="width: 25%;">CCW direction</th> </tr> </thead> <tbody> <tr> <td style="text-align: center;">[0]</td> <td style="text-align: center;">Not inverted</td> <td>                     A-phase                       B-phase  </td> <td>                     A-phase                       B-phase  </td> </tr> <tr> <td style="text-align: center;">[1]</td> <td style="text-align: center;">Inverted</td> <td>                     A-phase                       B-phase  </td> <td>                     A-phase                       B-phase  </td> </tr> </tbody> </table>												Pr0.12	Phase B logic	CW direction	CCW direction	[0]	Not inverted	A-phase  B-phase 	A-phase  B-phase 	[1]	Inverted	A-phase  B-phase 	A-phase  B-phase 
Pr0.12	Phase B logic	CW direction	CCW direction																				
[0]	Not inverted	A-phase  B-phase 	A-phase  B-phase 																				
[1]	Inverted	A-phase  B-phase 	A-phase  B-phase 																				

<b>Pr0.13</b>	Label	1 <sup>st</sup> Torque Limit			Mode						F
	Range	0~500	Unit	%	Default	300	Index		2013h		
	Activation	Immediate									
1 <sup>st</sup> torque limit is set according to ratio percentage of motor rated current. Do not exceed max driver output current. Actual torque limit is the smaller value of Pr0.13 and object dictionary 6072											

<b>Pr0.14</b>	Label	Excessive Position Deviation Settings			Mode	PP			HM	CS P		
	Range	0~500	Unit	0.1rev	Default	30	Index		2014h			
	Activation	Immediate										
Please set threshold value for position deviation accordingly. Default factory setting = 30, Er180 will be triggered if positive deviation is in excess of 3 revolutions.												

<b>Pr0.15</b>	Label	Absolute Encoder settings			Mode	PP			HM	CS P		
	Range	0~32767	Unit	-	Default	0	Index		2015h			
	Activation	Immediate										
<p><b>0: Incremental mode:</b> Used as an incremental encoder. Doesn't retain position data on power off. Unlimited travel distance.</p> <p><b>1: Multiturn linear mode:</b> Used as a multiturn absolute encoder. Retrain position data on power off. For applications with fixed travel distance and no multiturn data overflow.</p> <p><b>2: Multiturn rotary mode:</b> Used as a multiturn absolute encoder. Retrain position data on power off. Actual data feedback in between 0-(Pr6.63). Unlimited travel distance.</p> <p><b>3: Single turn absolute mode:</b> Used when travel distance is within 1 revolution of the encoder. Data overflow will trigger alarm.</p>												

**5:** Clear multiturn alarm and activate multiturn absolute function. Will switch to multiturn mode once alarm cleared, if remains at 5 after 3s, please solve according to Er153.

**9:** Clear multiturn position, reset multiturn alarm and activate multiturn absolute function. Will switch to multiturn mode once alarm cleared, if remains at 9 after 3s, please solve according to Er153. Please disable axis before setting to 9 and home the axis before using.

<b>Pr0.16</b>	Label	Regenerative resistance			Mode							<b>F</b>
	Range	40~500	Unit	Ohm	Default	100	Index	2016h				
	Activation	Immediate										
To set resistance value of regenerative resistor												

<b>Pr0.17</b>	Label	Regenerative resistor power rating			Mode							<b>F</b>
	Range	20~5000	Unit	W	Default	50	Index	2017h				
	Activation	Immediate										
To set power rating of regenerative resistor. Pr0.16 and Pr0.17 determines the threshold value of Er 120. Please set accordingly or it might trigger false alarm or damage to servo driver. <i>Note: If external regenerative resistor is used, please set according to its labeled power rating.</i>												

<b>Pr0.19</b>	Label	Friction compensation setting			Mode							<b>F</b>
	Range	0~1000	Unit	-	Default	0	Index	2019h				
	Activation	Immediate										
Friction compensation setting = 0, default = 1; Friction compensation setting = x, indicating $x+1/10000$ of friction compensation runway;												

<b>Pr0.23</b>	Label	EtherCAT slave ID			Mode							<b>F</b>
	Range	0~32767	Unit	—	Default	2	Index	2023h				
	Activation	After restart										
Set ID number of the slave station under EtherCAT mode												

<b>Pr0.24</b>	Label	Source of slave ID			Mode							<b>F</b>
	Range	0~1	Unit	—	Default	1	Index	2024h				
	Activation	After restart										
0: Master device automatically assigns a slave address. 1: The slave ID = Pr0.23												

<b>Pr0.25</b>	Label	Synchronous compensation time 1			Mode						<b>CS</b>	<b>P</b>
	Range	1~100	Unit	0.1us	Default	10	Index	2025h				
	Activation	After restart										
Synchronous dithering compensation range. Used for master device with poor synchronization.												

Pr0.26	Label	Synchronous compensation time 2			Mode					CS		
	Range	1~2000	Unit	0.1us	Default	50	Index				2026h	
	Activation	After restart										
Synchronous dithering compensation range. Used for master device with poor synchronization.												

Pr0.27	Label	Synchronization mode command delay cycle counts			Mode					CS		
	Range	1~50	Unit	-	Default	0	Index				2027h	
	Activation	After restart										
Driver delays N position loop cycle counts to receive position command from master device. To solve motor jitter caused by master device with poor synchronization.												

Pr0.28	Label	CSP mode safe self-running position setting			Mode					CS		
	Range	0~10000	Unit	-	Default	10	Index				2028h	
	Activation	Immediate										
Synchronous dithering compensation range. Used for master device with poor synchronization.												

### 3.2.2 【Class 1】 Gain Adjustments

Pr1.00	Label	1 <sup>st</sup> position loop gain			Mode	PP			HM	CS		
	Range	0~3000	Unit	0.1/s	Default	320	Index				2100h	
	Activation	Immediate										
<p>Higher position loop gain value improves the responsiveness of the servo driver and lessens the positioning time.</p> <p>Position loop gain value shouldn't exceed responsiveness of the mechanical system and take in consideration velocity loop gain, if not it might cause vibration, mechanical noise and overtravel. As velocity loop gain is based on position loop gain, please set both values accordingly.</p> <p>Recommended range: <math>1.2 \leq Pr1.00/Pr1.01 \leq 1.8</math></p>												

<b>Pr1.01</b>	Label	1 <sup>st</sup> velocity loop gain			Mode					F
	Range	1~32767	Unit	0.1Hz	Default	180	Index	2101h		
	Activation	Immediate								
<p>To determine the responsiveness of the velocity loop. If inertia ratio of Pr0.04 is uniform with actual inertia ratio, velocity loop responsiveness = Pr1.01.</p> <p>To increase position loop gain and improve responsiveness of the whole system, velocity loop gain must be set at higher value. Please notice that if the velocity loop gain is too high, it might cause vibration.</p>										

<b>Pr1.02</b>	Label	1 <sup>st</sup> Integral Time Constant of Velocity Loop			Mode					F
	Range	1~10000	Unit	0.1ms	Default	310	Index	2102h		
	Activation	Immediate								
<p>If auto gain adjusting function is not enabled, Pr1.02 is activated.</p> <p>The lower the set value, the closer the lag error at stop to 0 but might cause vibration. If the value set is overly large, overshoot, delay of positioning time duration and lowered responsiveness might occur.</p> <p>Set 10000 to deactivate Pr1.02.</p> <p>Recommended range: <math>50000 \leq PA1.01 \times PA1.02 \leq 150000</math></p> <p>For example: Velocity loop gain Pr1.01=500(0.1Hz), which is 50Hz. Integral time constant of velocity loop should be <math>100(0.1ms) \leq Pr1.02 \leq 300(0.1ms)</math></p>										

<b>Pr1.03</b>	Label	1 <sup>st</sup> velocity detection filter			Mode					F																																																																				
	Range	0~10000	Unit	—	Default	15	Index	2103h																																																																						
	Activation	Immediate																																																																												
<p>This filter is a low pass filter. It blocks high frequencies which cause system instability from velocity feedback data. The higher the set value, lower frequencies will be blocked and velocity responsiveness will also be lowered. Pr1.03 needs to match velocity loop gain. Please refer to the following table.</p> <table border="1" style="width: 100%; border-collapse: collapse; text-align: center;"> <thead> <tr> <th>Set Value</th> <th>Velocity Detection Filter Cut-off Frequency(Hz)</th> <th>Set Value</th> <th>Velocity Detection Filter Cut-off Frequency(Hz)</th> </tr> </thead> <tbody> <tr><td>0</td><td>2500</td><td>16</td><td>750</td></tr> <tr><td>1</td><td>2250</td><td>17</td><td>700</td></tr> <tr><td>2</td><td>2100</td><td>18</td><td>650</td></tr> <tr><td>3</td><td>2000</td><td>19</td><td>600</td></tr> <tr><td>4</td><td>1800</td><td>20</td><td>550</td></tr> <tr><td>5</td><td>1600</td><td>21</td><td>500</td></tr> <tr><td>6</td><td>1500</td><td>22</td><td>450</td></tr> <tr><td>7</td><td>1400</td><td>23</td><td>400</td></tr> <tr><td>8</td><td>1300</td><td>24</td><td>350</td></tr> <tr><td>9</td><td>1200</td><td>25</td><td>300</td></tr> <tr><td>10</td><td>1100</td><td>26</td><td>250</td></tr> <tr><td>11</td><td>1000</td><td>27</td><td>200</td></tr> <tr><td>12</td><td>950</td><td>28</td><td>175</td></tr> <tr><td>13</td><td>900</td><td>29</td><td>150</td></tr> <tr><td>14</td><td>850</td><td>30</td><td>125</td></tr> <tr><td>15</td><td>800</td><td>31</td><td>100</td></tr> </tbody> </table>											Set Value	Velocity Detection Filter Cut-off Frequency(Hz)	Set Value	Velocity Detection Filter Cut-off Frequency(Hz)	0	2500	16	750	1	2250	17	700	2	2100	18	650	3	2000	19	600	4	1800	20	550	5	1600	21	500	6	1500	22	450	7	1400	23	400	8	1300	24	350	9	1200	25	300	10	1100	26	250	11	1000	27	200	12	950	28	175	13	900	29	150	14	850	30	125	15	800	31	100
Set Value	Velocity Detection Filter Cut-off Frequency(Hz)	Set Value	Velocity Detection Filter Cut-off Frequency(Hz)																																																																											
0	2500	16	750																																																																											
1	2250	17	700																																																																											
2	2100	18	650																																																																											
3	2000	19	600																																																																											
4	1800	20	550																																																																											
5	1600	21	500																																																																											
6	1500	22	450																																																																											
7	1400	23	400																																																																											
8	1300	24	350																																																																											
9	1200	25	300																																																																											
10	1100	26	250																																																																											
11	1000	27	200																																																																											
12	950	28	175																																																																											
13	900	29	150																																																																											
14	850	30	125																																																																											
15	800	31	100																																																																											

Pr1.04	Label	1 <sup>st</sup> Torque Filter Time Constant			Mode							F
	Range	0~250 0	Unit	0.01ms	Default	126	Index		2104h			
	Activation	Immediate										

To set torque command low-pass filter, add a filter delay time constant to torque command and filter out the high frequencies in the command.

Often used to reduce or eliminate some noise or vibration during motor operation, but it will reduce the responsiveness of current loop, resulting in undermining velocity loop and position loop control. Pr1.04 needs to match velocity loop gain.

Recommended range:  $1,000,000/(2\pi \times \text{Pr1.04}) \geq \text{Pr1.01} \times 4$

For example: Velocity loop gain Pr1.01=180(0.1Hz) which is 18Hz. Time constant of torque filter should be  $\text{Pr1.01} \leq 221(0.01\text{ms})$

If mechanical vibration is due to servo driver, adjusting Pr1.04 might eliminate the vibration. The smaller the value, the better the responsiveness but also subjected to machine conditions. If the value is too large, it might lower the responsiveness of current loop.

With higher Pr1.01 value settings and no resonance, reduce Pr1.04 value;

With lower Pr1.01 value settings, increase Pr1.04 value to lower motor noise.

Pr1.05	Label	2 <sup>nd</sup> Position Loop Gain			Mode	PP			HM	CS	P	
	Range	0~30000	Unit	0.1/s	Default	380	Index		2105h			
	Activation	Immediate										

Pr1.06	Label	2 <sup>nd</sup> velocity loop gain			Mode							F
	Range	1~32767	Unit	0.1Hz	Default	180	Index		2106h			
	Activation	Immediate										

Pr1.07	Label	2 <sup>nd</sup> Integral Time Constant of Velocity Loop			Mode							F
	Range	1~10000	Unit	0.1ms	Default	10000	Index		2107h			
	Activation	Immediate										

Pr1.08	Label	2 <sup>nd</sup> velocity detection filter			Mode							F
	Range	0~31	Unit	—	Default	15	Index		2108h			
	Activation	Immediate										

Pr1.09	Label	2 <sup>nd</sup> Torque Filter Time Constant			Mode							F
	Range	0~2500	Unit	0.01ms	Default	126	Index		2109h			
	Activation	Immediate										

Position loop, velocity loop, velocity detection filter, torque command filter each have 2 pairs of gain or time constant (1st and 2nd).

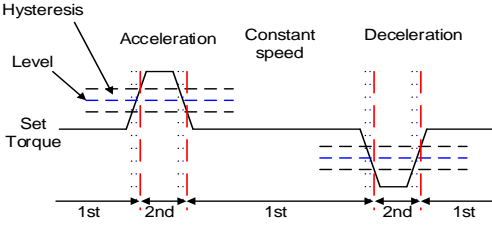
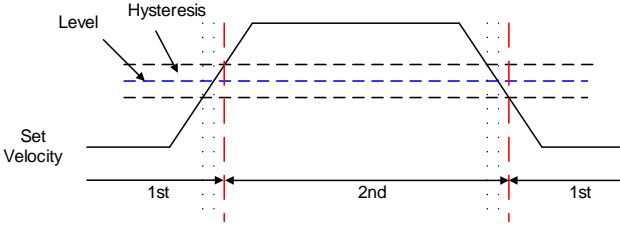
Pr1.10	Label	Velocity feed forward gain			Mode	PP		HM	CS P		
	Range	0~1000	Unit	0.10%	Default	300	Index			2110h	
	Activation	Immediate									
Used for decreasing following error caused by low responsiveness of velocity loop. Might cause overshoot or increase in noise if set value is too high.											

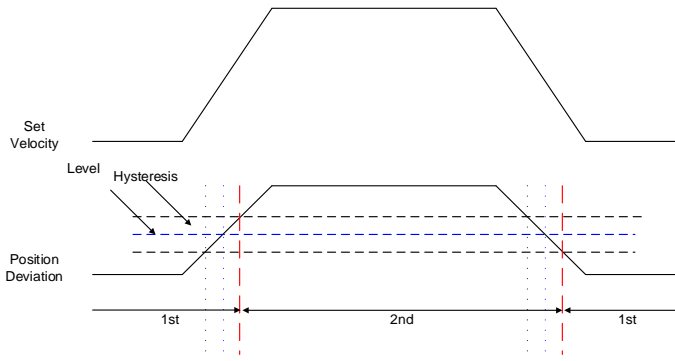
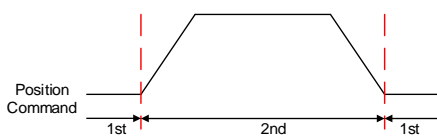
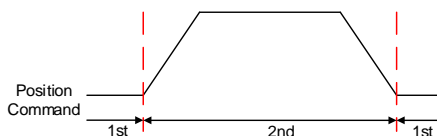
Pr1.11	Label	Velocity feed forward filter time constant			Mode	PP		HM	CS P		
	Range	0~6400	Unit	0.01ms	Default	50	Index			2111h	
	Activation	Immediate									
Set velocity feed forward low pass filter to eliminate high or abnormal frequencies in velocity feed forward command. Often used when position command with low resolution or high electronic gear ratio to smoothen velocity feed forward. Position deviation under constant velocity can be lowered with higher velocity feed forward gain. Please to refer to the equation below. $\text{Position deviation[Uint]} = \frac{\text{Set velocity}[\frac{\text{Uint}}{\text{s}}]}{\text{Position loop gain[Hz]}} \times \frac{100 - \text{Velocity feed forward gain}[\%]}{100}$											

Pr1.12	Label	Torque feed forward gain			Mode	PP	PV	HM	CS P	CS V		
	Range	0~1000	Unit	0.1%	Default	0	Index			2112h		
	Activation	Immediate										
Before using torque feed forward, please set correct inertia ratio. By increasing torque feed forward gain, position deviation on constant acceleration/deceleration can be reduced to close to 0. Under ideal condition and trapezoidal speed profile, position deviation of the whole motion can be reduced to close to 0. In reality, perturbation torque will always exist, hence position deviation can never be 0.												

Pr1.13	Label	Torque feed forward filter time constant			Mode	PP	PV	HM	CS P	CS V		
	Range	0~6400	Unit	0.01ms	Default	0	Index			2113h		
	Activation	Immediate										
Low pass filter to eliminate abnormal or high frequencies in torque feed forward command. Usually used when encoder has lower resolution or precision. Noise reduces if torque feed forward filter time constant is set higher but position deviation will increase at acceleration varied points.												



Pr1.15	Label	Position control gain switching mode			Mode						F
	Range	0~11	Unit	—	Default	0	Index			2115h	
	Activation	Immediate									
Set Value	Condition	Gain switching condition									
0	1 <sup>st</sup> gain fixed	Fixed on using 1 <sup>st</sup> gain(Pr1.00-Pr1.04)									
1	2 <sup>nd</sup> gain fixed	Fixed on using 2 <sup>nd</sup> gain (Pr1.05-Pr1.09)									
2	Reserved										
3	High set torque	Switch to 2 <sup>nd</sup> gain when set torque command absolute value larger than (level + hysteresis)[%] Switch to 1 <sup>st</sup> gain when set torque command absolute value smaller than (level - hysteresis)[%]									
											
4	Reserved	Reserved									
5	High set velocity	Valid for position and velocity control. Switch to 2 <sup>nd</sup> gain when set velocity command absolute value larger than (level + hysteresis)[r/min] Switch to 1 <sup>st</sup> gain when set velocity command absolute value smaller than (level - hysteresis)[r/min]									
											

<p>6</p>	<p>Large position deviation</p>	<p>Valid for position control.                  Switch to 2<sup>nd</sup> gain when position deviation absolute value larger than (level + hysteresis)[pulse]                  Switch to 1<sup>st</sup> gain when position deviation absolute value smaller than (level-hysteresis)[pulse]</p> 
<p>7</p>	<p>Pending position command</p>	<p>Valid for position control.                  Switch to 2<sup>nd</sup> gain if position command <math>\neq 0</math>                  Switch to 1<sup>st</sup> gain if position command <b>remains = 0</b> throughout the duration of delay time.</p> 
<p>8</p>	<p>Not yet in position</p>	<p>Valid for position control.                  Switch to 2<sup>nd</sup> gain if position command is not completed.                  Switch to 1<sup>st</sup> gain if position command <b>remains uncompleted</b> throughout the duration of delay time.</p> 
<p>9</p>	<p>High actual velocity</p>	<p>Valid for position control.                  Switch to 2<sup>nd</sup> gain when actual velocity absolute value larger than (level + hysteresis)[r/min]                  Switch to 1<sup>st</sup> gain when actual velocity absolute value remains smaller throughout the duration of delay time than (level-hysteresis)[r/min]</p>

10	Pending position command + actual velocity	<p>Valid for position control.                  Switch to 2<sup>nd</sup> gain if position command <math>\neq 0</math>                  Switch to 1<sup>st</sup> gain if positional command = 0 throughout the duration of delay time and absolute value of actual velocity remains smaller than (level - hysteresis) (r/min)</p>

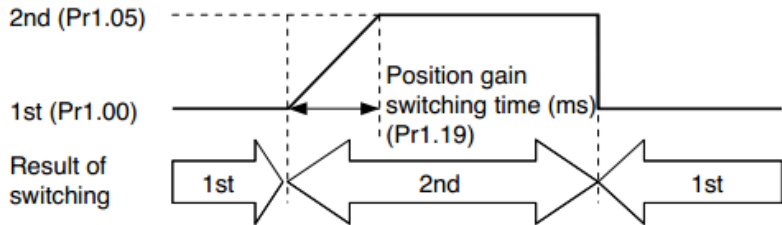
For position control mode, set Pr1.15=3,5,6,9,10;  
 For velocity control mode, set Pr1.15=3,5,9;

**\*\* Above 'level' and 'hysteresis' are in correspondence to Pr1.17 Position control gain switching level and Pr1.18 Hysteresis at position control switching.**

<b>Pr1.17</b>	Label	Position control gain switching level			Mode						F
	Range	0~2000 0	Unit	Mode dependent	Default	50	Index	2117h			
	Activation	Immediate									
	Set threshold value for gain switching to occur. Unit is mode dependent.										
		Switching condition	Unit								
		Position	Encoder pulse count								
		Velocity	RPM								
		Torque	%								
	<i>Please set level <math>\geq</math> hysteresis</i>										

<b>Pr1.18</b>	Label	Hysteresis at position control switching			Mode						F
	Range	0~2000	Unit	Mode dependent	Default	33	Index	2118h			

		0							
	Activation	Immediate							
	To eliminate the instability of gain switching. Used in combination with Pr1.17 using the same unit. If level < hysteresis, drive will set internally hysteresis = level.								

<b>Pr1.19</b>	Label	Position gain switching time			Mode							<b>F</b>
	Range	0~10000	Unit	0.1ms	Default	33	Index	2119h				
	Activation	Immediate										
During position control, to ease torque changes and vibration due to rapid changes in position loop gain, set suitable Pr1.19 value For example: 1st (pr1.00) <-> 2nd (Pr1.05)												
 <p>The diagram illustrates the timing of position gain switching. It shows two gain levels: '1st (Pr1.00)' and '2nd (Pr1.05)'. A horizontal line represents the gain level, which transitions from 1st to 2nd and then back to 1st. The duration of the 2nd gain is indicated by a dashed box. Below this, a 'Result of switching' section shows two overlapping pulses: a '1st' pulse and a '2nd' pulse. The 'Position gain switching time (ms) (Pr1.19)' is the time interval during which both gain levels are active, shown as the width of the overlapping region between the two pulses.</p>												

<b>Pr1.35</b>	Label	Position command pulse filter time			Mode							<b>F</b>
	Range	0~200	Unit	20ns	Default	20	Index	2135h				
	Activation	Immediate										
To eliminate interfering narrow band pulse train from position command pulse. If value set is too high, it might interfere high frequency position command pulse receiving and causes large delays.												
Pr1.35 calculation formula:												
$Filter\ frequency = \frac{1}{2 \times Pr1.35 \times 0.05\mu s} \times 1\ 000\ 000Hz$												

### 3.2.3 【Class 2】 Vibration Suppression

<b>Pr2.00</b>	Label	Adaptive filtering mode settings			Mode						<b>F</b>
	Range	0~4	Unit	-	Default	0	Index	2200h			
	Activation	Immediate									

Set value	Explanation	
0	Adaptive filter: invalid	Parameters related to 3 <sup>rd</sup> and 4 <sup>th</sup> notch filter remain unchanged
1	Adaptive filter: 1 filter valid for once.	1 adaptive filter becomes valid. 3 <sup>rd</sup> notch filter related parameters updated accordingly. Pr2.00 switches automatically to 0 once updated.
2	Adaptive filter: 1 filter remains valid	1 adaptive filter becomes valid. 3 <sup>rd</sup> notch filter related parameters will keep updating accordingly.
3-4	Reserved	-

<b>Pr2.01</b>	Label	1 <sup>st</sup> notch frequency			Mode						<b>F</b>
	Range	50~4000	Unit	Hz	Default	4000	Index	2201h			
	Activation	Immediate									

Set center frequency of 1<sup>st</sup> torque command notch filter.  
Set Pr2.01 to 4000 to deactivate notch filter

<b>Pr2.02</b>	Label	1 <sup>st</sup> notch bandwidth selection			Mode						<b>F</b>
	Range	0~20	Unit	-	Default	4	Index	2202h			
	Activation	Immediate									

Set notch bandwidth for 1<sup>st</sup> resonant notch filter.  
Under normal circumstances, please use factory default settings. If resonance is under control, in combination with Pr2.01 and Pr2.03, Pr2.02 can be reduced to improve current loop responsiveness which allows higher mechanical stiffness settings.

<b>Pr2.03</b>	Label	1 <sup>st</sup> notch depth selection			Mode						<b>F</b>
	Range	0~99	Unit	-	Default	0	Index	2203h			
	Activation	Immediate									

Set notch depth for 1<sup>st</sup> resonant notch filter.

Under normal circumstances, please use factory default settings. If resonance is under control, in combination with Pr2.01 and Pr2.02, Pr2.03 can be reduced to improve current loop responsiveness which allows higher mechanical stiffness settings.

<b>Pr2.04</b>	Label	2 <sup>nd</sup> notch frequency			Mode						F
	Range	50~4000	Unit	Hz	Default	4000	Index	2204h			
	Activation	Immediate									
Set center frequency of 2 <sup>nd</sup> torque command notch filter. Set Pr2.04 to 4000 to deactivate notch filter											

<b>Pr2.05</b>	Label	2 <sup>nd</sup> notch bandwidth selection			Mode						F
	Range	0~20	Unit	-	Default	4	Index	2205h			
	Activation	Immediate									
Set notch bandwidth for 2 <sup>nd</sup> resonant notch filter. Under normal circumstances, please use factory default settings. If resonance is under control, in combination with Pr2.04 and Pr2.06, Pr2.05 can be reduced to improve current loop responsiveness which allows higher mechanical stiffness settings.											

<b>Pr2.06</b>	Label	2 <sup>nd</sup> notch depth selection			Mode						F
	Range	0~99	Unit	-	Default	0	Index	2206h			
	Activation	Immediate									
Set notch depth for 1 <sup>st</sup> resonant notch filter. When Pr2.06 value is higher, notch depth becomes shallow, phase lag reduces. Under normal circumstances, please use factory default settings. If resonance is under control, in combination with Pr2.04 and Pr2.05, Pr2.06 can be reduced to improve current loop responsiveness which allows higher mechanical stiffness settings.											

<b>Pr2.07</b>	Label	3 <sup>rd</sup> notch frequency			Mode						F
	Range	50~4000	Unit	Hz	Default	4000	Index	2207h			
	Activation	Immediate									
Set center frequency of 3 <sup>rd</sup> torque command notch filter. Set Pr2.07 to 4000 to deactivate notch filter											

<b>Pr2.08</b>	Label	3 <sup>rd</sup> notch bandwidth selection			Mode						F
	Range	0~20	Unit	-	Default	4	Index	2287h			

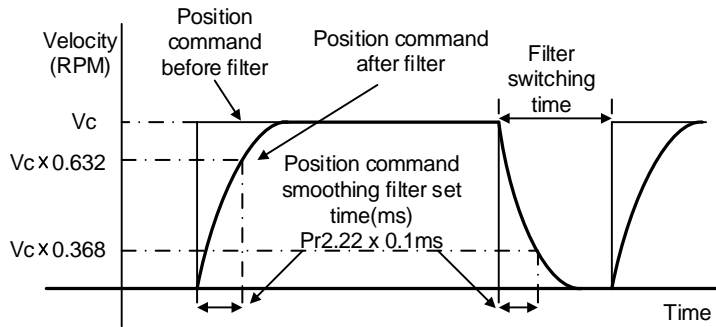
Activation	Immediate
Set notch bandwidth for 3 <sup>rd</sup> resonant notch filter. Under normal circumstances, please use factory default settings.	

<b>Pr2.09</b>	Label	3 <sup>rd</sup> notch depth selection			Mode						<b>F</b>
	Range	0~99	Unit	-	Default	0	Index	2206h			
	Activation	Immediate									
Set notch depth for 1 <sup>st</sup> resonant notch filter. When Pr2.09 value is higher, notch depth becomes shallow, phase lag reduces.											

<b>Pr2.14</b>	Label	1 <sup>st</sup> damping frequency			Mode							<b>F</b>
	Range	0~2000	Unit	0.1Hz	Default	0	Index	2214h				
	Activation	Immediate										
0: Deactivate  To suppress wobble at load end. Often used when wobble of flexible structure due to high deceleration upon stopping. Especially effective for wobble with frequencies under 100Hz. Set Pr2.15 to wobble frequency (wobble frequency can be determined using tracing function of Motion Studio)												

<b>Pr2.16</b>	Label	2 <sup>nd</sup> damping frequency			Mode							<b>F</b>
	Range	0~2000	Unit	0.1Hz	Default	0	Index	2216h				
	Activation	Immediate										
0: Deactivate  To suppress wobble at load end. Often used when wobble of flexible structure due to high deceleration upon stopping. Especially effective for wobble with frequencies under 100Hz. Set Pr2.15 to wobble frequency (wobble frequency can be determined using tracing function of Motion Studio)												

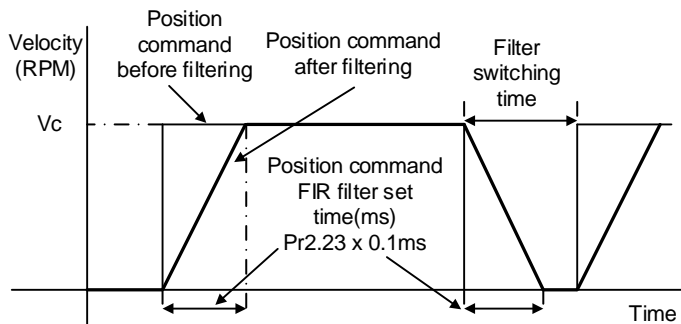
<b>Pr2.22</b>	Label	Position command smoothing filter			Mode	<b>PP</b>			<b>HM</b>	<b>CS</b>		
	Range	0~32767	Unit	0.1ms	Default	0	Index	2222h				
	Activation	Stop axis										
To set time constant of 1 time delay filter of position command. To set time constant of 1 time delay filter, according to target velocity Vc square wave command as show below.												



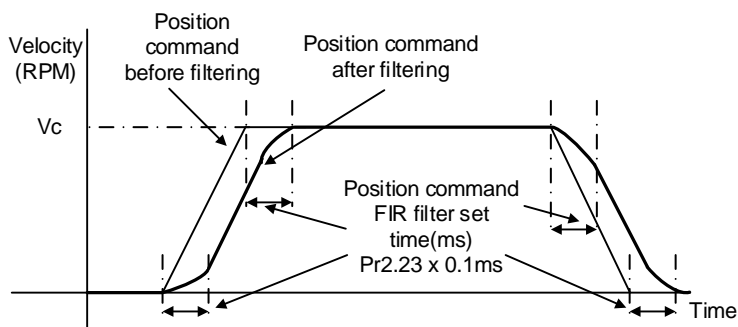
Usually applied when there is rather sharp acceleration which might cause motor overshoot or undershoot. To smoothen command signal, reduces impact to machines and eliminate vibration. If Pr2.22 is set too high, overall time will be lengthened.

<b>Pr2.23</b>	Label	Position command FIR filter			Mode	PP		HM	CS P		
	Range	0~10000	Unit	0.1ms	Default	0	Index	2223h			
	Activation	Disable axis									

As shown below, when target velocity  $V_c$  square wave command reaches  $V_c$ , it becomes trapezoidal wave after filtering.



As shown below, when target velocity  $V_c$  trapezoidal command reaches  $V_c$ , it becomes S wave after filtering.



Usually applied when there is rather sharp acceleration which might cause motor overshoot or



undershoot. To smoothen command signal, reduces impact to machines and eliminate vibration. If Pr2.23 is set too high, overall time will be lengthened.

*\*\*Please wait for command to stop and after filter idle time to modify Pr2.23.  
Filter switching time = (Pr2.23 set value x 0.1ms + 0.25ms)*

<b>Pr2.31</b>	Label	5 <sup>th</sup> resonant frequency			Mode						F
	Range	50~400 0	Unit	Hz	Default	4000	Index	2231h			
	Activation	Immediate									
To set zero-valued eigenfrequency of 5 <sup>th</sup> resonant notch filter. Pr2.31 corresponds to machine specific resonant frequency. Notch filter deactivated if Pr2.31 is set to any value.											

<b>Pr2.32</b>	Label	5 <sup>th</sup> resonant Q value			Mode						F
	Range	0~10000 0	Unit	Hz	Default	0	Index	2232h			
	Activation	Immediate									
To set notch Q value of 5 <sup>th</sup> resonant notch filter											

<b>Pr2.33</b>	Label	5 <sup>th</sup> anti-resonant frequency			Mode						F
	Range	50~4000 0	Unit	Hz	Default	4000	Index	2233h			
	Activation	Immediate									
To set zero-valued eigenfrequency of 5 <sup>th</sup> resonant notch filter. Pr2.31 corresponds to machine-specific anti-resonant frequency.											

<b>Pr2.34</b>	Label	5 <sup>th</sup> anti-resonant Q value			Mode						F
	Range	0~9900 0	Unit	Hz	Default	0	Index	2234h			
	Activation	Immediate									
To set resonant Q value of 5 <sup>th</sup> resonant notch filter											

<b>Pr2.35</b>	Label	6 <sup>th</sup> resonant frequency			Mode						F
	Range	50~400 0	Unit	Hz	Default	4000	Index	2235h			
	Activation	Immediate									
To set zero-valued eigenfrequency of 6 <sup>th</sup> resonant notch filter. Pr2.35 corresponds to machine-specific resonant frequency. Notch filter deactivated if Pr2.31 is set to any value.											

<b>Pr2.36</b>	Label	6 <sup>th</sup> resonant Q value			Mode						F
	Range	0~10000 0	Unit	Hz	Default	0	Index	2236h			
	Activation	Immediate									
To set notch Q value of 6 <sup>th</sup> resonant notch filter											

<b>Pr2.37</b>	Label	6 <sup>th</sup> anti-resonant frequency			Mode						F
	Range	50~4000 0	Unit	Hz	Default	4000	Index	2237h			
	Activation	Immediate									
To set zero-valued eigenfrequency of 6 <sup>th</sup> resonant notch filter. Pr2.37 corresponds to machine-specific anti-resonant frequency.											

<b>Pr2.38</b>	Label	6 <sup>th</sup> anti-resonant Q value			Mode						F
	Range	0~9900 0	Unit	Hz	Default	0	Index	2238h			
	Activation	Immediate									
To set resonant Q value of 6 <sup>th</sup> resonant notch filter											

### 3.2.4 【Class 3】 Velocity/ Torque Control

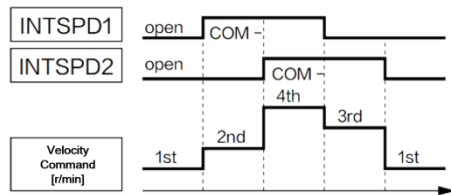
<b>Pr3.00</b>	Label	Internal/External settings of velocity settings			Mode						F
	Range	0~3 0	Unit	-	Default	1	Index	2300h			
	Activation	Immediate									
Internal velocity settings can be achieved by connecting to driver's input interface.											
		Set value	Velocity settings								
		0	Analog velocity command (SPR)								
		[1]	Internal velocity command: 1 <sup>st</sup> to 4 <sup>th</sup> speed (Pr3.04 to Pr3.07)								
		2	Internal velocity command 1 <sup>st</sup> to 3 <sup>rd</sup> speed (Pr3.04 to Pr3.06),								

	Analog velocity command (SPR)
3	Internal velocity command 1 <sup>st</sup> to 8 <sup>th</sup> speed (Pr3.00 to Pr3.11)

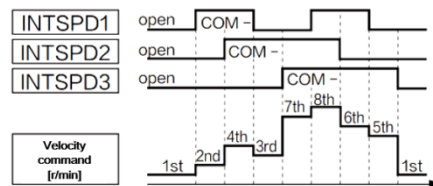
Table below shows relationship between Pr3.00 and internal velocity command

Set value	Selection 1 of internal velocity command (INTSPD1)	Selection 2 of internal velocity command (INTSPD2)	Selection 3 of internal velocity command (INTSPD3)	Selection of velocity command
1	OFF	OFF	No effect	1 <sup>st</sup> speed
	ON	OFF		2 <sup>nd</sup> speed
	OFF	ON		3 <sup>rd</sup> speed
	ON	ON		4 <sup>th</sup> speed
2	OFF	OFF	No effect	1 <sup>st</sup> speed
	ON	OFF		2 <sup>nd</sup> speed
	OFF	ON		3 <sup>rd</sup> speed
	ON	ON		Analog speed command
3	ON	ON	OFF	1 <sup>st</sup> to 4 <sup>th</sup> speed
	OFF	OFF	ON	5 <sup>th</sup> speed
	ON	OFF	ON	6 <sup>th</sup> speed
	OFF	ON	ON	7 <sup>th</sup> speed
	ON	ON	ON	8 <sup>th</sup> speed

Please refer to diagrams below change internal speed command one-by-one. Changing more than 1 at the same time might incur unexpected circumstances.



When Pr3.00=1 or 2



When Pr3.00=3

<b>Pr3.01</b>	Label	Velocity command rotational direction selection			Mode						<b>F</b>
	Range	0~1	Unit	-	Default	0	Index	2301h			
	Activation	Immediate									

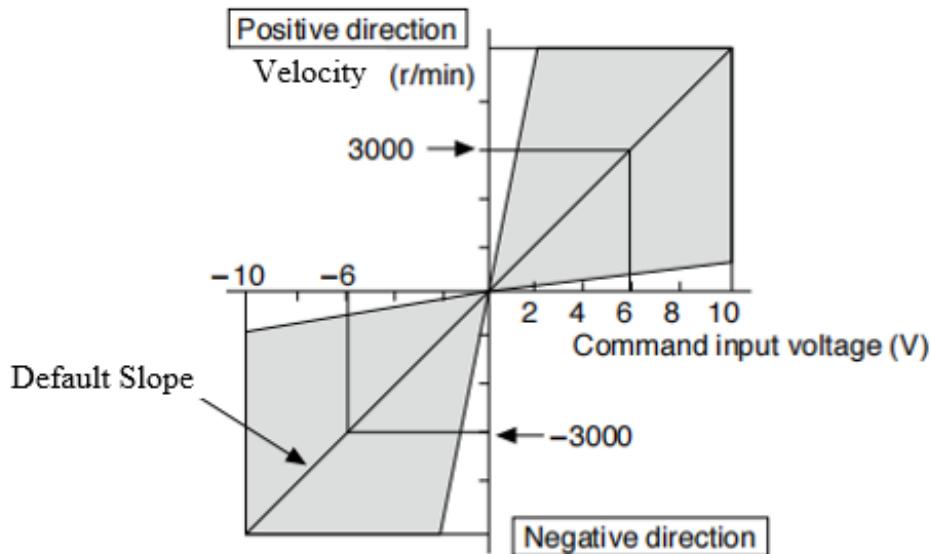
Set value	Velocity command sign(1 <sup>st</sup> to 8 <sup>th</sup> speed)	Velocity command direction(VC-SIGN)	Position command direction
0	+	No effect	Positive direction
	-	No effect	Negative direction
1	Sign has no effect.	OFF	Positive direction
	Sign has no effect	ON	Negative direction

<b>Pr3.02</b>	Label	Velocity command input gain			Mode						F
	Range	10~2000	Unit	(r/min)/V	Default	500	Index		2302h		
	Activation	Immediate									

Set conversion gain from voltage applied to the analog velocity command (SPR) to motor velocity command.

- Use Pr3.02 to set the slope for relation between command input voltage and rotational velocity.
- Default is set to Pr3.02=500 [r/min] hence input of 6V is 3000 r/min.

1. Do not apply more than  $\pm 10$  V to analog velocity command (SPR).
2. While in velocity control mode in combination with driver external position loop, position gain of the driver will have changes. Vibration might occur if Pr3.02 is set too large.



<b>Pr3.03</b>	Label	Velocity command input inversion			Mode						F
	Range	0~1	Unit	-	Default	0	Index		2303h		
	Activation	Immediate									

Specify the polarity of the voltage applied to the analog velocity command (SPR).

Set value	Motor rotational direction	
0	Non-reversal	"+Voltage" → "Positive direction" "-Voltage" → "Negative direction"
1	Reversal	"+Voltage" → "Negative direction" "-Voltage" → "Positive direction"

While servo driver is set on simulated velocity control and in combination with external positioning device, motor might undergo abnormal behavior when velocity command signal polarity from external positioning device doesn't match the polarity set in Pr3.03



	Range	0~10000	Unit	ms/ (1000RPM)	Default	0	Index	2313h
	Activation	Immediate						

Set max acceleration/deceleration for velocity command.

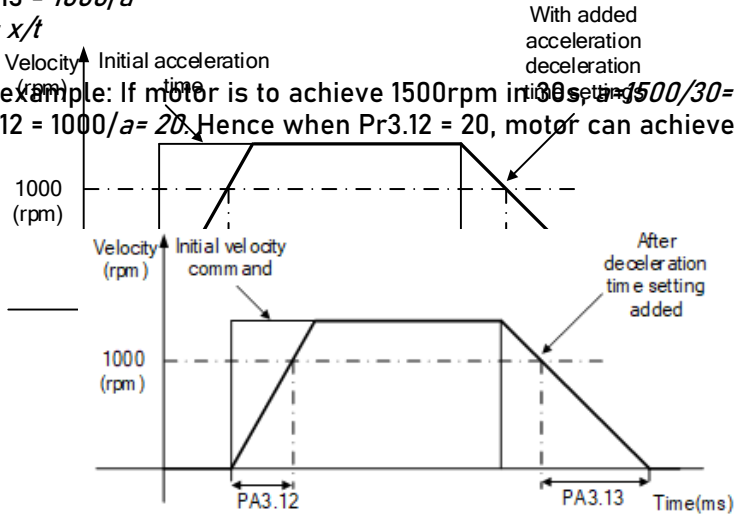
If target velocity =  $x$  [rpm], max acceleration =  $a$  [unit: rpm/ms], acceleration time =  $t$  [ms]

$Pr3.12 = 1000/a$

$Pr3.13 = 1000/a$

$a = x/t$

For example: If motor is to achieve 1500rpm in 30s, set  $a = 1500/30 = 50 \text{ rpm/ms}$   
 $Pr3.12 = 1000/a = 20$ . Hence when  $Pr3.12 = 20$ , motor can achieve 1500rpm in 30s.

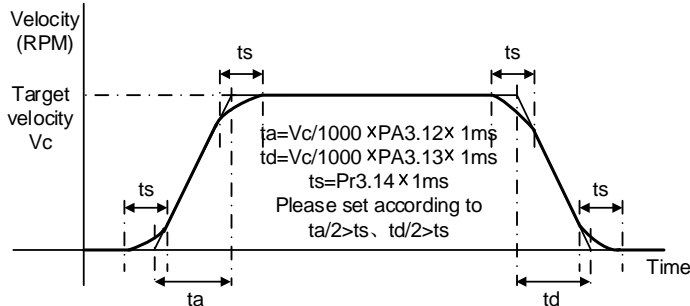


Usually used when there is rapid acceleration or trapezoidal wave velocity command due to many different internal speed segments under velocity control mode which causes instable while motor in motion.

*Under velocity control mode, 6083 and 6084 is limited by Pr3.12 and Pr3.13 correspondingly.*

Pr3.14	Label	Sigmoid acceleration/deceleration settings			Mode		PV			CSV
	Range	0~1000	Unit	ms	Default	0	Index		2314h	
	Activation	Axis disable								

To set sigmoid acceleration and deceleration turning point in accordance to Pr3.12 and Pr3.13.



<b>Pr3.15</b>	Label	Zero speed clamp function selection			Mode							<b>F</b>										
	Range	0~3	Unit	-	Default	0	Index	2315h														
	Activation	Immediate																				
<table border="1" style="width: 100%; border-collapse: collapse;"> <thead> <tr> <th style="width: 10%;">Set value</th> <th>Zero speed clamp function</th> </tr> </thead> <tbody> <tr> <td>0</td> <td>Invalid: zero speed clamp deactivated</td> </tr> <tr> <td>1</td> <td>Velocity command is forced to 0 when the zero speed clamp (ZEROSPD) input signal is valid.</td> </tr> <tr> <td>2</td> <td>Velocity command is forced to 0 when actual velocity is lower than Pr3.16.</td> </tr> <tr> <td>3</td> <td>Includes conditions from 1 and 2</td> </tr> </tbody> </table>													Set value	Zero speed clamp function	0	Invalid: zero speed clamp deactivated	1	Velocity command is forced to 0 when the zero speed clamp (ZEROSPD) input signal is valid.	2	Velocity command is forced to 0 when actual velocity is lower than Pr3.16.	3	Includes conditions from 1 and 2
Set value	Zero speed clamp function																					
0	Invalid: zero speed clamp deactivated																					
1	Velocity command is forced to 0 when the zero speed clamp (ZEROSPD) input signal is valid.																					
2	Velocity command is forced to 0 when actual velocity is lower than Pr3.16.																					
3	Includes conditions from 1 and 2																					

<b>Pr3.16</b>	Label	Zero speed clamp level			Mode		<b>PV</b>					<b>CSV</b>
	Range	10~2000	Unit	RPM	Default	30	Index	2316h				
	Activation	Immediate										
Velocity command is forced to 0 when actual velocity is lower than Pr3.16 and after static time set in Pr3.23												

<b>Pr3.17</b>	Label	Internal/External settings of torque			Mode							<b>F</b>															
	Range	0~3	Unit	-	Default	0	Index	2317h																			
	Activation	Immediate																									
<table border="1" style="width: 100%; border-collapse: collapse;"> <thead> <tr> <th style="width: 10%;">Set value</th> <th>Torque command input</th> <th>Velocity limit input</th> </tr> </thead> <tbody> <tr> <td>0</td> <td>Analog input 3 (AI3)</td> <td>Parameter value (Pr3.21)</td> </tr> <tr> <td>1</td> <td>Analog input 3 (AI3)</td> <td>Analog input 1 (AI1)</td> </tr> <tr> <td>2</td> <td>Parameter value (Pr3.22)</td> <td>Parameter value (Pr3.21)</td> </tr> <tr> <td>3</td> <td>Analog 1 is set by 485</td> <td>Analog 3 is set by 485</td> </tr> </tbody> </table>													Set value	Torque command input	Velocity limit input	0	Analog input 3 (AI3)	Parameter value (Pr3.21)	1	Analog input 3 (AI3)	Analog input 1 (AI1)	2	Parameter value (Pr3.22)	Parameter value (Pr3.21)	3	Analog 1 is set by 485	Analog 3 is set by 485
Set value	Torque command input	Velocity limit input																									
0	Analog input 3 (AI3)	Parameter value (Pr3.21)																									
1	Analog input 3 (AI3)	Analog input 1 (AI1)																									
2	Parameter value (Pr3.22)	Parameter value (Pr3.21)																									
3	Analog 1 is set by 485	Analog 3 is set by 485																									

<b>Pr3.18</b>	Label	Torque command direction selection			Mode			<b>PT</b>			<b>CS T</b>
	Range	0~1	Unit	-	Default	0	Index	2318h			
	Activation	Immediate									

Set value	Direction
0	Direction as indicator by +/- of torque command input. +input→positive, -input→negative ON/OFF of TC-SIGN has no effect on direction of motion.
1	Direction as indicator by TC-SIGN. OFF: Positive direction, ON: Negative direction +/- torque command input has no effect on direction of motion.

Pr3.21	Label	Velocity limit value in torque mode			Mode			PT			CST
	Range	0~5000	Unit	r/min	Default	0	Index		2321h		
	Activation	Immediate									
Only effective when Pr3.17 = 0 or 2 Velocity limit would not exceed value set in Pr3.21 under torque control mode.											

Pr3.22	Label	Torque limit value in torque mode			Mode			PT			CST
	Range	0~500	Unit	%	Default	0	Index		2322h		
	Activation	Immediate									
Only effective when Pr3.17 = 0 or 2											

Pr3.23	Label	Zero speed clamp static time			Mode			PV			CSV
	Range	0~32767	Unit	ms	Default	0	Index		2323h		
	Activation	Immediate									
To set delay time for zero speed clamp. To prevent creeping at low speed, velocity command forced to 0 when velocity goes under Pr3.16 after time set in Pr3.23											

Pr3.24	Label	Maximum motor rotational velocity			Mode						F
	Range	0~10000	Unit	r/min	Default	0	Index		2324h		
	Activation	Immediate									
Maximum motor rotational as accordance to technical specification if set to 0											





- Normally open: Valid when input = ON Normally close: Valid when input = OFF
- Er210 might occur if same function is allocated to different channels at the same time
- Channel that has no value doesn't affect driver motion.
- Front panel is of hexadecimal system.
- Pr4.00 – Pr4.03 corresponds to DI1 – DI4. External sensors can be connected if the parameters are all set to 0. Controller will read 60FD bit4 – 7 to get DI1 – DI4 actual status.

Pr4.10	Label	Output selection D01			Mode						F
	Range	0x0~0xFF	Unit	–	Default	0x1	Index		2410h		
	Activation	Immediate									
Pr4.11	Label	Output selection D02			Mode						F
	Range	0x0~0xFF	Unit	–	Default	0x3	Index		2411h		
	Activation	Immediate									
Pr4.12	Label	Output selection D03			Mode						F
	Range	0x0~0xFF	Unit	–	Default	0x4	Index		2412h		
	Activation	Immediate									

Digital output DO allocation using hexadecimal system.

Output	Symbol	Set value	
		Normally open	Normally close
Master device control	–	00h	-
Alarm	ALM	01h	81h
Servo-Ready	S-RDY	02h	82h
External brake released	BRK-OFF	03h	83h
Positioning completed	INP	04h	84h
At-speed	AT-SPEED	05h	85h
Torque limit signal	TLC	06h	86h
Zero speed clamp detection	ZSP	07h	87h
Velocity coincidence	V-COIN	08h	88h
Servo status	SRV-ST	12h	92h
Positive limit	POT-OUT	15h	95h
Negative limit	NOT-OUT	16h	96h
Position command ON/OFF	P-CMD	0Bh	8Bh
Velocity limit signal	V-LIMIT	0Dh	8Dh
Velocity command ON/OFF	V-CMD	0Fh	8Fh
Homing done	HOME-OK	22h	A2h

- Please don't set any other than the outputs listed in the table above.
- Normally open: Active low
- Normally close: Active high
- Front panel is of hexadecimal system.
- Pr4.10 – Pr4.12 corresponds to D01 – D03. If all parameters are set to 0, master device controls the outputs, object dictionary 0x60FE sub-index 01 bit16-18 corresponds to D01-D03.

<b>Pr4.31</b>	Label	Positioning complete range			Mode	PP		HM	CSP		
	Range	0~10000	Unit	Command unit	Default	20	Index	2431h			
	Activation	Immediate									
To set position deviation range of INP1 positioning completed output signal.											

<b>Pr4.32</b>	Label	Positioning complete output setting			Mode	PP		HM	CSP		
	Range	0~4	Unit	-	Default	1	Index	2432h			
	Activation	Immediate									
Output conditions of INP1 positioning completed output signal											
<b>Set value</b>		<b>Positioning completed signal</b>									
0		Signal valid when the position deviation is smaller than Pr4.31									
1		Signal valid when there is no position command and position deviation is smaller than Pr4.31									
2		Signal valid when there is no position command, zero-speed clamp detection (ZSP) signal is ON and the positional deviation is smaller than Pr4.31									
3		Signal valid when there is no position command and position deviation is smaller than Pr4.31. Signal ON when within the time set in Pr4.33 otherwise OFF.									
4		When there is no command, position detection starts after the delay time set in Pr4.33. Signal valid when there is no position command and positional deviation is smaller than Pr4.31.									

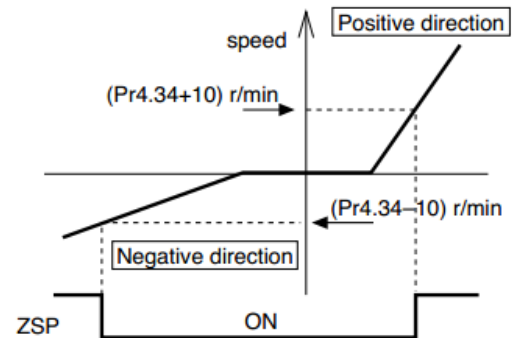
<b>Pr4.33</b>	Label	INP positioning delay time			Mode	PP		HM	CSP		
	Range	0~15000	Unit	1ms	Default	0	Index	2433h			
	Activation	Immediate									
To set delay time when Pr 4.32 = 3											
<b>Set value</b>		<b>Positioning completed signal</b>									
0		Indefinite delay time, signal ON until next position command									
1-15000		OFF within the time set; ON after time set. Switch OFF after receiving next position command.									

<b>Pr4.34</b>	Label	Zero speed			Mode						F
	Range	1~2000	Unit	RPM	Default	50	Index	2434h			
	Activation	Immediate									

To set threshold value for zero speed clamp detection.

Zero speed clamp detection (ZSP) output signal valid when motor speed goes under the value set in Pr4.34

- Disregard the direction of rotation, valid for both directions.
- Hysteresis of 10RPM. Please refer to diagram on the right side.



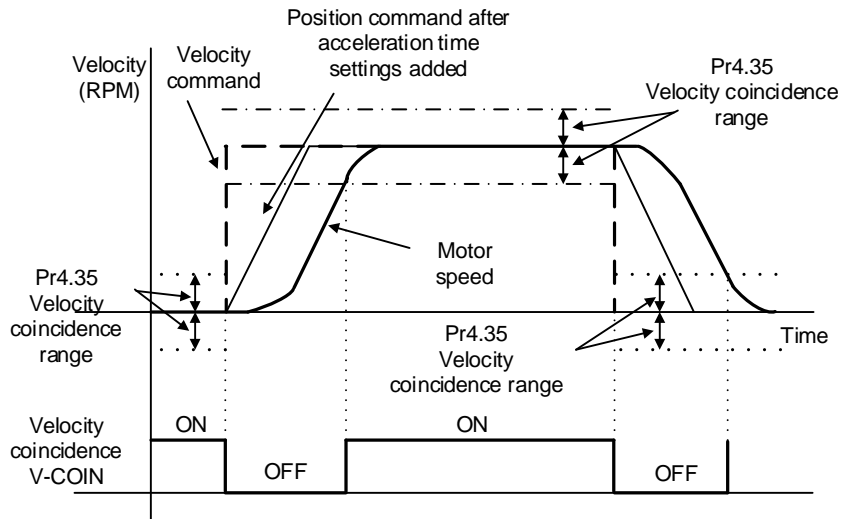
<b>Pr4.35</b>	Label	Velocity coincidence			Mode	PV			CSV
	Range	10~2000	Unit	RPM	Default	50	Index		2435h
	Activation	Immediate							

If the difference between velocity command and motor actual speed is below Pr4.35, Velocity coincidence (V-COIN) output signal valid.

Due to 10RPM hysteresis:

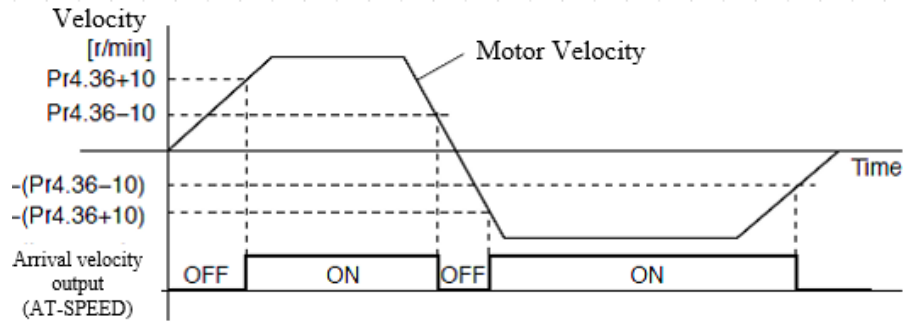
Velocity coincidence output OFF -> ON timing  $(Pr4.35 - 10) \text{ r/min}$

Velocity coincidence output ON -> OFF timing  $(Pr4.35 + 10) \text{ r/min}$



<b>Pr4.36</b>	Label	Arrival velocity (AT-speed)			Mode	PV			CSV
	Range	10~2000	Unit	RPM	Default	1000	Index		2436h
	Activation	Immediate							

When motor velocity > Pr4.36, AT-speed output signal is valid.  
 Detection using 10RPM hysteresis.

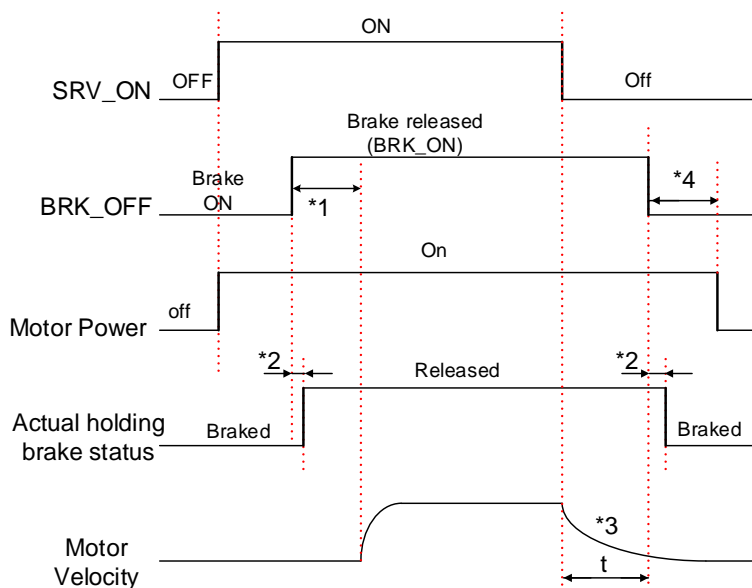


Pr4.37	Label	Motor power-off delay time			Mode							F
	Range	0~3000	Unit	1ms	Default	100	Index				2437h	
	Activation	Immediate										

To set delay time for holding brake to be activated after motor power off to prevent axis from sliding.

Pr4.38	Label	Delay time for holding brake release			Mode							F
	Range	0~3000	Unit	1ms	Default	0	Index				2438h	
	Activation	Immediate										

To set delay time for holding brake to be released after motor power on. Motor will remain at current position and input command is masked to allow holding brake to be fully released before motor is set in motion.



\*1: Delay time set in Pr4.38

\*2: Delay time from the moment BRK\_OFF signal is given until actual holding brake is released or BRK\_ON signal is given until actual holding brake is activated. It is dependent on the holding brake of the motor.

\*3: Deceleration time is determined by Pr6.14 or if motor speed goes below Pr4.39, whichever comes first. BRK\_OFF given after deceleration time.

\*4: Pr4.37 set time value.

*Delay time from the moment SRV\_ON is given until BRK\_OFF switch to BRK\_ON, is less than 500ms.*

<b>Pr4.39</b>	Label	Holding brake activation speed			Mode						F
	Range	30~3000	Unit	RPM	Default	30	Index	2439h			
	Activation	Immediate									

To set the activation speed for which holding brake will be activated.

When SRV-OFF signal is given, motor decelerates, after it reaches below Pr4.39 and Pr6.14 is not yet reached, BRK\_OFF is given.  
BRK\_OFF signal is determined by Pr6.14 or if motor speed goes below Pr4.39, whichever comes first.

Application:

1. After disabling axis, Pr6.14 has been reached but motor speed is still above Pr4.39, BRK\_OFF signal given.
2. After disabling axis, Pr6.14 has not been reached but motor speed is below Pr4.39, BRK\_OFF signal given.

<b>Pr4.43</b>	Label	Emergency stop function			Mode						F
	Range	0~1	Unit	-	Default	0	Index	2443h			
	Activation	Immediate									

0: Emergency stop is valid, servo driver will be forced to STOP and alarm occurs.

1: Emergency stop is invalid, servo driver will not be forced to STOP.

### 3.2.6 【Class 5】 Extension settings

<b>Pr5.00</b>	Label	2 <sup>nd</sup> pulse count per revolution			Mode						F
	Range	0~8388608	Unit	P	Default	10000	Index	2500h			
	Activation	After restart									

To set command pulse count per revolution for second motor.

Switch with Pr0.08 by using I/O interface frequency divider/multiplier switching input signal DIV1

1. When Pr5.00  $\neq$  0 : Motor revolution = Pulse count input / Pr5.00

2. When Pr5.00 = 0: Actual position pulse count is limited by Pr5.01 and Pr 5.02.

<b>Pr5.01</b>	Label	2 <sup>nd</sup> Command frequency divider/multiplier numerator			Mode							<b>F</b>
	Range	0~1073741824	Unit	-	Default	1	Index		2501h			
	Activation	After restart										
To set the numerator of command pulse input frequency divider/multiplier.												

<b>Pr5.02</b>	Label	2 <sup>nd</sup> Command frequency divider/multiplier denominator			Mode							<b>F</b>
	Range	0~1073741824	Unit	-	Default	1	Index		2502h			
	Activation	After restart										
To set the denominator of command pulse input frequency divider/multiplier.												

<b>Pr5.04</b>	Label	Driver prohibition input settings			Mode							<b>F</b>
	Range	0~2	Unit	—	Default	0	Index		2504h			
	Activation	Immediate										
To set driver prohibition input (POT/NOT): If set to 1, no effect on homing mode.												
		<b>Set value</b>	<b>Explanation</b>									
		0	POT → Positive direction drive prohibited NOT → Negative direction drive prohibited									
		1	POT and NOT invalid									
		2	Any single sided input from POT or NOT might cause Er260									
In homing mode, POT/NOT invalid, please set object dictionary 5012-04 bit0=1												

<b>Pr5.06</b>	Label	Servo-off mode			Mode							<b>F</b>	
	Range	0~5	Unit	—	Default	0	Index		2506h				
	Activation	After restart											
To set servo driver disable mode and status.													
		<b>Set value</b>	<b>Explanation</b>										
			<i>Mode</i>										<i>Status</i>
		0	Servo braking										Dynamic braking
		1	Free stopping										Dynamic braking
		2	Dynamic braking										Dynamic braking
		3	Servo braking										Free-run
		4	Free stopping										Free-run
		5	Dynamic braking										Free-run

<b>Pr5.09</b>	Label	Main power-off detection time			Mode						F
	Range	50~2000	Unit	ms	Default	50	Index		2509h		
	Activation	Immediate									
To set duration time for detection of main power-off or low voltage supply.											

<b>Pr5.10</b>	Label	Servo-off due to alarm mode			Mode						F																							
	Range	0~2	Unit	-	Default	0	Index		2510h																									
	Activation	After restart																																
To set servo driver disable mode and status if alarm is triggered. Alarm type 2:																																		
		<table border="1" style="width: 100%; border-collapse: collapse;"> <thead> <tr> <th rowspan="2">Set value</th> <th colspan="2">Explanation</th> </tr> <tr> <th>Mode</th> <th>Status</th> </tr> </thead> <tbody> <tr> <td>0</td> <td>Servo braking</td> <td>Dynamic braking</td> </tr> <tr> <td>1</td> <td>Free stopping</td> <td>Dynamic braking</td> </tr> <tr> <td>2</td> <td>Dynamic braking</td> <td>Dynamic braking</td> </tr> <tr> <td>3</td> <td>Servo braking</td> <td>Free-run</td> </tr> <tr> <td>4</td> <td>Free stopping</td> <td>Free-run</td> </tr> <tr> <td>5</td> <td>Dynamic braking</td> <td>Free-run</td> </tr> </tbody> </table>										Set value	Explanation		Mode	Status	0	Servo braking	Dynamic braking	1	Free stopping	Dynamic braking	2	Dynamic braking	Dynamic braking	3	Servo braking	Free-run	4	Free stopping	Free-run	5	Dynamic braking	Free-run
Set value	Explanation																																	
	Mode	Status																																
0	Servo braking	Dynamic braking																																
1	Free stopping	Dynamic braking																																
2	Dynamic braking	Dynamic braking																																
3	Servo braking	Free-run																																
4	Free stopping	Free-run																																
5	Dynamic braking	Free-run																																
Alarm type 1:																																		
		<table border="1" style="width: 100%; border-collapse: collapse;"> <thead> <tr> <th rowspan="2">Set value</th> <th colspan="2">Explanation</th> </tr> <tr> <th>Mode</th> <th>Status</th> </tr> </thead> <tbody> <tr> <td>0</td> <td rowspan="3">Dynamic braking</td> <td rowspan="3">Dynamic braking</td> </tr> <tr> <td>1</td> </tr> <tr> <td>2</td> </tr> <tr> <td>3</td> <td>Servo braking</td> <td>Free-run</td> </tr> <tr> <td>4</td> <td>Free stopping</td> <td>Free-run</td> </tr> <tr> <td>5</td> <td>Dynamic braking</td> <td>Free-run</td> </tr> </tbody> </table>										Set value	Explanation		Mode	Status	0	Dynamic braking	Dynamic braking	1	2	3	Servo braking	Free-run	4	Free stopping	Free-run	5	Dynamic braking	Free-run				
Set value	Explanation																																	
	Mode	Status																																
0	Dynamic braking	Dynamic braking																																
1																																		
2																																		
3	Servo braking	Free-run																																
4	Free stopping	Free-run																																
5	Dynamic braking	Free-run																																

<b>Pr5.11</b>	Label	Servo braking torque setting			Mode						F
	Range	0~500	Unit	%	Default	0	Index		2511h		
	Activation	Immediate									
To set torque limit for servo braking mode. If Pr5.11 = 0, use torque limit as under normal situation. Between max. torque 6072 and Pr5.11, actual torque limit will take smaller value.											

<b>Pr5.12</b>	Label	Overload setting level			Mode						F
	Range	0~115	Unit	%	Default	0	Index		2512h		



Pr5.12	Activation	Immediate
If Pr5.12 = 0, overload level = 115% Use only when overload level degradation is needed.		

Pr5.13	Label	Overspeed level settings			Mode					F
	Range	0~10000	Unit	RPM	Default	0	Index		2513h	
	Activation	Immediate								
If motor speed exceeds Pr5.13, Er1A0 might occur. When Pr5.13 = 0, overspeed level = max. motor speed x 1.2										

Pr5.15	Label	I/O digital filter			Mode					F
	Range	0~255	Unit	0.1ms	Default	10	Index		2515h	
	Activation	Immediate								
Digital filtering of I/O input. Overly large value set will cause control delay.										

Pr5.17	Label	Counter clearing input mode			Mode					F
	Range	0~4	Unit	-	Default	3	Index		2515h	
	Activation	Immediate								
To set the clearing conditions for deviation counter clearing input signal.										
		<b>Set value</b>	<b>Condition</b>							
		0/2/4	Invalid							
		1	Always clear							
		3	Clear only once							

Pr5.20	Label	Position unit settings			Mode	PP		HM	CSP	
	Range	0~2	Unit	—	Default	2	Index		2520h	
	Activation	Disable								
		<b>Set value</b>	<b>Unit</b>							
		0	Encoder unit							
		1	Command unit							
		2	0.0001rev							
Command unit: Pulse from host Encoder unit: Pulse from encoder Pr5.20 only changes the unit use on host tracing function, has no relation with any position related parameters.										

Pr5.21	Label	Torque limit selection			Mode	PP		HM	CSP		
	Range	0~2	Unit	—	Default	2	Index	2521h			
	Activation	Immediate									

Set value	Positive limit value	Negative limit value
0	Pr0.13	Pr0.13
1	Pr0.13	Pr5.22
2	60E0	60E1

Between max. torque 6072 and Pr5.21, actual torque limit will take smaller value.

Pr5.22	Label	2 <sup>nd</sup> torque limit			Mode						F
	Range	0~500	Unit	%	Default	300	Index	2522h			
	Activation	Immediate									

Limited by motor max. torque.

Between max. torque 6072 and Pr5.22, actual torque limit will take smaller value.

Pr5.23	Label	Positive torque warning threshold			Mode						F
	Range	0~300	Unit	%	Default	0	Index	2523h			
	Activation	Immediate									

If Pr5.23 = 0, threshold value = 95%

If torque larger than rated torque, then output = Torque command limit

Pr5.24	Label	Negative torque warning threshold			Mode						F
	Range	0~300	Unit	%	Default	0	Index	2524h			
	Activation	Immediate									

If Pr5.24 = 0, threshold value = 95%

If torque smaller than rated torque, then output = Torque command limit

Pr5.28	Label	LED initial status			Mode						F
	Range	0~42	Unit	—	Default	34	Index	2528h			
	Activation	After restart									

To set content display on front panel of the servo driver at servo driver power on.

Set value	Content	Set value	Content	Set value	Content
0	Position command deviation	15	Overload rate	30	No. of encoder communication error
1	Motor speed	16	Inertia ratio	31	Accumulated operation time

2	Position command velocity	17	No rotation cause	32	Automatic motor identification
3	Velocity control command	18	No. of changes in I/O signals	33	Driver temperature
4	Actual feedback torque	19	Number of over current signals	34	Servo status
5	Sum of feedback pulse	20	Absolute encoder data	35	/
6	Sum of command pulse	21	Single turn position	36	Synchronous period
7	Maximum torque during motion	22	Multiturn position	37	No. of synchronous loss
8	/	23	Communication axis address	38	Synchronous type
9	Control mode	24	Encoder position deviation	39	Whether DC is running or not
10	I/O signal status	25	Motor electrical angle	40	Acceleration/Deceleration status
11	/	26	Motor mechanical Angle	41	Sub-index of OD index
12	Error cause and history record	27	Voltage across PN	42	Value of sub-index of OD index
13	Alarm code	28	Software version		
14	Regenerative load rate	29	/		

<b>Pr5.32</b>	Label	Max. command pulse input frequency			Mode							<b>F</b>
	Range	0~4000	Unit	kHz	Default	0	Index		2532h			
	Activation	Immediate										
If command pulse input frequency exceeds Pr5.32, Er1B0 might occur. Default = 0, 550kHz												

<b>Pr5.35</b>	Label	Front panel lock setting			Mode							<b>F</b>						
	Range	0~1	Unit	-	Default	0	Index		2535h									
	Activation	Immediate																
Lock operation on the front panel. <table border="1" style="width: 100%; border-collapse: collapse;"> <thead> <tr> <th style="width: 15%;">Set value</th> <th>Explanation</th> </tr> </thead> <tbody> <tr> <td style="text-align: center;">0</td> <td>No limit on the front panel operation</td> </tr> <tr> <td style="text-align: center;">1</td> <td>Lock operation on the front panel</td> </tr> </tbody> </table>													Set value	Explanation	0	No limit on the front panel operation	1	Lock operation on the front panel
Set value	Explanation																	
0	No limit on the front panel operation																	
1	Lock operation on the front panel																	

<b>Pr5.37</b>	Label	Torque limit duration during initialization			Mode							<b>F</b>
	Range	0~5000	Unit	ms	Default	500	Index		2537h			

					t				
	Activation	Immediate							
To set time threshold for output torque to reach limit under torque initialization mode. Only applicable for torque initialization method -6 to -1 Under torque initialization mode, motor torque reached Pr5.39 and the duration reaches Pr5.37 before moving into next step.									

Pr5.39	Label	3 <sup>rd</sup> torque limit			Mode						F
	Range	0~500	Unit	%	Default	80	Index	2539h			
	Activation	Immediate									
To set torque limit during torque initialization Between max. torque 6072 and Pr5.22, actual torque limit will take smaller value.											

Pr5.40	Label	D41 set value			Mode						F
	Range	0x0~0xFFFFF	Unit	%	Default	0X30C	Index	2540h			
	Activation	Immediate									
Set object word monitored by D41, index (left 4 bits) + sub-index (right 1 bit), if monitoring 0x6092-01, set Pr5.40 to 0x60921.											

### 3.2.7 【Class 6】 Other settings

Pr6.01	Label	Encoder zero position compensation			Mode						F
	Range	0~360	Unit	°	Default	0	Index	2601h			
	Activation	After restart									
Angle of the encoder after zero position calibration											

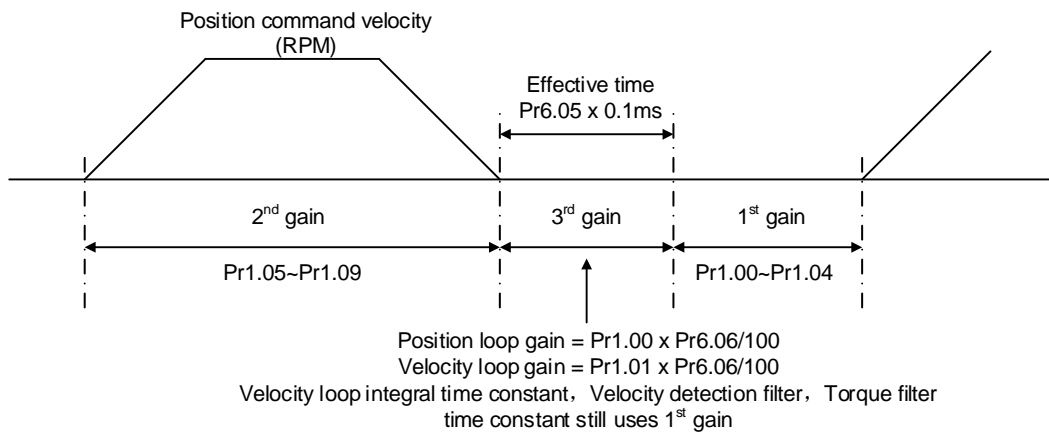
Pr6.04	Label	JOG trial run velocity command			Mode						F
	Range	0~10000	Unit	r/min	Default	400	Index	2604h			
	Activation	Immediate									
To set velocity for JOG trial run command.											

<b>Pr6.05</b>	Label	Position 3 <sup>rd</sup> gain valid time			Mode	PP		HM	CS P		
	Range	0~10000	Unit	0.1ms	Default	0	Index		2605h		
	Activation	Immediate									

To set time for 3<sup>rd</sup> gain to be valid  
When not in use, set Pr6.05=0, Pr6.06=100

<b>Pr6.06</b>	Label	Position 3 <sup>rd</sup> gain scale factor			Mode	PP		HM	CS P		
	Range	0~1000	Unit	100%	Default	100	Index		2606h		
	Activation	Immediate									

Set up the 3<sup>rd</sup> gain by multiplying factor of the 1<sup>st</sup> gain



$$3^{\text{rd}} \text{ gain} = 1^{\text{st}} \text{ gain} * \text{Pr6.06}/100$$

Only effective under position control mode, set Pr6.05 ≠ 0, 3<sup>rd</sup> gain function activated, set 3<sup>rd</sup> gain value in Pr6.06. When 2<sup>nd</sup> gain switches to 1<sup>st</sup> gain, will go through 3<sup>rd</sup>, switching time value set in Pr1.19.

Above diagram is illustrated using Pr1.15 = 7.

<b>Pr6.07</b>	Label	Torque command additional value			Mode						F
	Range	-100~100	Unit	%	Default	0	Index		2607h		
	Activation	Immediate									

To set torque forward feed additional value of vertical axis.

Applicable for loaded vertical axis, compensate constant torque.

Application: When load move along vertical axis, pick any point from the whole motion and stop the load at that particular point with motor enabled but not rotating. Record output torque value from d04, use that value as torque command additional value (compensation value)

<b>Pr6.08</b>	Label	Positive direction torque compensation value			Mode						F
	Range	-100~100	Unit	%	Default	0	Index		2608h		
	Activation	Immediate									

<b>Pr6.09</b>	Label	Negative direction torque compensation value			Mode							<b>F</b>
	Range	-100~100	Unit	%	Default	0	Index		2609h			
	Activation	Immediate										
<p>To reduce the effect of mechanical friction in the movement(s) of the axis. Compensation values can be set according to needs for both rotational directions.</p> <p>Applications:</p> <p>1. When motor is at constant speed, d04 will deliver torque values.                  Torque value in positive direction = T1;                  Torque value in negative direction = T2</p> $\text{Pr6.08/Pr6.09} = T_f = \frac{ T1 - T2 }{2}$												

<b>Pr6.11</b>	Label	Current response settings			Mode							<b>F</b>
	Range	50~100	Unit	%	Default	100	Index		2611h			
	Activation	Immediate										
To set driver current loop related effective value ratio												

<b>Pr6.14</b>	Label	Max. time to stop after disabling			Mode							<b>F</b>
	Range	0~3000	Unit	ms	Default	500	Index		2614h			
	Activation	Immediate										
<p>To set the max. time allowed for the axis to stop on emergency stop or normal axis disabling. After disabling axis, if motor speed is still higher than Pr4.39 but the time set in Pr6.14 is reached, BRK_ON given and holding brake activated. BRK_ON given time is determined by Pr6.14 or when motor speed goes below Pr4.39, whichever comes first.</p> <p>Applications:</p> <p>1. After disabling axis, if motor speed is still higher than Pr4.39 but the time set in Pr6.14 is reached, BRK_ON given and holding brake activated.                  2. After disabling axis, if motor speed is already lower than Pr4.39 but the time set in Pr6.14 is not yet reached, BRK_ON given and holding brake activated.</p>												

<b>Pr6.20</b>	Label	Trial run distance			Mode							<b>F</b>
	Range	0~1200	Unit	0.1rev	Default	10	Index		2620h			
	Activation	Immediate										
JOG (Position control) : Distance travel of each motion												

Pr6.21	Label	Trial run waiting time			Mode							F
	Range	0~30000	Unit	ms	Default	300	Index	2621h				
	Activation	Immediate										
JOG (Position control) : Waiting time after each motion												

Pr6.22	Label	No. of trial run cycles			Mode							F
	Range	0~32767	Unit	PCS	Default	5	Index	2622h				
	Activation	Immediate										
JOG (Position control) : No. of cycles												

Pr6.25	Label	Trial run acceleration			Mode							F
	Range	0~10000	Unit	ms/(1000rpm)	Default	200	Index	2625h				
	Activation	Immediate										
To set the acceleration/deceleration time for JOG command between 0 rpm to 1000 rpm												

Pr6.28	Label	Velocity observer gain			Mode							F
	Range	0~32767	Unit	–	Default	0	Index	2628h				
	Activation	Immediate										
0: Default stable gain; Modifications are not recommended.												

Pr6.29	Label	Velocity observer bandwidth			Mode							F
	Range	0~32767	Unit	ms	Default	0	Index	2629h				
	Activation	Immediate										
0: Default stable bandwidth; Modifications are recommended.												

Pr6.34	Label	Frame error window time			Mode							F
	Range	0~32767	Unit	ms	Default	100	Index	2634h				
	Activation	Immediate										
To set EtherCAT data frame error detection window time												

Pr6.35	Label	Frame error window			Mode							F
	Range	0~32767	Unit	-	Default	50	Index	2635h				
	Activation	Immediate										
To set EtherCAT data frame error detection window												

Pr6.54	Label	Absolute value rotation mode denominator setting			Mode	PP		HM	CS	P		
	Range	0~32766	Unit	-	Default	0	Index			2654h		
	Activation	After restart										
To set denominator of absolute encoder in rotational mode. When Pr0.15 = 2 and use in combination with Pr6.54: $\text{Feedback load position } 6064 = \frac{\text{PA6.63}}{\text{PA6.54}} \times \text{Electronic gear ratio}$												

Pr6.56	Label	Blocked rotor alarm torque threshold			Mode							
	Range	0~300	Unit	%	Default	300	Index			2656h		
	Activation	Immediate										
To set the torque threshold of blocked rotor to trigger alarm. (Alarm triggered if torque output% larger than threshold value & under 10rpm) If Pr6.56 = 0, blocked rotor alarm deactivated. (This applicable only to 220VAC drivers) If motor speed is 10rpm or above, Er102 won't be triggered.												

Pr6.57	Label	Blocked rotor alarm delay time			Mode							
	Range	0~1000	Unit	ms	Default	400	Index			2657h		
	Activation	Immediate										
To set delay time for blocked rotor alarm to trigger												

Pr6.59	Label	Homing mode position threshold			Mode							
	Range	0~100	Unit	0.00001rev	Default	5	Index			2659h		
	Activation	Immediate										
To set position threshold for homing mode.												

Pr6.61	Label	Z signal holding time			Mode							F
	Range	0~100	Unit	ms	Default	10	Index			2661h		
	Activation	Immediate										
To set the holding time for Z signal to maintain active high Application: <ol style="list-style-type: none"> <li>1. Z signal for 60FDH;</li> <li>2. Z signal for homing process</li> <li>3. Z-phase frequency output pulse width. Unit = 0.1ms;</li> </ol> Please set $\text{Pr6.61} \geq 0.2\text{ms}$ if used for 3 applications as above												




<b>Pr6.63</b>	Label	Absolute multiturn data upper limit			Mode						F
	Range	0~32766	Unit	rev	Default	0	Index	2663h			
	Activation	After restart									
To set upper limit of multiturn data with absolute encoder set as rotational mode. When Pr0.15 = 2 and use in combination with Pr6.54: $\text{Feedback load position } 6064 = \frac{\text{PA6.63}}{\text{PA6.54}} \times \text{Electronic gear ratio}$											

### 3.3 402 Parameters Function

- Panel Display as follows:

PR0.00

classify and code  number

- Parameter Valid mode Description  
 CSP: Valid in cyclic synchronous position mode  
 CSV: Valid in cyclic synchronous velocity mode  
 CST: Valid in cyclic synchronous torque mode  
 HM: Valid in homing mode  
 PP: Valid in profile position mode  
 PV: Valid in profile velocity mode  
 PT: Valid in profile torque mode  
 F: Valid in all modes

Index 603Fh	Label	Error code			Unit	-	Structure	VAR	Type	Uint 16
	Access	R0	Mapping	TPDO	Mode	F	Range	0x0~0xFFFF	Default	0X0
Please refer to Chapter 9 for more details on error codes.										

Index 6040h	Label	Control word			Unit	-	Structure	VAR	Type	Uint 16
	Access	RW	Mapping	RPDO	Mode	F	Range	0x0~0xFFFF	Default	0X0

Bit	Label	Description
0	Start	1 - valid, 0 - invalid
1	Main circuit power on	1 - valid, 0 - invalid
2	Quick stop	0 - valid, 1 - invalid
3	Servo running	1 - valid, 0 - invalid
4-6	Running mode related	Related to each servo running mode
7	Fault reset	Reset resettable fault alarm. Rising edge of Bit7 is valid, bit7 remains at 1, and all other instructions are invalid
8	Pause	For more information on how to pause in each mode, refer to Object Dictionary 605Dh
9	No definition	Undefined
10	Reserved	Undefined
11-15	Reserved	Undefined

Index 6041h	Label	Status word			Unit	-	Structure	VAR	Type	Uint 16
	Access	RO	Mapping	TPDO	Mode	ALL	Range	0x0~ 0xFF FF	Default	0x0

Bit	Label	Description
0	Servo ready	1 - valid, 0 - invalid
1	Start	1 - valid, 0 - invalid
2	Servo running	1 - valid, 0 - invalid
3	Fault	1 - valid, 0 - invalid
4	Main circuit power on	1 - valid, 0 - invalid
5	Quick stop	0 - valid, 1 - invalid
6	Servo cannot run	1 - valid, 0 - invalid
7	Warning	1 - valid, 0 - invalid
8	Reserved	Reserved
9	Remote control	1 - valid, 0 - invalid
10	Arrived at position	1 - valid, 0 - invalid
11	Internal limit valid	1 - valid, 0 - invalid
12-13	Mode related	Related to each servo operation mode
14	Reserved	Reserved
15	Origin found	1 - valid, 0 - invalid

Index 605Ah	Label	Quick stop option code			Unit	-	Structure	VAR	Type	INT 16
	Access	RW	Mapping	-	Mode	ALL	Range	0~7	Default	2

Motor stops when quick stop command is given.

PP, CSP, CSV, PV

0 : To stop motor through Pr5.06. Status: Switch on disable, axis disabled.

1 : Motor decelerates and stops through 6084. Status: Switch on disable, axis disabled.

- 2 : Motor decelerates and stops through 6085. Status: Switch on disable, axis disabled.  
 3 : Motor decelerates and stops through 60C6. Status: Switch on disable, axis disabled.  
 5 : Motor decelerates and stops through 6084. Status: Quick stop  
 6 : Motor decelerates and stops through 6085. Status: Quick stop  
 7 : Motor decelerates and stops through 60C6. Status: Quick stop
- HM**
- 0 : To stop motor through Pr5.06. Status: Switch on disable, axis disabled.  
 1 : Motor decelerates and stops through 609A. Status: Switch on disable, axis disabled.  
 2 : Motor decelerates and stops through 6085. Status: Switch on disable, axis disabled.  
 3 : Motor decelerates and stops through 60C6. Status: Switch on disable, axis disabled.  
 5 : Motor decelerates and stops through 609A. Status: Quick stop  
 6 : Motor decelerates and stops through 6085. Status: Quick stop  
 7 : Motor decelerates and stops through 60C6. Status: Quick stop
- CST**
- 0 : To stop motor through Pr5.06. Status: Switch on disable, axis disabled.  
 1, 2 : Motor decelerates and stops through 6087. Status: Switch on disable, axis disabled.  
 3 : Motor decelerates and stops through torque = 0. Status: Switch on disable, axis disabled.  
 5, 6 : Motor decelerates and stops through 6087. Status: Quick stop  
 7 : Motor decelerates and stops through torque = 0. Status: Quick stop

Index 605Bh	Label	Motor deceleration-stopping mode selection			Mode							F
	Range	RW	Unit	-	Range	0~1	Default	0				
PP, CSP, CSV, PV 0 : To stop motor through Pr5.06, 5.06 = 0(Emergency stop), 5.06=1(Free stop) 1 : Motor decelerates and stops through 6084 HM 0 : To stop motor through Pr5.06, 5.06 = 0(Emergency stop), 5.06=1(Free stop) 1 : Motor decelerates and stops through 609A CST 0 : To stop motor through Pr5.06, 5.06 = 0(Emergency stop), 5.06=1(Free stop) 1 : Motor decelerates and stops through 6087												

Index 605Ch	Label	Axis disabled-stopping mode selection			Mode							F
	Range	RW	Unit	-	Range	0~1	Default	0				
PP, CSP, CSV, PV 0 : To stop motor through Pr5.06, 5.06 = 0(Emergency stop), 5.06=1(Free stop) 1 : Motor decelerates and stops through 6084 HM 0 : To stop motor through Pr5.06, 5.06 = 0(Emergency stop), 5.06=1(Free stop)												

- 1 : Motor decelerates and stops through 609A  
 CST  
 0 : To stop motor through Pr5.06, 5.06 = 0(Emergency stop), 5.06=1(Free stop)  
 1 : Motor decelerates and stops through 6087

Index 605Dh	Label	Pause-stopping mode selection			Unit	-	Structure	VAR	Type	INT16
	Access	RW	Mapping	-	Mode	F	Range	1~3	Default	1
When control word – pause sets decelerating, stopping mode. Also suitable for deceleration mode settings during mode switching PP, CSP, CSV, PV 1 : Motor decelerates and stops through 6084. Status: Operation enabled, axis enabled. 2 : Motor decelerates and stops through 6085. Status: Operation enabled, axis enabled. 3 : Motor decelerates and stops through 60C6. Status: Operation enabled, axis enabled. HM 1 : Motor decelerates and stops through 609A. Status: Operation enabled, axis enabled. 2 : Motor decelerates and stops through 6085. Status: Operation enabled, axis enabled. 3 : Motor decelerates and stops through 60C6. Status: Operation enabled, axis enabled. CST 1, 2 : Motor decelerates and stops through 6087. Status: Operation enabled, axis enabled. 3 : Motor decelerates and stops through torque = 0. Status: Operation enabled, axis enabled.										

Index 605Eh	Label	Alarm - stopping mode selection			Unit	-	Structure	VAR	Type	INT16
	Access	RW	Mapping	-	Mode	F	Range	0~2	Default	0
Select stopping mode when servo alarm (Err 8xx) occurs.  PP, CSP, CSV, PV 0 : Select motor stopping mode according to alarm properties. Status: Fault, axis disabled. 1 : Motor decelerates and stops through 6084. Status: Fault, axis disabled. 2 : Motor decelerates and stops through 6085. Status: Fault, axis disabled. HM 0 : Select motor stop by the alarm attribute for emergency stop, the fault state and disable 1 : After the 609A motor is decelerated and stopped,, the fault state and disable 2 : After the 6085 motor is decelerated and stopped, the fault state and disable CST 0, 1 : Select motor stop by the alarm attribute for emergency stop, the fault state and disable 2 : After the 6087 motor is decelerated and stopped, the fault state and disable When other alarms, i.e. drive-side alarms: Select motor stop by the alarm attribute for emergency stop, the fault state and disable										

<b>Index 6060h</b>	<b>Label</b>	Operation mode selection			<b>Unit</b>	-	<b>Structure</b>	VAR	<b>Type</b>	Int 8																								
	<b>Access</b>	RW	<b>Mapping</b>	RPDO	<b>Mode</b>	F	<b>Range</b>	1~11	<b>Default</b>	8																								
<table border="1" style="margin-left: auto; margin-right: auto;"> <thead> <tr> <th>No.</th> <th>Mode</th> <th>Abbr.</th> </tr> </thead> <tbody> <tr> <td>1</td> <td>Profile position mode</td> <td>PP</td> </tr> <tr> <td>3</td> <td>Profile velocity mode</td> <td>PV</td> </tr> <tr> <td>4</td> <td>profile Torque mode</td> <td>PT</td> </tr> <tr> <td>6</td> <td>Homing mode</td> <td>HM</td> </tr> <tr> <td>8</td> <td>Cyclic synchronous position mode</td> <td>CSP</td> </tr> <tr> <td>9</td> <td>Cyclic synchronous velocity mode</td> <td>CSV</td> </tr> <tr> <td>10</td> <td>Cyclic synchronous torque mode</td> <td>CST</td> </tr> </tbody> </table>											No.	Mode	Abbr.	1	Profile position mode	PP	3	Profile velocity mode	PV	4	profile Torque mode	PT	6	Homing mode	HM	8	Cyclic synchronous position mode	CSP	9	Cyclic synchronous velocity mode	CSV	10	Cyclic synchronous torque mode	CST
No.	Mode	Abbr.																																
1	Profile position mode	PP																																
3	Profile velocity mode	PV																																
4	profile Torque mode	PT																																
6	Homing mode	HM																																
8	Cyclic synchronous position mode	CSP																																
9	Cyclic synchronous velocity mode	CSV																																
10	Cyclic synchronous torque mode	CST																																

<b>Index 6061h</b>	<b>Label</b>	Operation mode display			<b>Unit</b>	-	<b>Structure</b>	VAR	<b>Type</b>	Int 8																								
	<b>Access</b>	RW	<b>Mapping</b>	RPDO	<b>Mode</b>	F	<b>Range</b>	1~11	<b>Default</b>	8																								
<table border="1" style="margin-left: auto; margin-right: auto;"> <thead> <tr> <th>No.</th> <th>Mode</th> <th>Abbr.</th> </tr> </thead> <tbody> <tr> <td>1</td> <td>Profile position mode</td> <td>PP</td> </tr> <tr> <td>3</td> <td>Profile velocity mode</td> <td>PV</td> </tr> <tr> <td>4</td> <td>profile Torque mode</td> <td>PT</td> </tr> <tr> <td>6</td> <td>Homing mode</td> <td>HM</td> </tr> <tr> <td>8</td> <td>Cyclic synchronous position mode</td> <td>CSP</td> </tr> <tr> <td>9</td> <td>Cyclic synchronous velocity mode</td> <td>CSV</td> </tr> <tr> <td>10</td> <td>Cyclic synchronous torque mode</td> <td>CST</td> </tr> </tbody> </table>											No.	Mode	Abbr.	1	Profile position mode	PP	3	Profile velocity mode	PV	4	profile Torque mode	PT	6	Homing mode	HM	8	Cyclic synchronous position mode	CSP	9	Cyclic synchronous velocity mode	CSV	10	Cyclic synchronous torque mode	CST
No.	Mode	Abbr.																																
1	Profile position mode	PP																																
3	Profile velocity mode	PV																																
4	profile Torque mode	PT																																
6	Homing mode	HM																																
8	Cyclic synchronous position mode	CSP																																
9	Cyclic synchronous velocity mode	CSV																																
10	Cyclic synchronous torque mode	CST																																

<b>Index 6062h</b>	<b>Label</b>	Position command			<b>Unit</b>	Command unit	<b>Structure</b>	VAR	<b>Type</b>	Int 32
	<b>Access</b>	R 0	<b>Mapping</b>	TPDO	<b>Mode</b>	PP/CSP/ HM	<b>Range</b>	-21474836 48~214748 3647	<b>Default</b>	0
Reflects position command when servo driver is enabled.										

<b>Index 6063h</b>	<b>Label</b>	Actual internal position			<b>Unit</b>	Encoder unit	<b>Structure</b>	VAR	<b>Type</b>	Int 32
	<b>Access</b>	R 0	<b>Mapping</b>	TPDO	<b>Mode</b>	F	<b>Range</b>	-21474836 48~214748 3647	<b>Default</b>	0
Reflects motor absolute position (Encoder unit)										

<b>Index 6064h</b>	<b>Label</b>	Actual position feedback			<b>Unit</b>	Command unit	<b>Structure</b>	VAR	<b>Type</b>	Int 32
	<b>Access</b>	R 0	<b>Mapping</b>	TPDO	<b>Mode</b>	F	<b>Range</b>	-21474836 48~214748 3647	<b>Default</b>	0
Reflects user's real time absolute position $6064h * \text{Gear ratio} = 6063h$										

<b>Index 6065h</b>	<b>Label</b>	Position deviation window			<b>Unit</b>	Command unit	<b>Structure</b>	VAR	<b>Type</b>	UInt 32
	<b>Access</b>	R 0	<b>Mapping</b>	TPDO	<b>Mode</b>	PP/CSP/ HM	<b>Range</b>	0~2147483 647	<b>Default</b>	0
To set an acceptable deviation for requested position. When actual position exceed position deviation window, error might occur.										

<b>Index 6066h</b>	<b>Label</b>	Position deviation detection time			<b>Unit</b>	ms	<b>Structure</b>	VAR	<b>Type</b>	UInt 16
	<b>Access</b>	R 0	<b>Mapping</b>	TPDO	<b>Mode</b>	PP/CSP/ HM	<b>Range</b>	0~65535	<b>Default</b>	0
To set position deviation detection time										

<b>Index 6067h</b>	<b>Label</b>	Position window			<b>Unit</b>	Command unit/s	<b>Structure</b>	VAR	<b>Type</b>	UInt 32
	<b>Access</b>	R 0	<b>Mapping</b>	TPDO	<b>Mode</b>	PP/CSP/ HM	<b>Range</b>	0~2147483 647	<b>Default</b>	0
To set an acceptable extent of arrival position										

<b>Index 6068h</b>	<b>Label</b>	Position window time			<b>Unit</b>	Command unit/s	<b>Structure</b>	VAR	<b>Type</b>	UInt 16
	<b>Access</b>	R 0	<b>Mapping</b>	TPDO	<b>Mode</b>	PP/CSP/ HM	<b>Range</b>	0~65535	<b>Default</b>	0
To set the time between arrival to the output of INP (In position) signal.										

<b>Index 606Bh</b>	<b>Label</b>	Internal command velocity			<b>Unit</b>	Command unit/s	<b>Structure</b>	VAR	<b>Type</b>	Int 32
	<b>Access</b>	R 0	<b>Mapping</b>	TPDO	<b>Mode</b>	ALL	<b>Range</b>	-21474836 48~214748 3647	<b>Default</b>	0
To set the time between arrival to the output of INP (In position) signal.										

<b>Index 606Ch</b>	<b>Label</b>	Velocity feedback			<b>Unit</b>	Command unit/s	<b>Structure</b>	VAR	<b>Type</b>	Int 32
	<b>Access</b>	R0	<b>Mapping</b>	TPDO	<b>Mode</b>	CSV/PP	<b>Range</b>	-21474836 48~214748 3647	<b>Default</b>	0
Reflects user's internal command velocity feedback value										

<b>Index 606Dh</b>	<b>Label</b>	Velocity window			<b>Unit</b>	Command unit/s	<b>Structure</b>	VAR	<b>Type</b>	UInt 16
	<b>Access</b>	R0	<b>Mapping</b>	RPDO	<b>Mode</b>	PV/CSV	<b>Range</b>	0~65535	<b>Default</b>	10
Set the range of velocity										

<b>Index 606Eh</b>	<b>Label</b>	Velocity window time			<b>Unit</b>	ms	<b>Structure</b>	VAR	<b>Type</b>	UInt 16
	<b>Access</b>	R0	<b>Mapping</b>	RPDO	<b>Mode</b>	PV/CSV	<b>Range</b>	0~65535	<b>Default</b>	0
To set the time between velocity reached and status word set to TargetReached.										

<b>Index 606Fh</b>	<b>Label</b>	Zero-speed threshold			<b>Unit</b>	Command unit/s	<b>Structure</b>	VAR	<b>Type</b>	UInt 16
	<b>Access</b>	R0	<b>Mapping</b>	RPDO	<b>Mode</b>	PV/CSV	<b>Range</b>	0~65535	<b>Default</b>	10
To set to zero-speed threshold.										

<b>Index 6070h</b>	<b>Label</b>	Zero-speed threshold time			<b>Unit</b>	ms	<b>Structure</b>	VAR	<b>Type</b>	UInt 16
	<b>Access</b>	R0	<b>Mapping</b>	RPDO	<b>Mode</b>	PV/CSV	<b>Range</b>	0~65535	<b>Default</b>	100
To set the time until status word – zero speed detection is canceled.										

<b>Index 6071h</b>	<b>Label</b>	Target torque			<b>Unit</b>	0.1%	<b>Structure</b>	VAR	<b>Type</b>	UInt 16
	<b>Access</b>	RW	<b>Mapping</b>	RPDO	<b>Mode</b>	PT/CST	<b>Range</b>	-32768~ 32767	<b>Default</b>	0
To set target torque for protocol and cyclic torque mode.										

<b>Index</b> 6072h	<b>Label</b>	Maximum torque			<b>Unit</b>	0.1%	<b>Structure</b>	VAR	<b>Type</b>	UInt 16
	<b>Access</b>	RW	<b>Mapping</b>	RPDO	<b>Mode</b>	F	<b>Range</b>	0~65535	<b>Default</b>	3000
To set max. torque for servo driver. Limited by motor max. torque.										

<b>Index</b> 6073h	<b>Label</b>	Maximum current			<b>Unit</b>	0.1%	<b>Structure</b>	VAR	<b>Type</b>	UInt 16
	<b>Access</b>	R0	<b>Mapping</b>	TPDO	<b>Mode</b>	F	<b>Range</b>	0~65535	<b>Default</b>	3000
To set max. current for servo driver.										

<b>Index</b> 6074h	<b>Label</b>	Internal command torque			<b>Unit</b>	0.1%	<b>Structure</b>	VAR	<b>Type</b>	Int 16
	<b>Access</b>	R0	<b>Mapping</b>	TPDO	<b>Mode</b>	F	<b>Range</b>	-32768~32767	<b>Default</b>	0
Internal command torque										

<b>Index</b> 6075h	<b>Label</b>	Motor current rating			<b>Unit</b>	mA	<b>Structure</b>	VAR	<b>Type</b>	Int 32
	<b>Access</b>	R0	<b>Mapping</b>	TPDO	<b>Mode</b>	F	<b>Range</b>	0~2147483647	<b>Default</b>	3000
Shows motor rated current.										

<b>Index</b> 6077h	<b>Label</b>	Actual torque			<b>Unit</b>	0.1%	<b>Structure</b>	VAR	<b>Type</b>	Int 16
	<b>Access</b>	R0	<b>Mapping</b>	TPDO	<b>Mode</b>	F	<b>Range</b>	-32768~32767	<b>Default</b>	0
Shows servo driver actual torque feedback										

<b>Index</b> 6079h	<b>Label</b>	DC bus voltage			<b>Unit</b>	mV	<b>Structure</b>	VAR	<b>Type</b>	UInt 32
	<b>Access</b>	R0	<b>Mapping</b>	TPDO	<b>Mode</b>	F	<b>Range</b>	0~2147483647	<b>Default</b>	0
Shows DC bus voltage across P, N terminals										

<b>Index</b> 607Ah	<b>Label</b>	Target position			<b>Unit</b>	Command unit	<b>Structure</b>	VAR	<b>Type</b>	Int 32
	<b>Access</b>	R W	<b>Mapping</b>	TPDO	<b>Mode</b>	PP/CSP	<b>Range</b>	-2147483647~2147483647	<b>Default</b>	0
To set the target position under protocol and cyclic position mode.										



<b>Index 607Ch</b>	<b>Label</b>	Homing position offset			<b>Unit</b>	Command unit	<b>Structure</b>	VAR	<b>Type</b>	Int 32
	<b>Access</b>	R W	<b>Mapping</b>	TPDO	<b>Mode</b>	HM	<b>Range</b>	-21474836 47~214748 3647	<b>Default</b>	0
To set position offset to compensate for the deviation of mechanical origin from motor origin under homing										

<b>Index 607Dh-01</b>	<b>Label</b>	Min. software limit			<b>Unit</b>	Command unit	<b>Structure</b>	VAR	<b>Type</b>	Int 32
	<b>Access</b>	RW	<b>Mapping</b>	TPDO	<b>Mode</b>	HM	<b>Range</b>	-214748364 7~21474836 47	<b>Default</b>	0
To set lower limit with calculated position and actual position using absolute position after homing.										

<b>Index 607Dh-02</b>	<b>Label</b>	Max. software limit			<b>Unit</b>	Command unit	<b>Structure</b>	VAR	<b>Type</b>	Int 32
	<b>Access</b>	RW	<b>Mapping</b>	TPDO	<b>Mode</b>	HM	<b>Range</b>	-214748364 7~21474836 47	<b>Default</b>	0
To set upper limit with calculated position and actual position using absolute position after homing.										

<b>Index 607Eh</b>	<b>Label</b>	Motor rotational direction			<b>Unit</b>	-	<b>Structure</b>	VAR	<b>Type</b>	UInt 8																			
	<b>Access</b>	RW	<b>Mapping</b>	RPDO	<b>Mode</b>	HM	<b>Range</b>	0x0 – 0xFF	<b>Default</b>	0x0																			
<table border="1" style="width: 100%; border-collapse: collapse;"> <thead> <tr> <th colspan="2" style="background-color: #d9e1f2;">Mode</th> <th style="background-color: #d9e1f2;">Value</th> </tr> </thead> <tbody> <tr> <td rowspan="3">Position mode</td> <td>PP</td> <td rowspan="3">0: Rotate in the same direction as the position command 128: Rotate in the opposite direction to the position command</td> </tr> <tr> <td>HM</td> </tr> <tr> <td>CSP</td> </tr> <tr> <td rowspan="2">Velocity mode</td> <td>PV</td> <td rowspan="2">0: Rotate in the same direction as the position command 64: Rotate in the opposite direction to the position command</td> </tr> <tr> <td>CSV</td> </tr> <tr> <td rowspan="2">Torque mode</td> <td>PT</td> <td rowspan="2">0: Rotate in the same direction as the position command 32: Rotate in the opposite direction to the position command</td> </tr> <tr> <td>CST</td> </tr> <tr> <td>ALL mode</td> <td></td> <td>0: Rotate in the same direction as the position command 224: Rotate in the opposite direction to the position command</td> </tr> </tbody> </table>											Mode		Value	Position mode	PP	0: Rotate in the same direction as the position command 128: Rotate in the opposite direction to the position command	HM	CSP	Velocity mode	PV	0: Rotate in the same direction as the position command 64: Rotate in the opposite direction to the position command	CSV	Torque mode	PT	0: Rotate in the same direction as the position command 32: Rotate in the opposite direction to the position command	CST	ALL mode		0: Rotate in the same direction as the position command 224: Rotate in the opposite direction to the position command
Mode		Value																											
Position mode	PP	0: Rotate in the same direction as the position command 128: Rotate in the opposite direction to the position command																											
	HM																												
	CSP																												
Velocity mode	PV	0: Rotate in the same direction as the position command 64: Rotate in the opposite direction to the position command																											
	CSV																												
Torque mode	PT	0: Rotate in the same direction as the position command 32: Rotate in the opposite direction to the position command																											
	CST																												
ALL mode		0: Rotate in the same direction as the position command 224: Rotate in the opposite direction to the position command																											
Sets the input polarity of the command.																													

<b>Index 607Fh</b>	<b>Label</b>	Maximum protocol velocity			<b>Unit</b>	Command unit/s	<b>Structure</b>	VAR	<b>Type</b>	UInt 32
	<b>Access</b>	R W	<b>Mapping</b>	RPDO	<b>Mode</b>	PP/HM/P V/CST	<b>Range</b>	0~214 74836 47	<b>Default</b>	21474836 47
To set maximum allowable velocity. Limited by 6080.										

<b>Index 6080h</b>	<b>Label</b>	Maximum motor velocity			<b>Unit</b>	R/min	<b>Structure</b>	VAR	<b>Type</b>	UInt 32
	<b>Access</b>	R W	<b>Mapping</b>	RPDO	<b>Mode</b>	F	<b>Range</b>	0~214 74836 47	<b>Default</b>	6000
To set the maximum allowable motor velocity.										

<b>Index 6081h</b>	<b>Label</b>	Profile velocity			<b>Unit</b>	Command unit/s	<b>Structure</b>	VAR	<b>Type</b>	UInt 32
	<b>Access</b>	R W	<b>Mapping</b>	RPDO	<b>Mode</b>	PP	<b>Range</b>	0~214 74836 47	<b>Default</b>	10000
To set target velocity. Limited by 607Fh.										

<b>Index 6083h</b>	<b>Label</b>	Profile acceleration			<b>Unit</b>	Command unit/s <sup>2</sup>	<b>Structure</b>	VAR	<b>Type</b>	UInt 32
	<b>Access</b>	R W	<b>Mapping</b>	RPDO	<b>Mode</b>	PP/PV	<b>Range</b>	1~2147 48364 7	<b>Default</b>	10000
To set motor acceleration										

<b>Index 6084h</b>	<b>Label</b>	Profile deceleration			<b>Unit</b>	Command unit/s <sup>2</sup>	<b>Structure</b>	VAR	<b>Type</b>	UInt 32
	<b>Access</b>	R W	<b>Mapping</b>	RPDO	<b>Mode</b>	CSP/CSV/ PP/PV/H M	<b>Range</b>	1~2147 48364 7	<b>Default</b>	10000000
To set motor deceleration										

<b>Index 6085h</b>	<b>Label</b>	Emergency stop deceleration			<b>Unit</b>	Command unit/s <sup>2</sup>	<b>Structure</b>	VAR	<b>Type</b>	UInt 32
	<b>Access</b>	R W	<b>Mapping</b>	RPDO	<b>Mode</b>	PP/PV	<b>Range</b>	1~2147 48364 7	<b>Default</b>	10000
To set the deceleration during an emergency stop										

<b>Index 6087h</b>	<b>Label</b>	Torque slope			<b>Unit</b>	%1/s	<b>Structure</b>	VAR	<b>Type</b>	UInt 32
	<b>Access</b>	R W	<b>Mapping</b>	RPDO	<b>Mode</b>	PT	<b>Range</b>	1~2147 48364 7	<b>Default</b>	5000
To set values for tendency torque command										

<b>Index 608Fh-01</b>	<b>Label</b>	Encoder resolution			<b>Unit</b>	Encoder unit	<b>Structure</b>	VAR	<b>Type</b>	UInt 32
	<b>Access</b>	R 0	<b>Mapping</b>	TPDO	<b>Mode</b>	F	<b>Range</b>	1~2147 48364 7	<b>Default</b>	0
To set encoder resolution										

<b>Index 6091h-01</b>	<b>Label</b>	Electronic gear ratio numerator			<b>Unit</b>	r	<b>Structure</b>	VAR	<b>Type</b>	Dint 32
	<b>Access</b>	RW	<b>Mapping</b>	RPDO	<b>Mode</b>	F	<b>Range</b>	1-21474 83647	<b>Default</b>	1
To set electronic gear ratio numerator										

<b>Index 6091h-02</b>	<b>Label</b>	Electronic gear ratio denominator			<b>Unit</b>	r	<b>Structure</b>	VAR	<b>Type</b>	Dint 32
	<b>Access</b>	RW	<b>Mapping</b>	RPDO	<b>Mode</b>	F	<b>Range</b>	1-21474 83647	<b>Default</b>	1
To set electronic gear ratio denominator										

<b>Index 6092h-01</b>	<b>Label</b>	Number of pulses per rotation			<b>Unit</b>	Command unit/r	<b>Structure</b>	VAR	<b>Type</b>	UInt 32
	<b>Access</b>	RW	<b>Mapping</b>	RPDO	<b>Mode</b>	F	<b>Range</b>	1-21474 83647	<b>Default</b>	10000
If 6092h-01(Feed constant) is not equal to 608Fh(Position encoder resolution), then: Electronic gear ratio = Encoder resolution / 6092h-01  If 6092h-01(Feed constant) is equal to 608Fh(Position encoder resolution), then: Electronic gear ratio = 6091-01 / 6092h-01										

<b>Index 6098h</b>	<b>Label</b>	Homing method			<b>Unit</b>	-	<b>Structure</b>	VAR	<b>Type</b>	UInt 8
	<b>Access</b>	RW	<b>Mapping</b>	RPDO	<b>Mode</b>	F	<b>Range</b>	-6-3 7	<b>Default</b>	19
The table below describes the velocity, direction and stopping conditions of each homing methods.										
<b>Ref no.</b>	<b>Description</b>									
	<i>Velocity</i>	<i>Direction</i>	<i>Stop</i>							
-6	Low	Negative	When torque reached							
-5	Low	Positive	When torque reached							
-4	High	Negative	Inversed when torque reached, after torque is gone							
-3	High	Positive	Inversed when torque reached, after torque is gone							
-2	High	Negative	Inversed when torque reached, received 1 <sup>st</sup> Z-signal after torque is gone							

-1	High	Positive	Inversed when torque reached, received 1 <sup>st</sup> Z-signal after torque is gone		
	<i>Direction</i>	<i>Deceleration point</i>	<i>Home</i>	<i>Before Z-signal</i>	
1	Negative	Negative limit switch	Motor Z-signal	Negative limit switch falling edge	
2	Positive	Positive limit switch	Motor Z-signal	Positive limit switch falling edge	
3	Positive	Homing switch	Motor Z-signal	Falling edge on same side of homing switch	
4	Positive	Homing switch	Motor Z-signal	Rising edge on same side of homing switch	
5	Negative	Homing switch	Motor Z-signal	Falling edge on same side of homing switch	
6	Negative	Homing switch	Motor Z-signal	Rising edge on same side of homing switch	
7	Positive	Homing switch	Motor Z-signal	Falling edge on same side of homing switch	
8	Positive	Homing switch	Motor Z-signal	Rising edge on same side of homing switch	
9	Positive	Homing switch	Motor Z-signal	Rising edge on same side of homing switch	
10	Positive	Homing switch	Motor Z-signal	Falling edge on same side of homing switch	
11	Negative	Homing switch	Motor Z-signal	Falling edge on same side of homing switch	
12	Negative	Homing switch	Motor Z-signal	Rising edge on same side of homing switch	
13	Negative	Homing switch	Motor Z-signal on other side of homing switch	Rising edge on other side of homing switch	
14	Negative	Homing switch	Motor Z-signal on other side of homing switch	Falling edge on other side of homing switch	
15					
16					
17-32	Similar with 1-14, but deceleration point = homing point				
33	Home in negative direction, Homing point = motor Z-signal				
34	Home in positive direction, Homing point = motor Z-signal				
35-37	Set current position as homing point				

Index 6099h-01	Label	High speed homing			Unit	Command unit/s	Structure	VAR	Type	UInt 32
	Access	R W	Mapping	RPDO	Mode	HM	Range	0~214 74836 47	Default	10000

To set the speed used in homing

<b>Index 6099h-02</b>	<b>Label</b>	Low speed homing			<b>Unit</b>	Command unit/s	<b>Structure</b>	VAR	<b>Type</b>	UInt 32
	<b>Access</b>	R W	<b>Mapping</b>	RPDO	<b>Mode</b>	HM	<b>Range</b>	0~214 74836 47	<b>Default</b>	5000
To set the speed used in homing										

<b>Index 609Ah</b>	<b>Label</b>	Homing acceleration /deceleration			<b>Unit</b>	Command unit/s <sup>2</sup>	<b>Structure</b>	VAR	<b>Type</b>	UInt 32
	<b>Access</b>	R 0	<b>Mapping</b>	TPDO	<b>Mode</b>	HM	<b>Range</b>	1~2147 48364 7	<b>Default</b>	500000
To set acceleration and deceleration used in homing										

<b>Index 60B0h</b>	<b>Label</b>	Position feedforward			<b>Unit</b>	Command unit	<b>Structure</b>	VAR	<b>Type</b>	Int 32
	<b>Access</b>	R 0	<b>Mapping</b>	TPDO	<b>Mode</b>	HM	<b>Range</b>	-214748364 7~21474836 47	<b>Default</b>	0
To add position deviation to target position										

<b>Index 60B1h</b>	<b>Label</b>	Velocity feedforward			<b>Unit</b>	Command unit/s	<b>Structure</b>	VAR	<b>Type</b>	Int 32
	<b>Access</b>	R 0	<b>Mapping</b>	TPDO	<b>Mode</b>	CSP/CSV/PP /PV/HM	<b>Range</b>	-214748364 7~21474836 47	<b>Default</b>	0
To deviate velocity command										

<b>Index 60B2h</b>	<b>Label</b>	Torque feedforward			<b>Unit</b>	0.1%	<b>Structure</b>	VAR	<b>Type</b>	Int 16
	<b>Access</b>	R W	<b>Mapping</b>	RPDO	<b>Mode</b>	CSP/CSV/PP /PV/HM	<b>Range</b>	0x0~0xFFF F	<b>Default</b>	0x0
To add or deviate torque command										



Index 60B9h	Label	Probe status			Unit	-	Structure	VAR	Type	UInt 16																																	
	Access	R0	Mapping	TPDO	Mode	F	Range	00x-0xF FFF	Default	0x0																																	
<table border="1"> <thead> <tr> <th>Bit</th> <th>Definition</th> <th>Details</th> </tr> </thead> <tbody> <tr> <td>0</td> <td>Probe 1</td> <td>0--Disable 1--Enable</td> </tr> <tr> <td>1</td> <td>Probe 1 rising edge latching</td> <td>0--Rising edge not latched 1--Rising edge latched</td> </tr> <tr> <td>2</td> <td>Probe 1 falling edge latching</td> <td>0--Falling edge not latched 1--Falling edge latched</td> </tr> <tr> <td>3-5</td> <td>-</td> <td>-</td> </tr> <tr> <td>6-7</td> <td>-</td> <td>-</td> </tr> <tr> <td>8</td> <td>Probe 2</td> <td>0--Disable 1--Enable</td> </tr> <tr> <td>9</td> <td>Probe 2 rising edge latching</td> <td>0--Rising edge not latched 1--Rising edge latched</td> </tr> <tr> <td>10</td> <td>Probe 2 falling edge latching</td> <td>0--Falling edge not latched 1--Falling edge latched</td> </tr> <tr> <td>11-13</td> <td>-</td> <td>-</td> </tr> <tr> <td>14-15</td> <td>-</td> <td>-</td> </tr> </tbody> </table>											Bit	Definition	Details	0	Probe 1	0--Disable 1--Enable	1	Probe 1 rising edge latching	0--Rising edge not latched 1--Rising edge latched	2	Probe 1 falling edge latching	0--Falling edge not latched 1--Falling edge latched	3-5	-	-	6-7	-	-	8	Probe 2	0--Disable 1--Enable	9	Probe 2 rising edge latching	0--Rising edge not latched 1--Rising edge latched	10	Probe 2 falling edge latching	0--Falling edge not latched 1--Falling edge latched	11-13	-	-	14-15	-	-
Bit	Definition	Details																																									
0	Probe 1	0--Disable 1--Enable																																									
1	Probe 1 rising edge latching	0--Rising edge not latched 1--Rising edge latched																																									
2	Probe 1 falling edge latching	0--Falling edge not latched 1--Falling edge latched																																									
3-5	-	-																																									
6-7	-	-																																									
8	Probe 2	0--Disable 1--Enable																																									
9	Probe 2 rising edge latching	0--Rising edge not latched 1--Rising edge latched																																									
10	Probe 2 falling edge latching	0--Falling edge not latched 1--Falling edge latched																																									
11-13	-	-																																									
14-15	-	-																																									

Index 60BAh	Label	Probe 1 rising edge captured position			Unit	Command unit	Structure	VAR	Type	Int 32
	Access	R0	Mapping	TPDO	Mode	F	Range	-214748364 7~21474836 47	Default	0
Shows position feedback at rising edge of probe 1 signal										
Index 60BBh	Label	Probe 1 falling edge captured position			Unit	Command unit	Structure	VAR	Type	Int 32
	Access	R0	Mapping	TPDO	Mode	F	Range	-214748364 7~21474836 47	Default	0
Shows position feedback at falling edge of probe 1 signal										
Index 60BCh	Label	Probe 2 rising edge captured position			Unit	Command unit	Structure	VAR	Type	Int 32
	Access	R0	Mapping	TPDO	Mode	F	Range	-214748364 7~21474836 47	Default	0
Shows position feedback at rising edge of probe 2 signal										
Index 60BDh	Label	Probe 2 falling edge captured position			Unit	Command unit	Structure	VAR	Type	Int 32
	Access	R0	Mapping	TPDO	Mode	F	Range	-214748364 7~21474836	Default	0

47									
Shows position feedback at falling edge of probe 2 signal									

<b>Index 60C5h</b>	<b>Label</b>	Protocol maximum acceleration			<b>Unit</b>	Command unit/s <sup>2</sup>	<b>Structure</b>	VAR	<b>Type</b>	UInt 32
	<b>Access</b>	R W	<b>Mapping</b>	RPDO	<b>Mode</b>	F	<b>Range</b>	1~21474836 47	<b>Default</b>	1000000 00
To set upper limit of acceleration.										

<b>Index 60C6h</b>	<b>Label</b>	Protocol maximum deceleration			<b>Unit</b>	Command unit/s <sup>2</sup>	<b>Structure</b>	VAR	<b>Type</b>	UInt 32
	<b>Access</b>	R W	<b>Mapping</b>	RPDO	<b>Mode</b>	F	<b>Range</b>	1~21474836 47	<b>Default</b>	1000000 00
To set lower limit of acceleration.										

<b>Index 60D5h</b>	<b>Label</b>	Probe 1 rising edge captured count(s)			<b>Unit</b>	-	<b>Structure</b>	VAR	<b>Type</b>	UInt 16
	<b>Access</b>	R0	<b>Mapping</b>	TPDO	<b>Mode</b>	F	<b>Range</b>	0~65535	<b>Default</b>	0
Shows the number of times probe 1 rising edge latched.										

<b>Index 60D6h</b>	<b>Label</b>	Probe 1 falling edge captured count(s)			<b>Unit</b>	-	<b>Structure</b>	VAR	<b>Type</b>	UInt 16
	<b>Access</b>	R0	<b>Mapping</b>	TPDO	<b>Mode</b>	F	<b>Range</b>	0~65535	<b>Default</b>	0
Shows the number of times probe 1 falling edge latched.										

<b>Index 60D7h</b>	<b>Label</b>	Probe 2 rising edge captured count(s)			<b>Unit</b>	-	<b>Structure</b>	VAR	<b>Type</b>	UInt 16
	<b>Access</b>	R0	<b>Mapping</b>	TPDO	<b>Mode</b>	F	<b>Range</b>	0~65535	<b>Default</b>	0
Shows the number of times probe 2 rising edge latched.										

<b>Index 60D8h</b>	<b>Label</b>	Probe 2 falling edge captured count(s)			<b>Unit</b>	-	<b>Structure</b>	VAR	<b>Type</b>	UInt 16
	<b>Access</b>	R0	<b>Mapping</b>	TPDO	<b>Mode</b>	F	<b>Range</b>	0~65535	<b>Default</b>	0
Shows the number of times probe 2 falling edge latched.										



<b>Index 60E0h</b>	<b>Label</b>	Max. torque in positive direction			<b>Unit</b>	0.1%	<b>Structure</b>	VAR	<b>Type</b>	UInt 16
	<b>Access</b>	RW	<b>Mapping</b>	RPDO	<b>Mode</b>	F	<b>Range</b>	0~65535	<b>Default</b>	3000
To set the maximum torque of servo driver in positive direction										

<b>Index 60E1h</b>	<b>Label</b>	Max. torque in negative direction			<b>Unit</b>	0.1%	<b>Structure</b>	VAR	<b>Type</b>	UInt 16
	<b>Access</b>	RW	<b>Mapping</b>	RPDO	<b>Mode</b>	F	<b>Range</b>	0~65535	<b>Default</b>	3000
To set the maximum torque of servo driver in negative direction										

<b>Index 60F4h</b>	<b>Label</b>	Actual following error			<b>Unit</b>	Command unit	<b>Structure</b>	VAR	<b>Type</b>	Int 32
	<b>Access</b>	R0	<b>Mapping</b>	TPDO	<b>Mode</b>	CSP/PP/HM	<b>Range</b>	-21474836 47~214748 3647	<b>Default</b>	0
Shows position following error										

<b>Index 60FAh</b>	<b>Label</b>	Position loop velocity output			<b>Unit</b>	Command unit/s	<b>Structure</b>	VAR	<b>Type</b>	Int 32
	<b>Access</b>	R0	<b>Mapping</b>	TPDO	<b>Mode</b>	CSP/PP/HM	<b>Range</b>	-21474836 47~214748 3647	<b>Default</b>	0
Shows internal command velocity (Position loop output)										

<b>Index 60FCh</b>	<b>Label</b>	Internal command position			<b>Unit</b>	Encoder unit	<b>Structure</b>	VAR	<b>Type</b>	Int 32
	<b>Access</b>	R0	<b>Mapping</b>	TPDO	<b>Mode</b>	CSP/PP/HM	<b>Range</b>	-21474836 47~214748 3647	<b>Default</b>	0
Shows internal command position of servo driver.										

<b>Index 60FDh</b>	<b>Label</b>	Input status			<b>Unit</b>	-	<b>Structure</b>	VAR	<b>Type</b>	UINT 32
	<b>Access</b>	R0	<b>Mapping</b>	TPDO	<b>Mode</b>	CSP/PP/HM	<b>Range</b>	-21474836 48~214748 3647	<b>Default</b>	0
The bits of 60FDh object are functionally defined as follow:										
	<b>Bit31</b>	<b>Bit30</b>	<b>Bit29</b>	<b>Bit28</b>	<b>Bit27</b>	<b>Bit26</b>	<b>Bit25</b>	<b>Bit24</b>		
	Z signal	Reserved	Reserved	Reserved	Probe 2	Probe 1	BRAKE	INP/V-C OIN /TLC		
	<b>Bit23</b>	<b>Bit22</b>	<b>Bit21</b>	<b>Bit20</b>	<b>Bit19</b>	<b>Bit18</b>	<b>Bit17</b>	<b>Bit16</b>		

E-STOP	Reserve d	Reserve d	Reserve d	Reserve d	Reserve d	Reserve d	DI14	DI13
<b>Bit15</b>	<b>Bit14</b>	<b>Bit13</b>	<b>Bit12</b>	<b>Bit11</b>	<b>Bit10</b>	<b>Bit9</b>	<b>Bit8</b>	
DI12	DI11	DI10	DI9	DI8	DI7	DI6	DI5	
<b>Bit7</b>	<b>Bit6</b>	<b>Bit5</b>	<b>Bit4</b>	<b>Bit3</b>	<b>Bit2</b>	<b>Bit1</b>	<b>Bit0</b>	
DI4	DI3	DI2	DI1	Reserve d	HOME	POT	NOT	

<b>Index 60FEh-01</b>	<b>Label</b>	Output valid			<b>Unit</b>	-	<b>Structure</b>	VAR	<b>Type</b>	UInt 32
	<b>Access</b>	RW	<b>Mapping</b>	RPDO	<b>Mode</b>	F	<b>Range</b>	0x0~0x7FFF FFFFF	<b>Default</b>	0x0
The bits of 60FEh object are functionally defined as follow:										
	<b>Bit Sub-index</b>	<b>31~21</b>	<b>21</b>	<b>20</b>	<b>19</b>	<b>18</b>	<b>17</b>	<b>16</b>	<b>15~0</b>	
	01h	Reserve d	D06 valid	D05 valid	D04 valid	D03 valid	D02 valid	D01 valid	Reserve d	

<b>Index 60FEh-02</b>	<b>Label</b>	Output enabled			<b>Unit</b>	-	<b>Structure</b>	VAR	<b>Type</b>	UInt 32
	<b>Access</b>	RW	<b>Mapping</b>	RPDO	<b>Mode</b>	F	<b>Range</b>	0x0~0x7FFFFFFF F	<b>Default</b>	0xFFFFF000
The bits of a 60FEh object are functionally defined as follow:										
	<b>Bit Sub-index</b>	<b>31~21</b>	<b>21</b>	<b>20</b>	<b>19</b>	<b>18</b>	<b>17</b>	<b>16</b>	<b>15~0</b>	
	02h	Reserve d	D06 enabled	D05 enabled	D04 enabled	D03 enabled	D02 enabled	D01 enabled	Reserve d	

<b>Index 60FFh</b>	<b>Label</b>	Target velocity			<b>Unit</b>	Command unit	<b>Structure</b>	VAR	<b>Type</b>	Int 32
	<b>Access</b>	RW	<b>Mapping</b>	RPDO	<b>Mode</b>	CSV/PV	<b>Range</b>	-2147483647 ~2147483647	<b>Default</b>	0
Shows set target velocity. Limited by 6080h										

<b>Index 6502h</b>	<b>Label</b>	Supported operation modes			<b>Unit</b>	-	<b>Structure</b>	VAR	<b>Type</b>	UInt 32
	<b>Access</b>	R0	<b>Mapping</b>	TPDO	<b>Mode</b>	F	<b>Range</b>	0x0~0x7FFFF FFF	<b>Default</b>	0x0
Shows the control modes supported by the servo drive.										

## Chapter 4 Servo Drive Operation

### 4.1 Get Started with Driver Operation

#### 4.1.1 Checklist before operation

No.	Description
Power supply	
1	The voltage of main and control circuit power supply is within rated values.
2	Power supply polarity is rightly connected.
Wiring	
1	Power supply input is rightly connected.
2	Driver's power output UVW matches UVW terminals on the main circuit.
3	No short circuit of driver's input and output UVW terminals.
4	Signal cables are correctly and well connected.
5	Drivers and motors are connected to ground
6	All cables under stress within recommended range.
7	No foreign conductive objects inside/outside the driver.
Mechanical	
1	Driver and external holding brake are not place near combustibles.
2	Installations of driver, motor and axis is fastened.
3	Movement of motors and mechanical axes are not obstructed.

#### 4.1.2 Power On

Connect 380V power supply into main power supply R, S, T terminals and 220V power supply into control circuit power supply L1C, L2C. After power on, light indicator will light up and front panel will display **rEAdy**, then LED initial status will be displayed. Driver is ready for operation if no alarm occurs.

#### 4.1.3 Trial Run

Servo drive must be disabled before performing trial run. For safety precautions, please JOG under minimal velocity.

##### Related Parameters

No.	Parameters	Label	Set value	Unit
1	PA0.01	Control mode settings	9	/
2	PA6.04	JOG trial run command velocity	User defined	r/min
3	PA6.25	Trial run acc-/deceleration time	User defined	ms/1000rpm

- *Please make sure the mechanical axis is within the range of motion and travelled distance should not be too long to avoid collision.*
- *Set optimal velocity and acceleration for trial run (not too high!)*
- *Do not modify any gain related parameters during motion to avoid vibration.*

Please refer to “AF\_Jog Trial Run” for detailed explanations on how to perform trial run using front panel operation

#### 4.1.4 Motor rotational direction settings

Motor rotational direction can be changed through Pr0.06 without changing the polarity of the input command.

<b>Pr0.06</b>	Name	Command polarity inversion			Mode						F
	Range	0 ~ 1	Unit	—	Default	0	Index	2006h			
	Activation	After restart									
Used to change the rotational direction of the motor.											
<b>Set value</b>		<b>Details</b>									
0		Polarity of the command is not inverted. The direction of rotation is consistent with the polarity of command.									
1		Polarity of command is inverted. The direction of rotation is opposite to the polarity of command.									
Note: Rotational direction of the motor is recommended to be set through object dictionary 607E. However, Pr0.06 has higher priority than object dictionary 607E. 607E only takes effect when Pr0.06 = 0.											

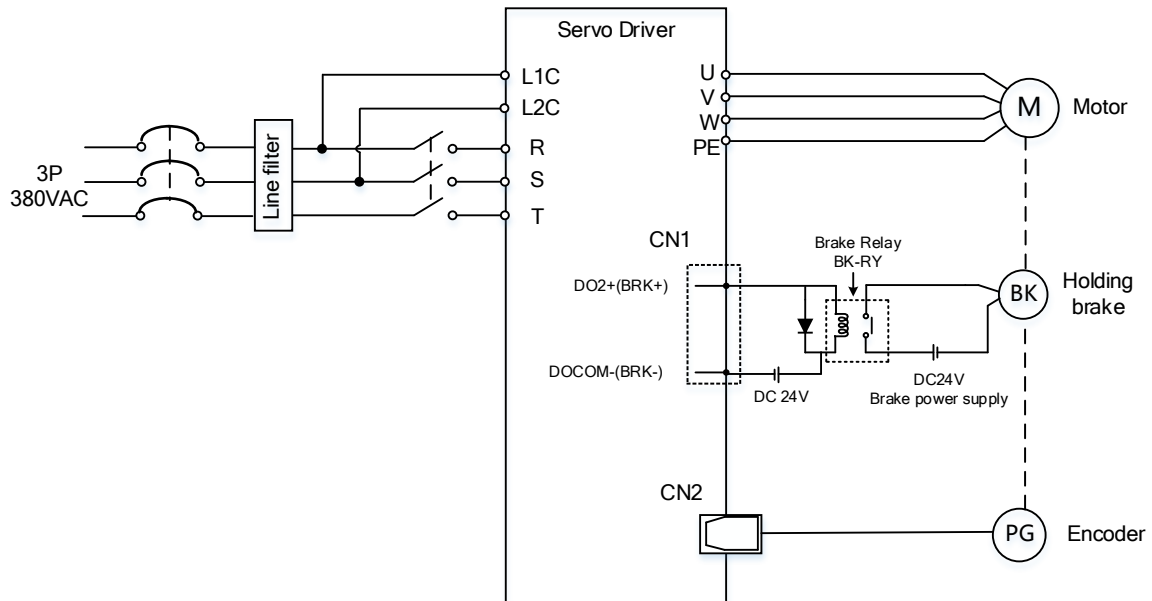
#### 4.1.5 Holding Brake Settings

Holding brake is designed to hold the axis in position to prevent it from sliding due to applied external forces when the driver is disabled. Holding brake is optional and depends on the model of motor chosen for the application.

- *Please only use holding brake when motor is stopped. No applicable when motor is in motion.*
- *Holding brake coil has no polarity.*
- *Motor should be disabled after stopped.*
- *There is some noise when motors with brake are in motion but that doesn't affect its functionality.*
- *Magnetic sensors might be affected when the holding brake is on. Please be aware.*

### Holding brake wiring

Holding brake input signal is without polarity. An isolated 24V switching power supply is recommended to prevent abnormal holding brake behavior in case of sudden drop in working current or voltage.



Wiring diagram of motor holding brake

## 4.1.6 Servo Running

### 1. Enable servo driver

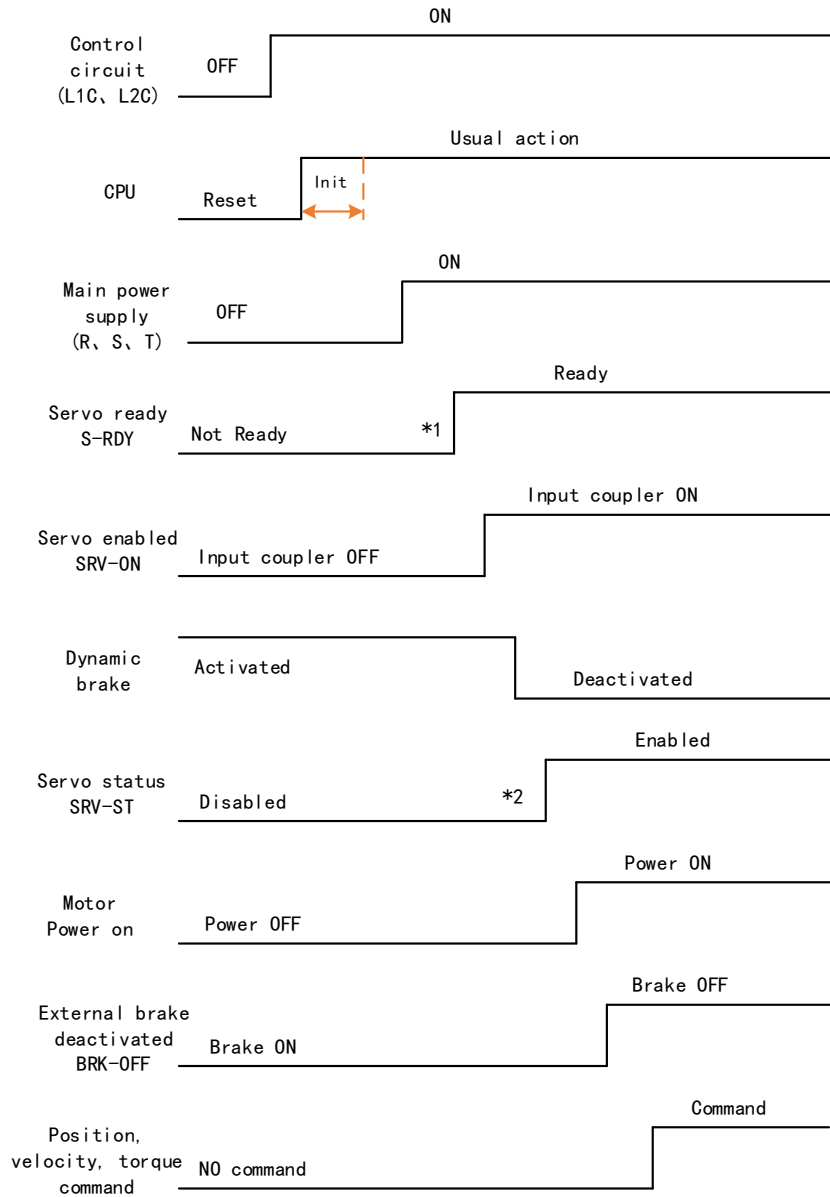
Check if CN3/CN4 is connected properly. Servo driver is in ready mode. Motor is stopped and holding brake is activated. Front panel display shows 402 state machine = Operational, EtherCAT communication status = operational, Running mode = 8, servo is in stop mode.



### 2. Motor starts to move after command input

- i. On first time operation, please use suitable command at low velocity. Confirm if motor is working normally.
- ii. Check if motor rotational direction is correct. If not, please check input command or parameter settings. (Pr0.06).
- iii. If motor is working normally, motion data such as motor rotational velocity "d01SP" and actual torque feedback "d04tr" can be monitored on the front panel or through Motion Studio.

### 3. Power on sequence diagram



Please enter servo status, position, velocity, torque command as sequence diagram above.

**\*\* 1.** S-RDY signal is given after CPU initialization and main power supply powered on.

**2.** SRV-ST signal is received when servo driver is enabled. Command input is not allowed yet.

## 4.1.7 Servo stop

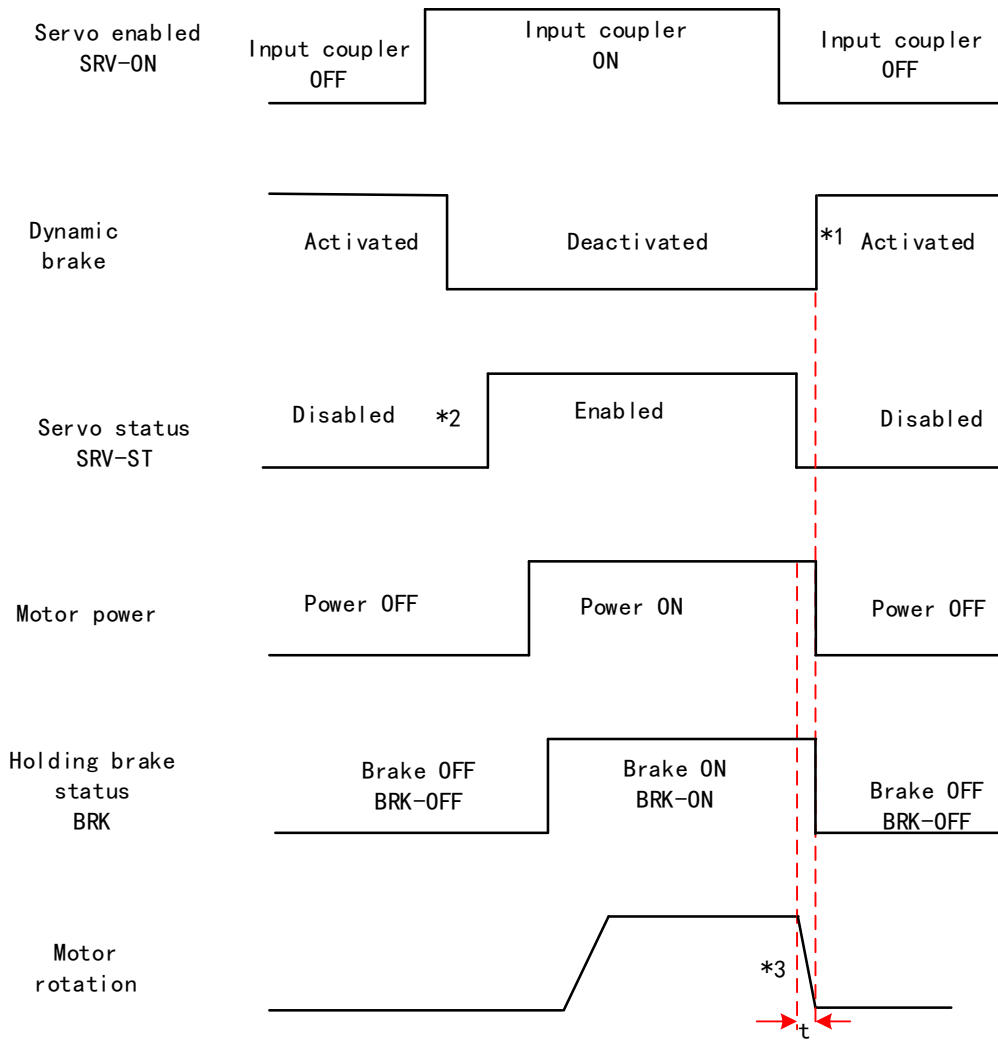
Servo stopping are of 3 different methods: Servo braking method, free stopping method, dynamic braking method.

Stopping method	Description	Details
Servo braking	Servo driver delivers braking torque in opposite direction	Quick stopping but mechanical impact might exist
Free stopping	Motor power cut off. Free to move until velocity = 0. Affected inertia, friction and other factors	Smooth deceleration, low mechanical impact but slow stopping
Dynamic braking	Brake activated when in motion	Quick stopping but mechanical impact might exist

Stopping status	Status after stopped
Free moving	Motor is powered off, rotor is free to rotate
Dynamic braking	Motor is powered off, rotor is not free to rotate
Holding brake stopping	Motor axis is locked, cannot rotate freely

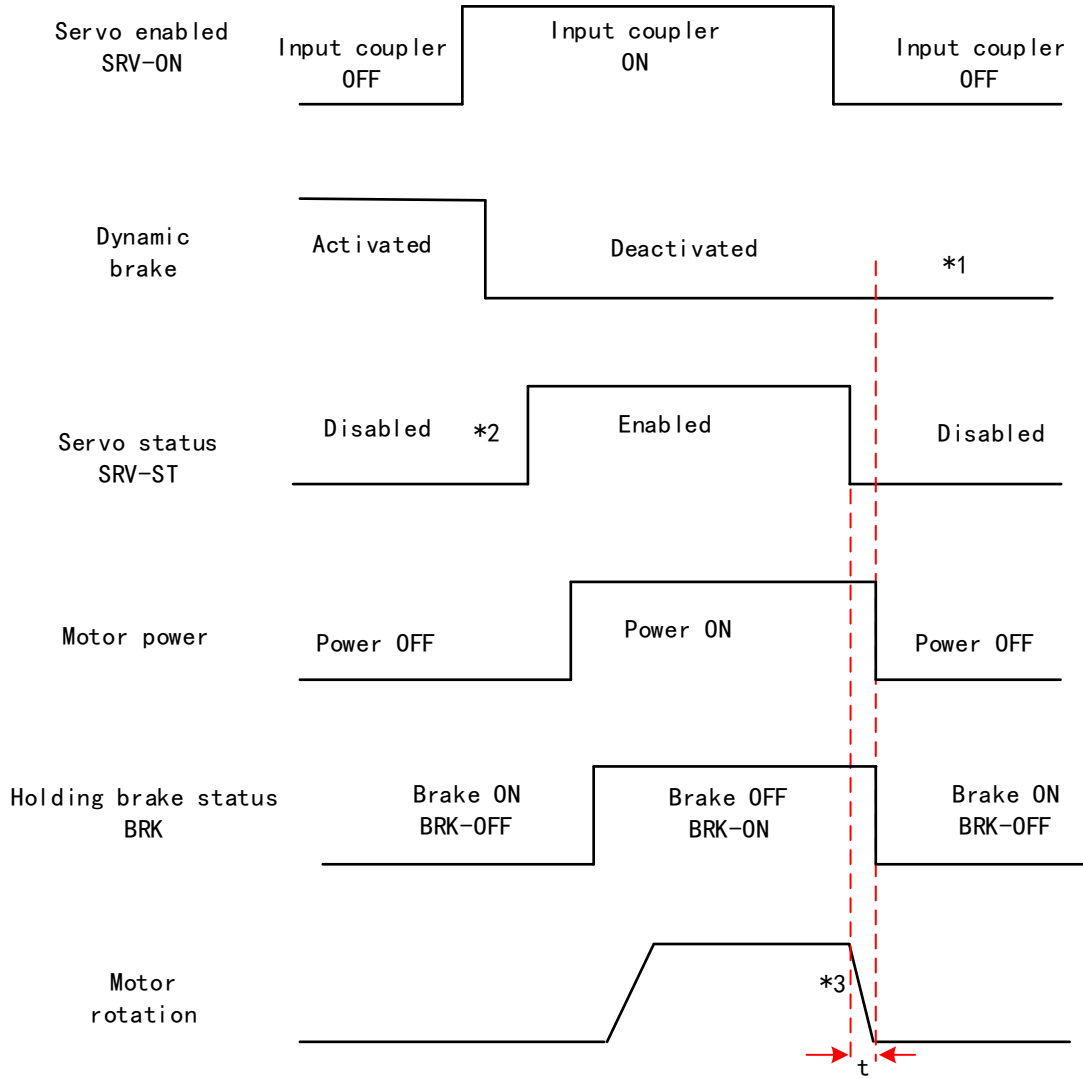
**Motor stopping (Servo disabled) - Sequence Diagram**

Servo braking method. Status after stopping: Dynamic braking

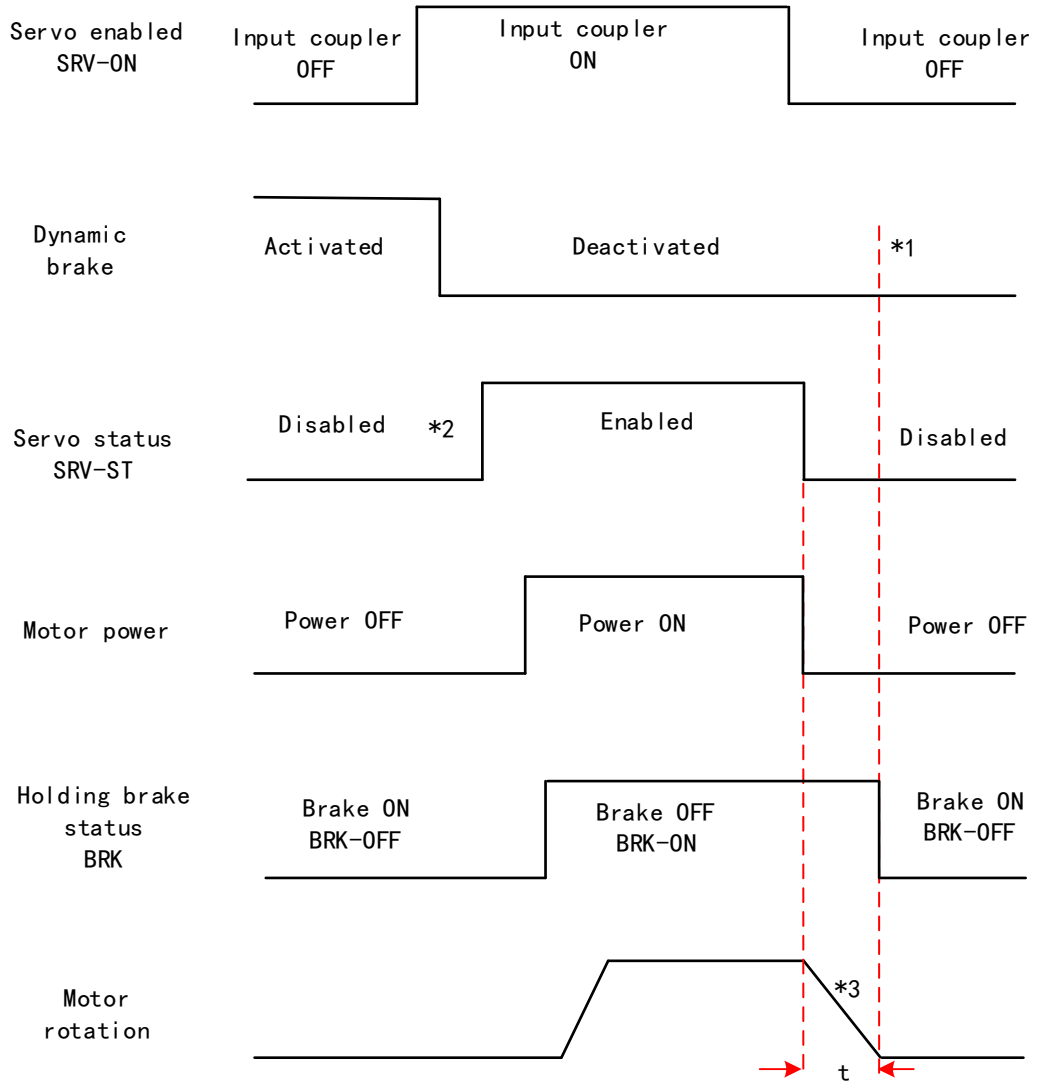


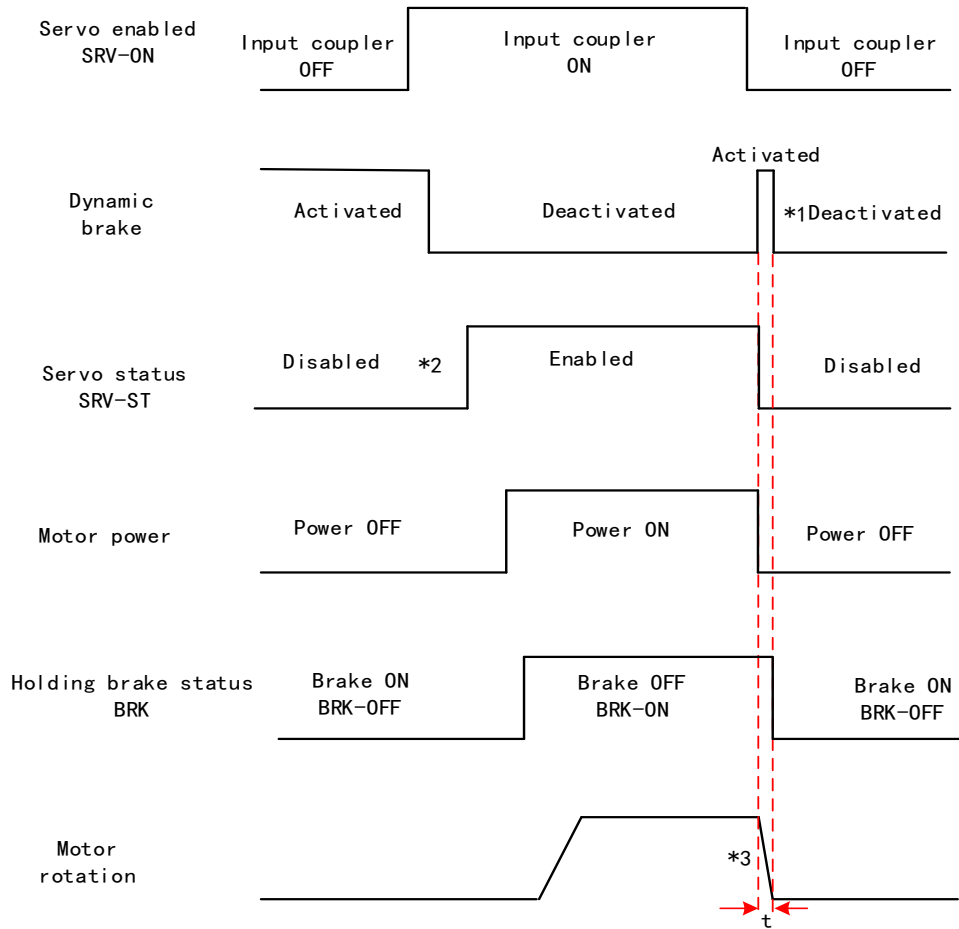


Servo stopping method. Status after stopping: free moving



Free stopping method. Status after stopping: Free moving



**Dynamic braking method. Status after stopping: Free moving**


**\*\*1.** Status after stopping is as defined in Pr5.06.

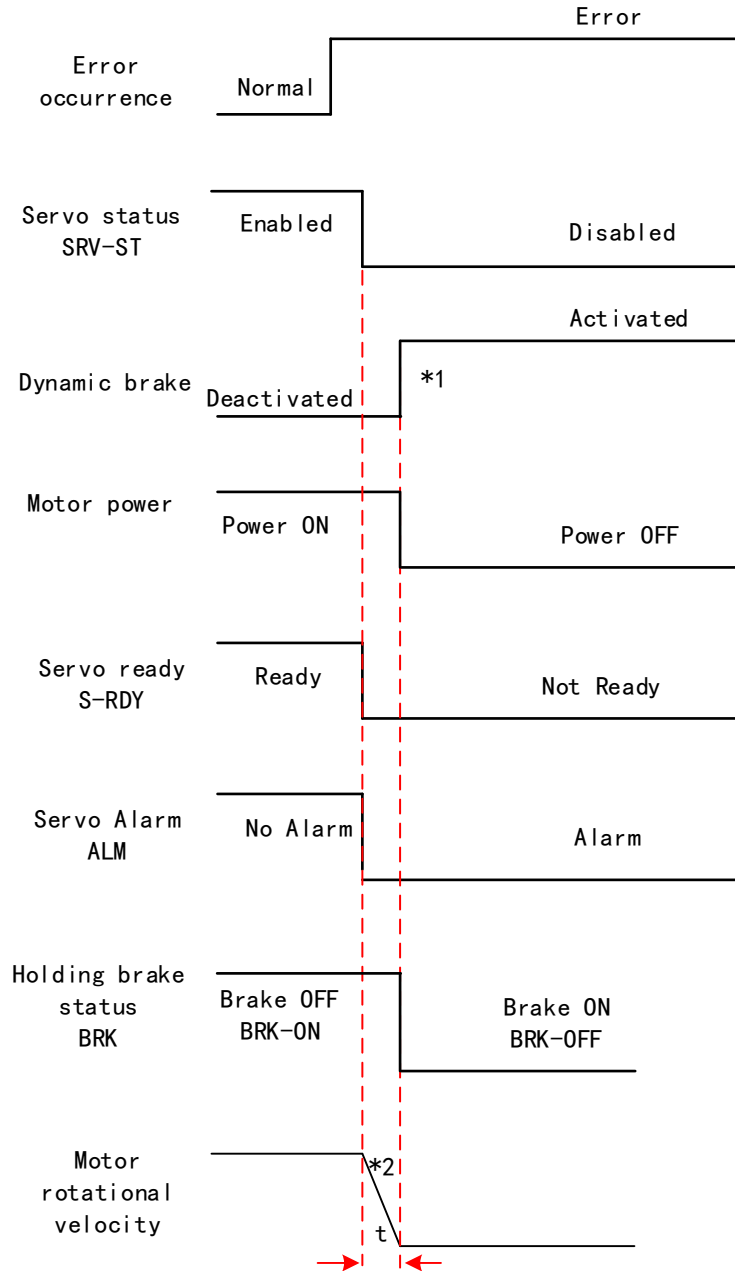
**2.** SRV-ST signal is received when servo driver is enabled. Command input is not allowed yet.

**3.** Servo stopping method is as defined in Pr5.06; braking torque in opposite direction to decelerate the motor is as defined in Pr5.11. Deceleration time  $t$  is determined by whichever comes first between time set in Pr6.14 and time needed for motor to drop below velocity set in Pr4.39. After deceleration time  $t$ , dynamic braking will be off and holding brake signal will be set to OFF (Holding brake is activated. Although BRK-OFF signal is valid, actual activation of holding brake is dependent on whether the motor comes with holding brake).

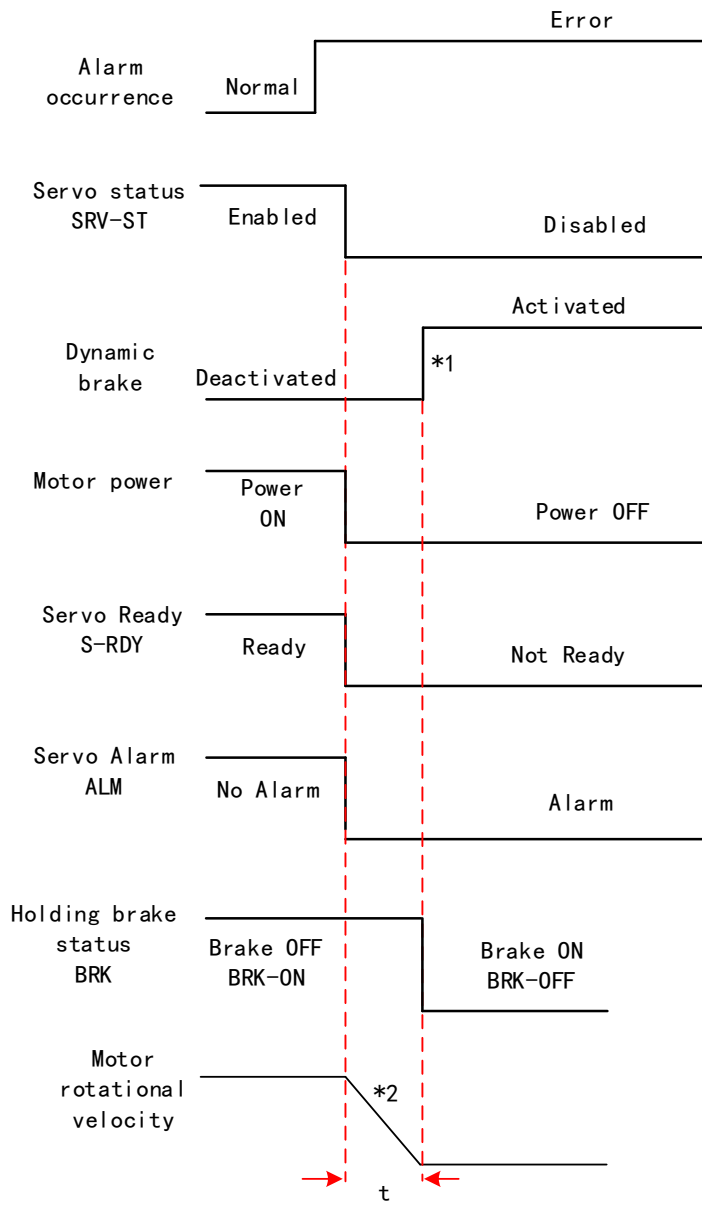
**4.** BRK-ON signal doesn't indicate the activation of holding brake but the validation of the signal. Holding brake is not applied when BRK-ON signal is valid. Same idea goes for BRK-OFF signal.

**Stopping when alarm occurs – Sequence Diagram**

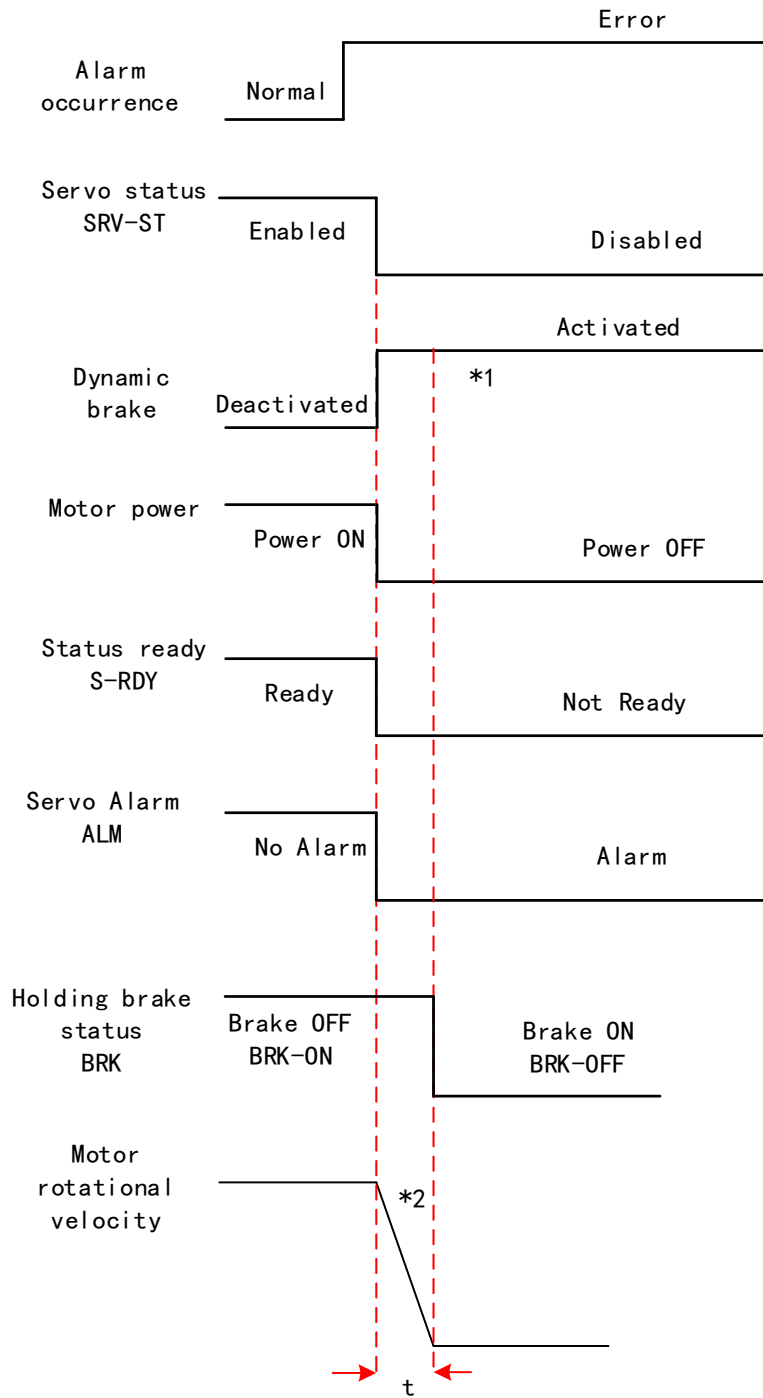
Servo braking method. Status after stopping: Dynamic braking



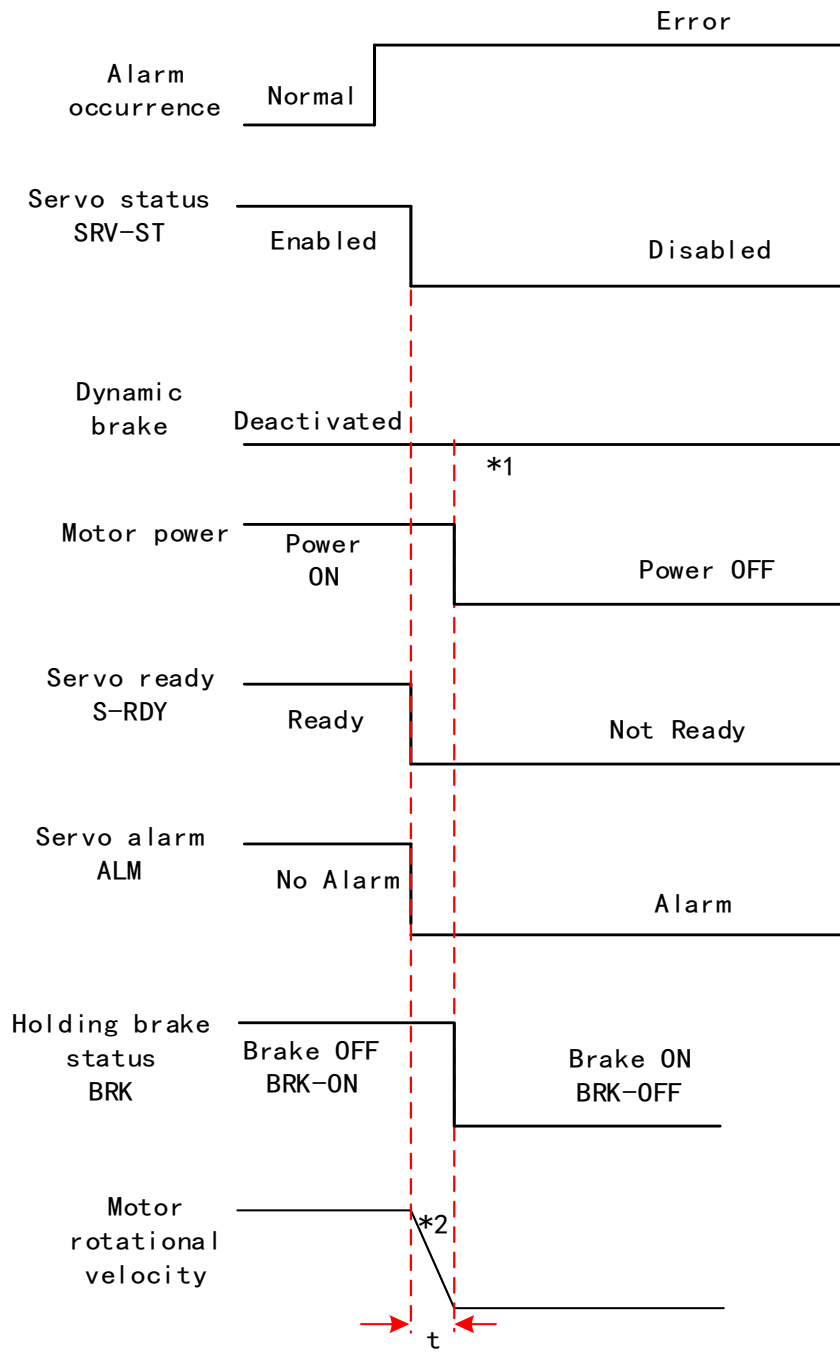
Free stopping method. Status after stopping: Dynamic braking



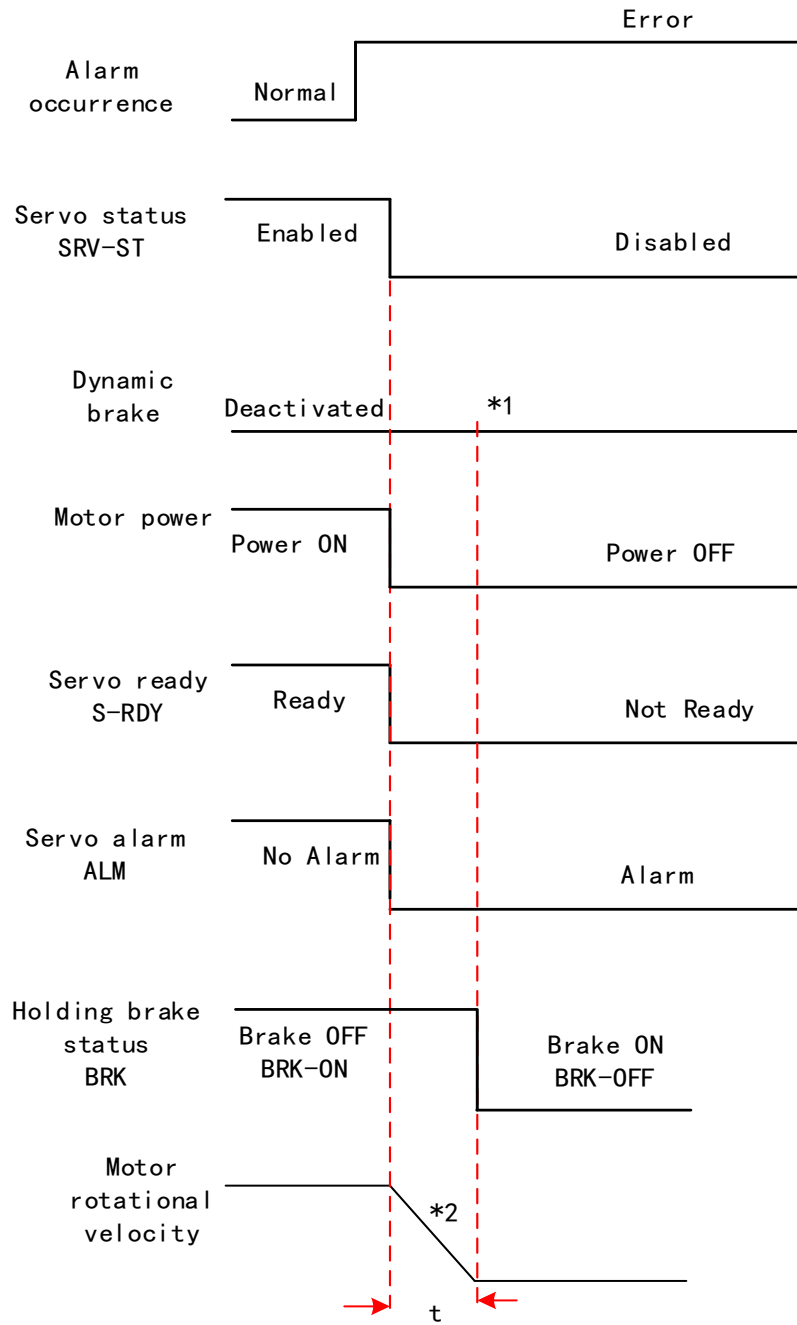
Dynamic braking method. Status after stopping: Dynamic braking



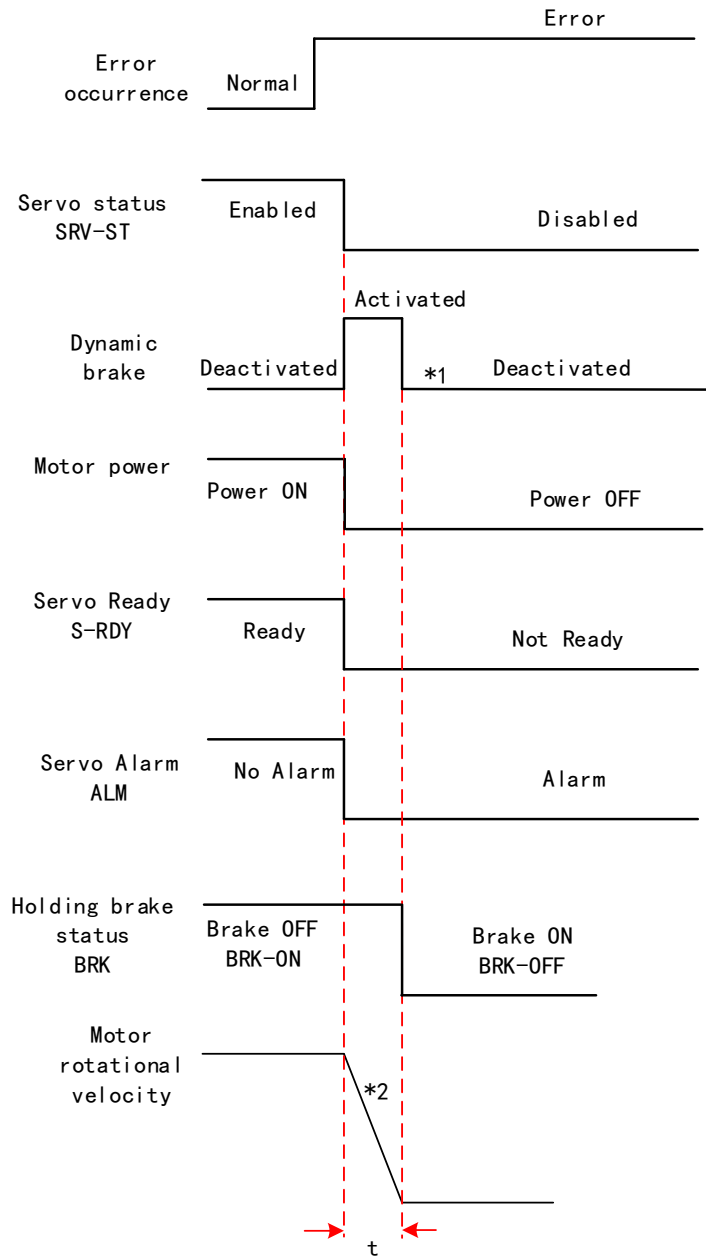
Servo braking method. Status after stopping: Free moving



Free stopping method. Status after stopping: Free moving





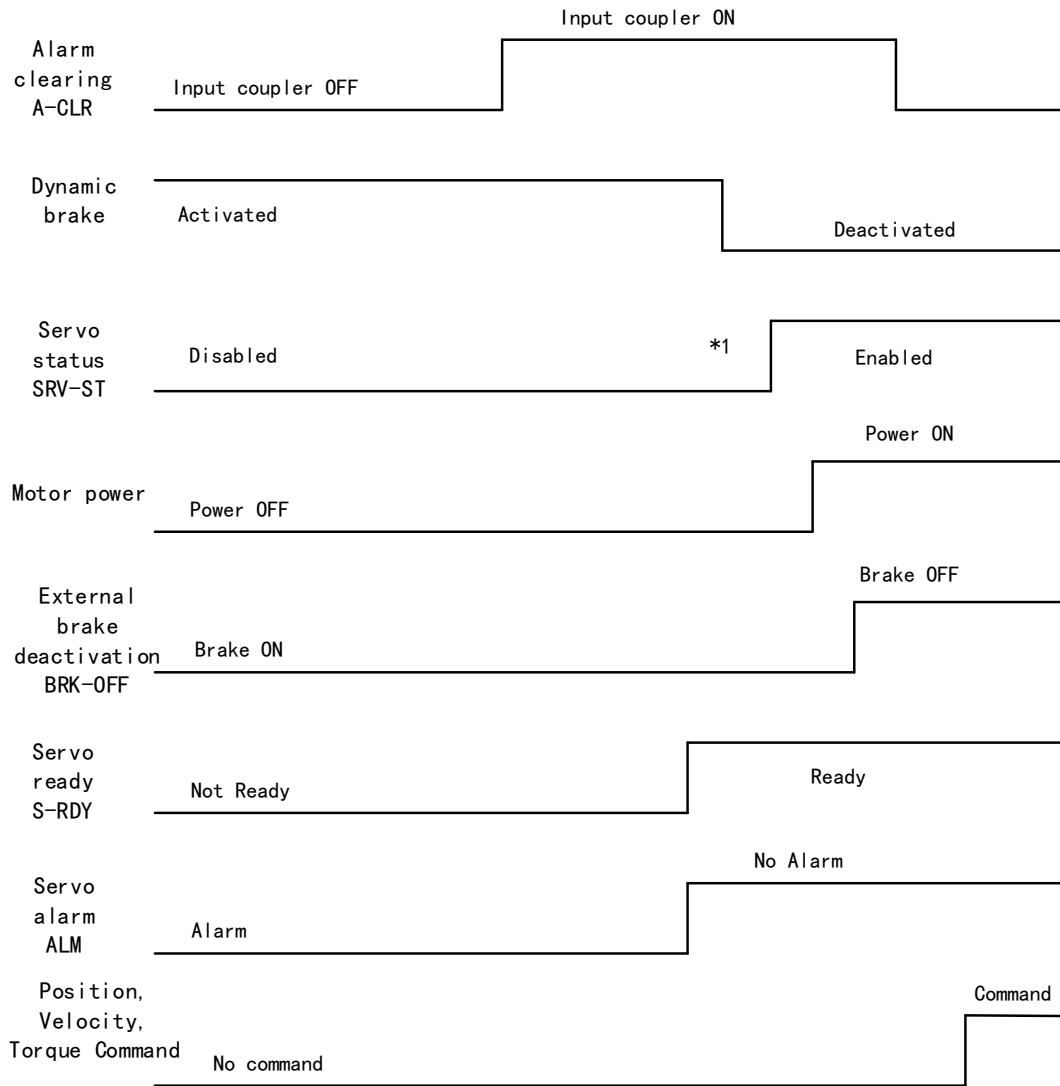
**Dynamic braking. Status after stopping: Free moving**


**\*\* 1.** Status after stopping is as defined in Pr5.10.

**2.** Servo stopping method is as defined in Pr5.10. Deceleration time  $t$  is determined by whichever comes first between time set in Pr6.14 and time needed for motor to drop below velocity set in Pr4.39. After deceleration time  $t$ , dynamic braking will be off and holding brake signal will be set to OFF (Holding brake is activated. Although BRK-OFF signal is valid, actual activation of holding brake is dependent on whether the motor comes with holding brake).

**3.** BRK-ON signal doesn't indicate the activation of holding brake but the invalidation of the signal. Holding brake is not applied when BRK-ON signal is valid. Same idea goes for BRK-OFF signal.

## Alarm clearing - Sequence diagram



**\*\* 1.** SRV-ST signal is received when servo driver is enabled. Command input is not allowed yet

**2.** BRK-OFF signal doesn't indicate the deactivation of holding brake but the invalidation of the signal. Holding brake is applied when BRK-OFF signal is invalid.

## 4.2 Electronic gear ratio

When loaded axis moved for 1 command unit, it corresponds to motor encoder unit which is converted in more comprehensible physical units such as  $\mu\text{m}$ . The use of electronic gear ratio is to turn the movement in physical units to required pulse count equivalency.

$$\text{Electronic gear ratio} = \frac{\text{Rotor movement (Encoder unit)}}{\text{Loaded axis movement(Command unit)}}$$

Rotor might be connected to load through reducer or other mechanical structures. Hence, the gear ratio is closely related to reducer gear ratio, position encoder resolution and mechanical dimensions related parameters.

$$\text{Electronic gear ratio} = \frac{\text{Encoder resolution}}{\text{Loaded axis resolution}}$$

Electronic gear can be set through Pr0.08. If Pr0.08  $\neq$  0, Pr0.08 is valid. If Pr0.08 = 0, object dictionary 6092-01 is valid.

Command pulse count per motor revolution needs to be  $\geq$  Encoder Pulse Count per Revolution / 8000.

EL7-EC series comes with motors with 23-bit encoder. Pulse count per revolution for 23-bit encoder = 8388608. From the condition above, the command pulse count per motor revolution for 23-bit encoder  $\geq$  1049.

<b>Pr0.08</b>	<b>Name</b>	Command pulse counts per revolution			<b>Mode</b>						<b>F</b>
	<b>Range</b>	0~8388608	<b>Unit</b>	P-	<b>Default</b>	0	<b>Index</b>	2008h			
	<b>Activation</b>	After restart									
Pulses per revolution can be set using object dictionary 608F, 6091, 6092. However, Pr0.08 has higher priority.											

<b>Index 608Fh-01</b>	<b>Name</b>	Encoder resolution			<b>Unit</b>	Encoder unit	<b>Structure</b>	VAR	<b>Type</b>	UInt 32
	<b>Access</b>	R0	<b>Mapping</b>	TPDO	<b>Mode</b>	F	<b>Range</b>	1~2147483647	<b>Default</b>	0
To set encoder resolution										
<b>Index 6091h-01</b>	<b>Name</b>	Electronic gear ratio numerator			<b>Unit</b>	r	<b>Structure</b>	VAR	<b>Type</b>	Dint 32
	<b>Access</b>	RW	<b>Mapping</b>	RPDO	<b>Mode</b>	F	<b>Range</b>	1-2147483647	<b>Default</b>	1
To set electronic gear ratio numerator										

<b>Index</b> 6091h-02	<b>Name</b>	Electronic gear ratio denominator			<b>Unit</b>	r	<b>Structure</b>	VAR	<b>Type</b>	Dint 32
	<b>Access</b>	RW	<b>Mapping</b>	RPDO	<b>Mode</b>	F	<b>Range</b>	1-21474 83647	<b>Default</b>	1
To set electronic gear ratio denominator										
<b>Index</b> 6092h-01	<b>Name</b>	Number of pulses per rotation			<b>Unit</b>	Command unit/r	<b>Structure</b>	VAR	<b>Type</b>	Uint 32
	<b>Access</b>	RW	<b>Mapping</b>	RPDO	<b>Mode</b>	F	<b>Range</b>	1-21474 83647	<b>Default</b>	10000
If 6092h-01(Feed constant) is not equal to 608Fh(Position encoder resolution), then: Electronic gear ratio = Encoder resolution / 6092h-01  If 6092h-01(Feed constant) is equal to 608Fh(Position encoder resolution), then: Electronic gear ratio = 6091-01 / 6092h-01										

## 4.3 Front Panel

Servo Driver front panel consists of 5 push buttons and a 8-segments display. Can be used for displaying of status, alarms, functions, parameters setting and auxiliary functions.



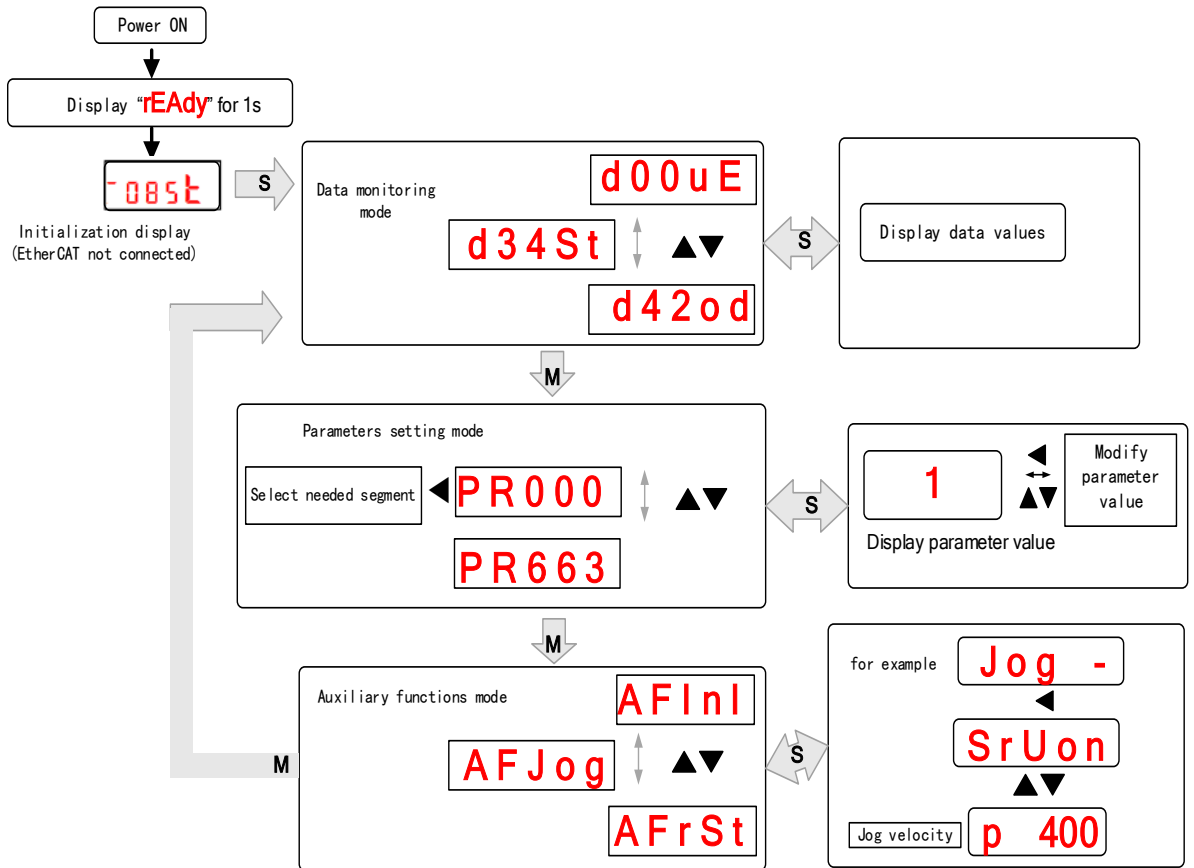
Front panel

### Buttons and functions

Label	Symbol	Function
Display	/	Consists of 5 push buttons and a 8-segments display
Mode	M	To switch between 4 modes: 1. Data monitoring mode : To monitor changes of motion data values 2. Parameters setting mode : To set parameters 3. Auxiliary functions mode: To operate common functions, such as trial run, alarm clearing
Enter	S	To enter or confirm
Up	▲	To switch between sub-menus / Increase
Down	▼	To switch between sub-menus / Decrease
Left	◀	To switch between values

## 4.4 Panel Display and Operation

### 4.4.1 Panel Operation



**Flow diagram of panel operation**

(1) **rEAdY** will be displayed for about 1 second after driver is powered on. Then, automatically enters data monitoring mode and displays initial data value. Otherwise, alarm code will be displayed if error occurs.

(2) Press **M** key to switch between modes.

Data monitoring mode → Parameters setting mode → Auxiliary functions mode

Alarm code will be displayed regardless of any mode if alarm occurs. Press **M** to switch to other modes.

(3) Press **▲** or **▼** to select the type of parameters in data monitoring mode. Press **S** to confirm.

(4) Press **◀** to select current segment in parameters settings mode. Press **▲** or **▼** to

increase/decrease the value of segment. Press **S** to confirm the modified value(s) and save the parameters.

#### 4.4.2 Data Monitoring Mode

EL7 series servo driver offers the function to monitor different types of data in data monitoring mode. After entering this mode, press **S** to monitor any data that starts with **d**. Press **S** again to get back to data monitoring mode and **M** to switch to any other modes.

**Data list in data monitoring mode**

No.	Label	Descriptions	Display	Unit	Data Format (x = numerical value)
0	d00uE	Position command deviation	d00uE	pulse	"xxxx"
1	d01SP	Motor velocity	d01SP	r/min	"r xxxx"
2	d02CS	Position control command velocity	d02CS	r/min	"xxxx"
3	d03Cu	Velocity control command velocity	d03Cu	r/min	"xxxx"
4	d04tr	Actual feedback torque	d04tr	%	"xxxx"
5	d05nP	Feedback pulse sum	d05nP	pulse	"xxxx"
6	d06cP	Command pulse sum	d06cP	pulse	"xxxx"
7	d07	Maximum torque during motion	d07	/	" xxxx"
8	d08FP	Internal command position sum	d08FP	pulse	"xxxx"
9	d09cn	Control mode	d09Cn	/	EtherCAT: "CtPoS"
10	d10Io	I/O signal status	d10 Io	/	-
11	d11Ai	Internal usage	d11Ai	V	-
12	d12Er	Error cause and record	d12Er	/	"Er xxx"
13	d13rn	Warning	d13rn	/	"xxx"
14	d14r9	Regeneration load factor	d14r9	%	"xxx"
15	d15oL	Overload factor	d15oL	%	"xxx"
16	d16Jr	Inertia ratio	d16Jr	%	"xxx"
17	d17ch	Motor not running cause	d17Ch	/	"CP xxx"
18	d18ic	No. of changes in I/O signals	d18ic	/	"xxx"
19	d19	No. of times of overcurrent	d19	/	" xxxx"
20	d20Ab	CSP position command sum	d20Ab	pulse	" xxxx"
21	d21AE	Single turn encoder data	d21AE	pulse	" xxxx"
22	d22rE	Multiturn encoder data	d22rE	r	" xxxx"
23	d23 id	Communication axis address	d23id	/	"id xxx" "Fr xxx"
24	d24PE	Position deviation	d24PE	Unit	" xxxx"

25	d25PF	Motor electrical angle	<b>d25PF</b>	pulse	"xxxx"
26	d26hy	Motor mechanical angle	<b>d26hy</b>	pulse	"xxxx"
27	d27 Pn	Voltage across PN	<b>d27Pn</b>	V	"xxxx"
28	d28 no	Software version	<b>d28no</b>	/	"d xxx Servo software" "F xxx Communication software" "p xxx Servo power rating"
29	d29AS	Internal usage	<b>d29AS</b>	/	"xxx"
30	d30NS	No. of times of encoder communication error	<b>d30sE</b>	/	"xxx"
31	d31 tE	Accumulated operation time	<b>d31tE</b>	/	"xxxx"
32	d32Au	Automatic motor identification	<b>d32Au</b>	/	"r xxx Motor no." "E xxx Servo no."
33	d33At	Driver temperature	<b>d33At</b>	°C	"xxx"
34	d34	Servo status	<b>d34</b>	/	"xxx"
35	d35 SF	Internal usage	<b>d35SF</b>	/	"xxxxxx"
<b>Following are parameters related to EtherCAT bus</b>					
36	d36	Synchronizing cycle	<b>d36dc</b>	ms	"xxxxxx"
37	d37	No. of times of synchronization loss	<b>d37sc</b>	/	"xxxxxx"
38	d38	Synchronization Type	<b>d38st</b>	freerun/DC	"xxxxxx"
39	d39	If DC is running	<b>d39dr</b>	/	"xxxxxx"
40	d40	Acceleration and deceleration status	<b>d40sn</b>	/	"xxxxxx"
41	d41	Object dictionary address	<b>d41od</b>	/	"xxxxxx" Index(4 bit)+subindex(2 bit)
42	d42	Object dictionary value	<b>d42od</b>	/	"xxxxxx" 1、 If OD does not exist, ODNEXT is displayed. 2、 If OD is out of range, ODRNG is displayed.

If EtherCAT is not connected, "**085t**" is displayed after power on.

#### Description of data monitoring function

When using the front panel to monitor data, data is divided in low/high bit and positive/negative.

Data is differentiated as below.

**. 2 .**

**6 0 8 8 5**

High bit: 1<sup>st</sup> and 2<sup>nd</sup> values on the right has two decimal points  
Low bit: 1<sup>st</sup> and 2<sup>nd</sup> values on the right has no decimal point.

. . 5 0

5 0

Positive: 1<sup>st</sup> and 2<sup>nd</sup> values on the left has no decimal point.  
 Negative: 1<sup>st</sup> and 2<sup>nd</sup> values on the left has two decimal points

**1. d00uE Position command deviation**

Shows high bit and low bit of position deviation

. . 8 0

Position command deviation

Positive: 1<sup>st</sup> and 2<sup>nd</sup> values on the left has no decimal point.  
 Negative: 1<sup>st</sup> and 2<sup>nd</sup> values on the left has two decimal points

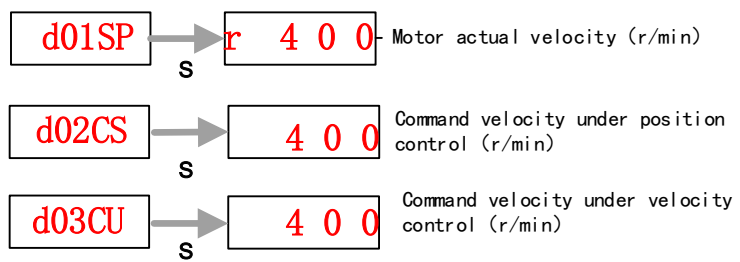
Press ◀ to switch between low and high bit  
 Example : Position command deviation=260885

.2.

6 0 8 8 5

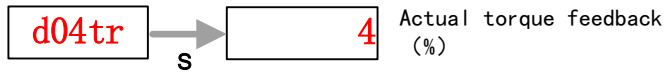
High bit: 1<sup>st</sup> and 2<sup>nd</sup> values on the right has two decimal points  
 Low bit: 1<sup>st</sup> and 2<sup>nd</sup> values on the right has no decimal point.

**2. d01SP Motor velocity,d02CS Position control command velocity,d03CU Velocity control command velocity**



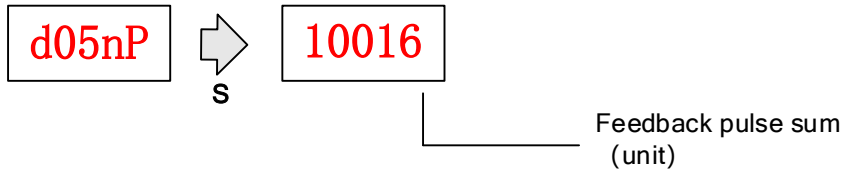


**3. d04tr Actual torque feedback**

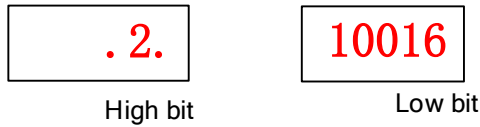


**4. d05nP Feedback pulse sum d06CP Command pulse sum**

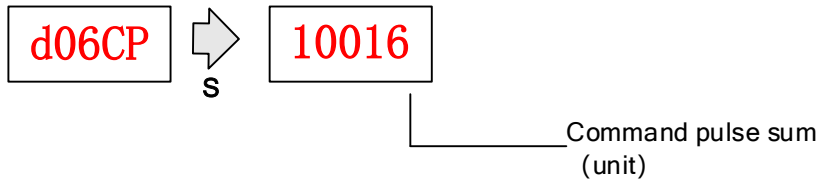
Feedback pulse sum(Encoder feedback pulse)



Press ◀ to switch between high/low bit  
Example: Feedback pulse sum=210016



Command pulse sum (Command pulse)



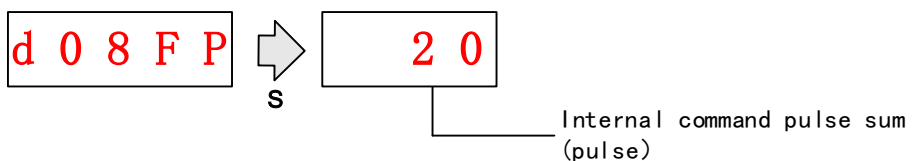
Press ◀ to switch between high/low bit  
Example: Command pulse sum=210017



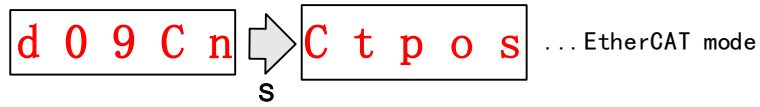
**5. d07 Maximum torque during motion**



**6. d08FP Internal command pulse sum**



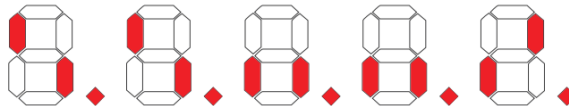
7. d09Cn Control mode



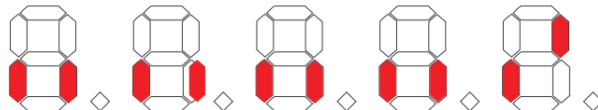
8. d10Io I/O signal status

When the top half of the digital tube is lighted, the signal is valid; when the bottom half of the digital tube is lighted, the signal is not valid. Decimal points represent I/O status, input when lighted, output when not lighted.

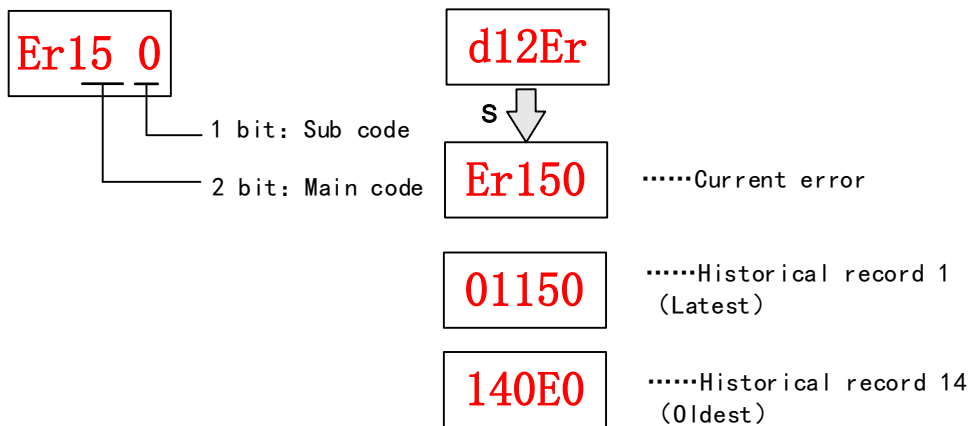
- Input:** From low to high bit(Right to left) DI1,DI2...DI10. Decimal point is lighted to represent input signals.  
 In the example below, DI1, DI8 and DI10 input signal is valid; DI2-DI7, DI9 input signal is invalid.



- Output:** From low to high bit(Right to left) DO1,DO2...DO10. Decimal point is not lighted to represent output signals.  
 In the example below, DO1 output signal is valid; DO2-DO10 output signal is invalid.



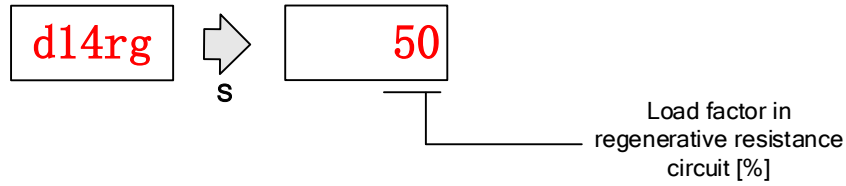
9. d12Er Alarm cause and historical record



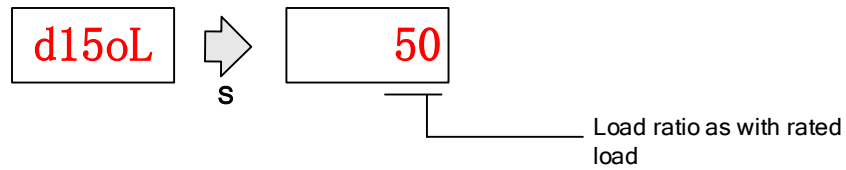
Press▲▼to check error historical record up to 14 records.

## 10. d14rg Regenerative load factor d15oL Overload factor

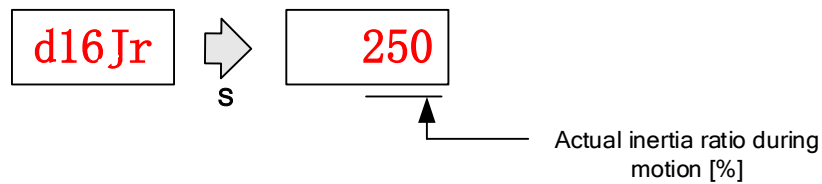
Regenerative load factor (Er120 might occur, if the value increases indefinitely)



Overload factor (Er100 might occur, if the value increases indefinitely)

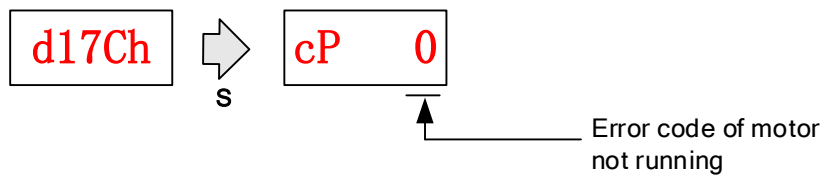


## 11. d16Jr Inertia ratio



Please refer to Inertia Measuring section for detailed explanations.

## 12. d17Ch Motor not running cause

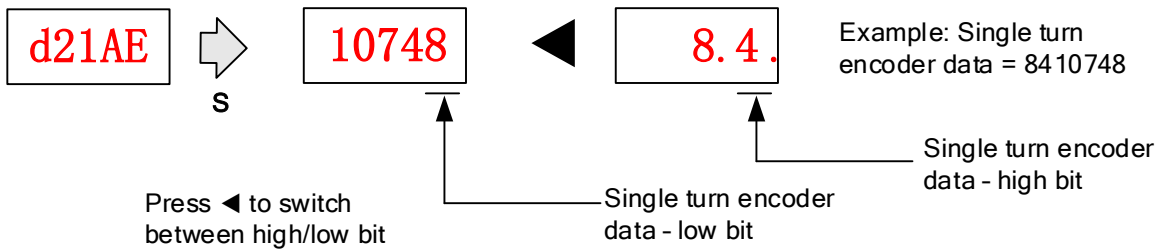


### "d17Ch" Motor No Running Cause - Codes & Descriptions

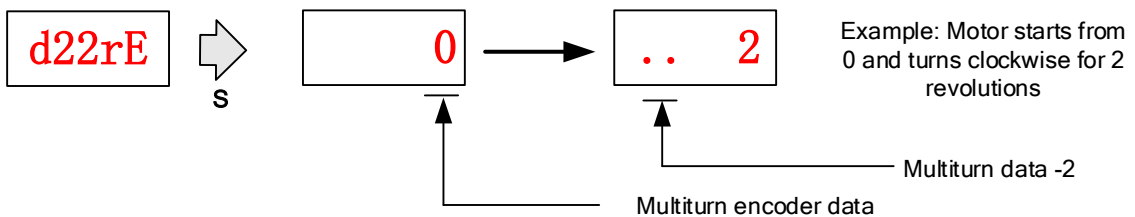
Display Code	Description	Content
cP 1	DC bus undervoltage	/
cP 2	No SRV-ON signal	Servo-ON input (SRV-ON) is not connected to COM-
cP 3	POT/NOT input valid	Pr5.04 = 0, POT is in open circuit, velocity command is in positive direction NOT is in open circuit, velocity command is in negative direction

cP 4	Driver alarm	/
cP 5	Relay not clicked	/
cP 6	Emergency stop valid	/
cP 7	Position command too low	/
cP 8	Torque limitation	/
cP 9	Zero speed clamp valid	Pr3.15 = 1, Zero speed clamp input is open
cP 10	Velocity mode command velocity too low	In velocity mode, the command velocity is too low
cP 12	Torque mode command torque too low	In torque mode, the torque limit is too low.
cP 13	Velocity limit	Emergency stop command from main bus is valid

### 13、d21AE Single turn encoder data d22rE Multiturn encoder data

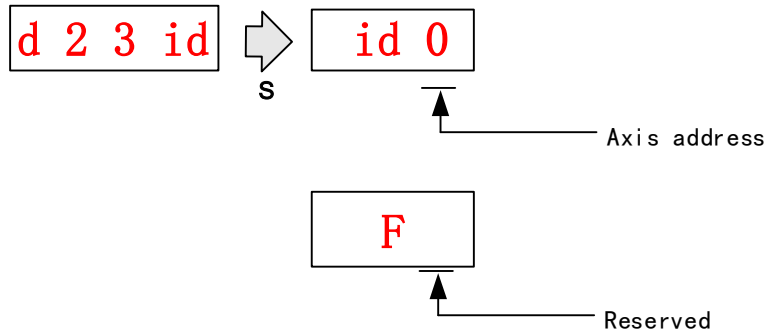


For 23-bit encoder, single turn encoder data = 0~8388607. Each value corresponds to certain position in a single revolution of the rotor, clockwise motion as negative, counter clockwise motion as positive. When counter clockwise single turn data > 8388607, multiturn data +1, clockwise single turn data < 0, multiturn data -1.

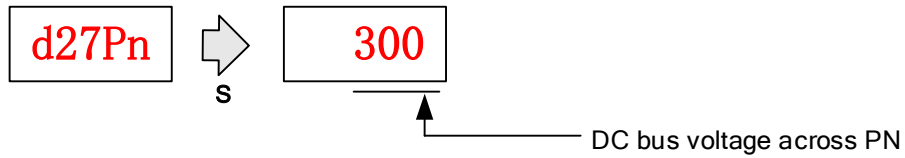


Multiturn encoder data range: -32768~+32767, As no. of revolution goes over range, 32767 will jump to -32768、-32767(counter clockwise); -32768 will jump to 32767、32766 (clockwise)

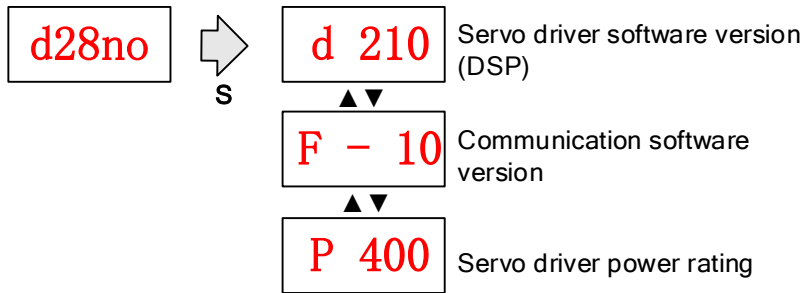
**14.d23id Communication axis address**



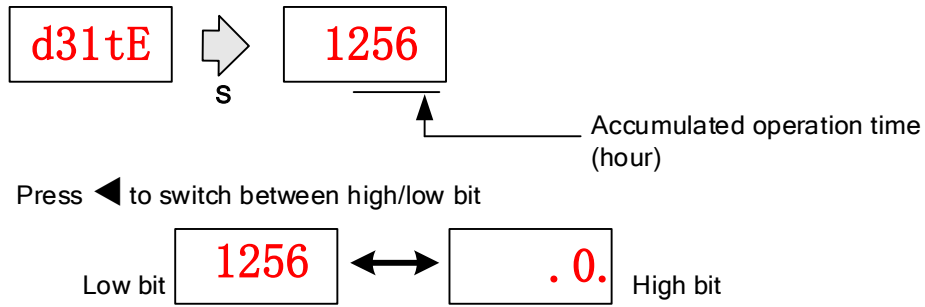
**15. d27Pn DC bus voltage**



**16. d28no Software version**

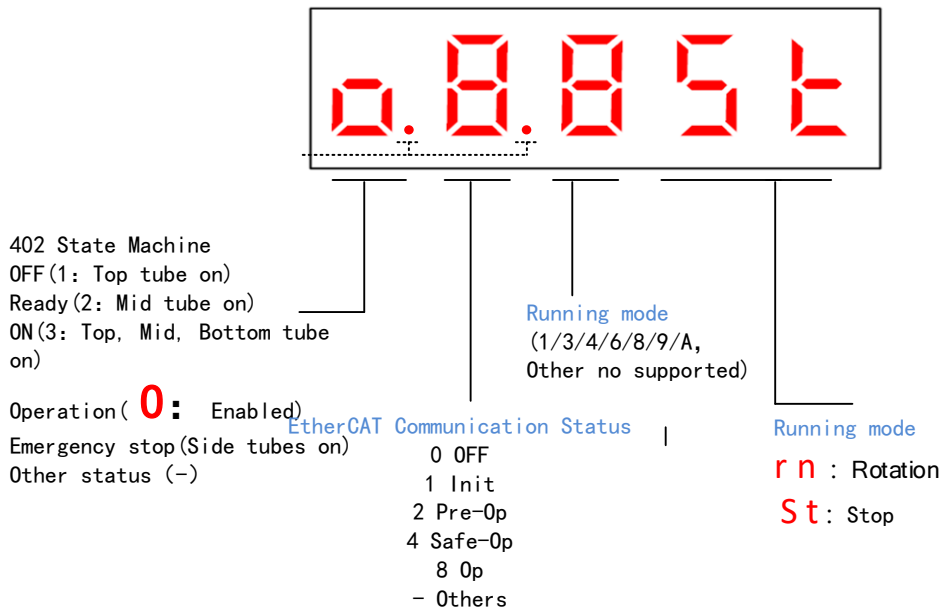


**17. d31tE Accumulated operation time**



**18. d34 Servo driver status display**

Driver status: 402 state machine, EtherCAT communication, running mode, running



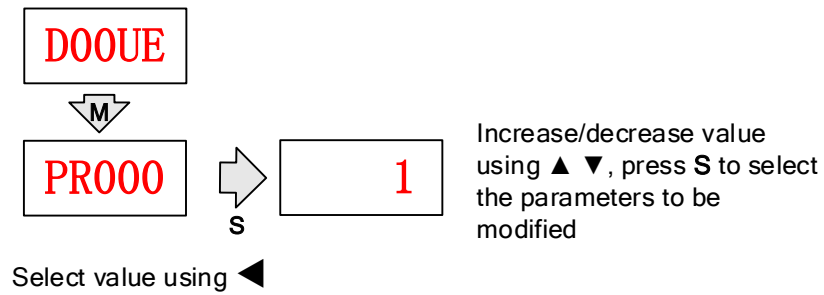
### Display setting at power on

- Default setting for initialization display settings at power on is **d34**, if any other display is required, please set on Pr5.28.

Please refer to Pr5.28 for any display content required on the front panel during initialization

Pr5.28	Name	LED initial status			Mode						F
	Range	0~42	Unit	–	Default	34	Index	2528h			
	Activation	After restart									
To set content display on front panel of the servo driver at servo driver power on.											
Set value	Content	Set value	Content	Set value	Content	Set value	Content	Set value	Content	Set value	Content
0	Position command deviation	15	Overload rate	30	No. of encoder communication error						
1	Motor speed	16	Inertia ratio	31	Accumulated operation time						
2	Position command velocity	17	No rotation cause	32	Automatic motor identification						
3	Velocity control command	18	No. of changes in I/O signals	33	Driver temperature						
4	Actual feedback torque	19	Number of over current signals	34	Servo status						
5	Sum of feedback pulse	20	Absolute encoder data	35	/						
6	Sum of command pulse	21	Single turn position	36	Synchronous period						
7	Maximum torque during motion	22	Multiturn position	37	No. of synchronous loss						
8	/	23	Communication axis address	38	Synchronous type						
9	Control mode	24	Encoder position deviation	39	Whether DC is running or not						
10	I/O signal status	25	Motor electrical angle	40	Acceleration/Deceleration status						
11	/	26	Motor mechanical Angle	41	Sub-index of OD index						
12	Error cause and history record	27	Voltage across PN	42	Value of sub-index of OD index						
13	Alarm code	28	Software version								
14	Regenerative load rate	29	/								

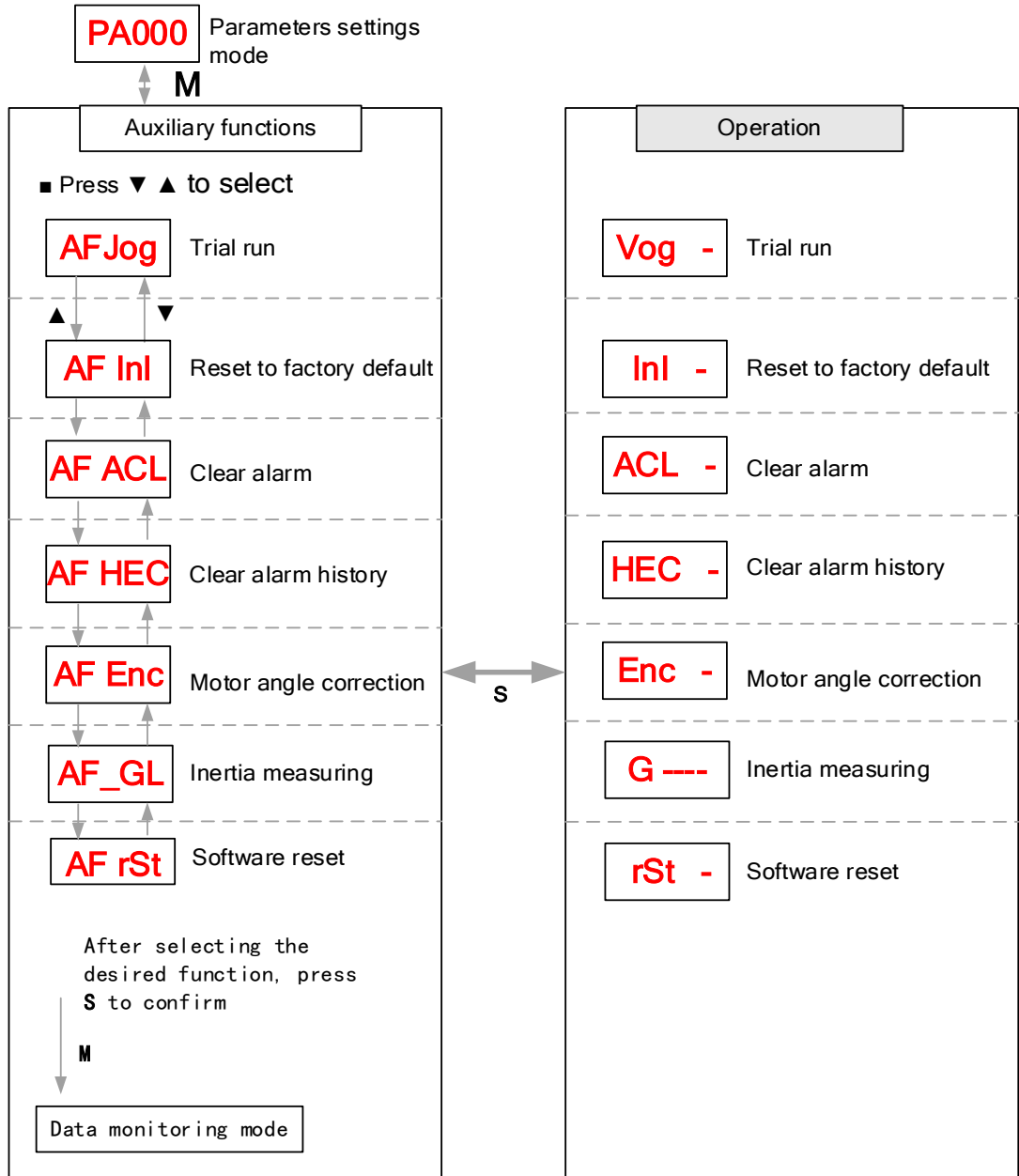
## 4.4 Parameter saving using front panel



After modifying the selected parameter to desired values, press **S** to confirm and save the changes.

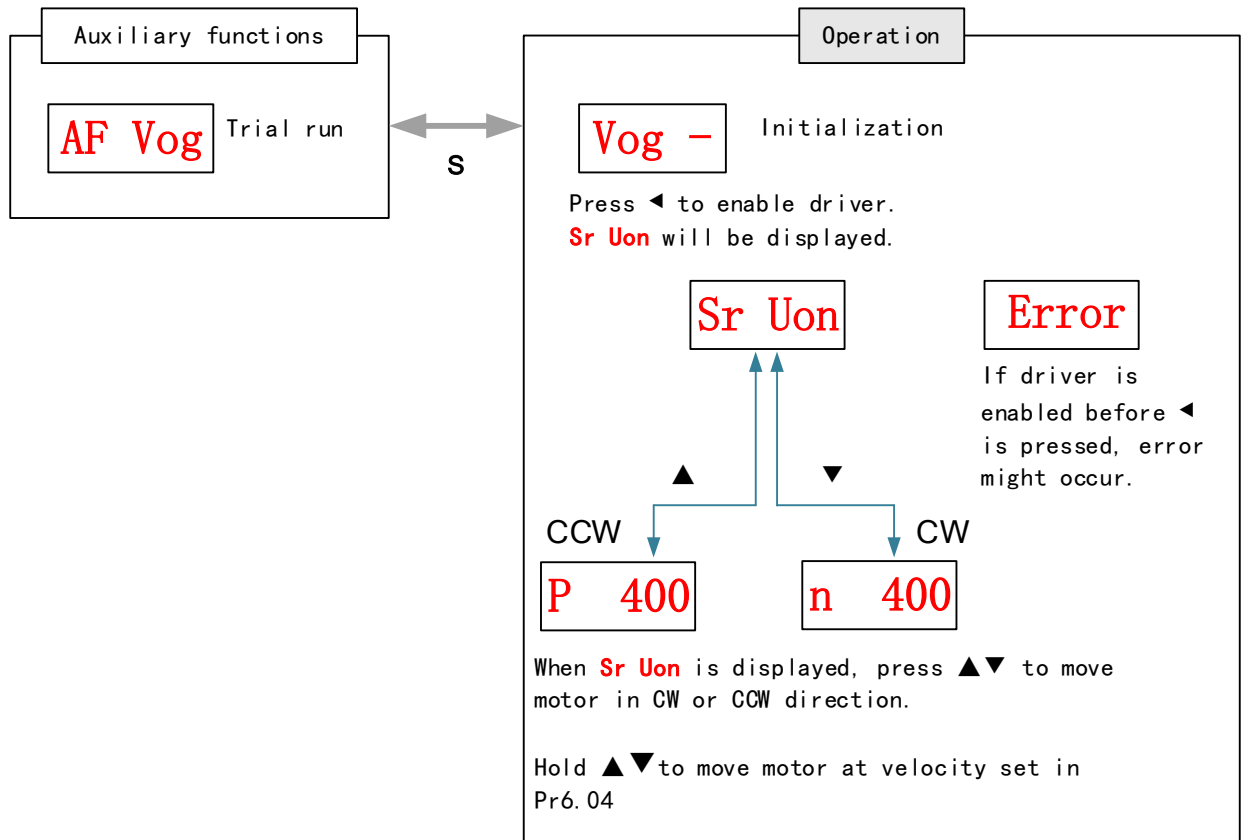


## 4.5 Auxiliary functions



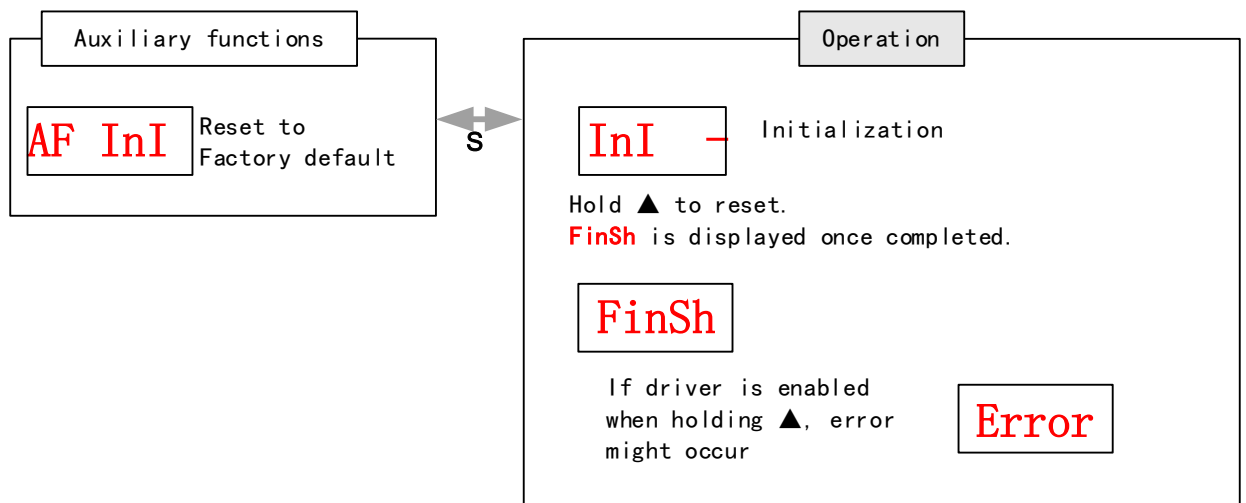
### AF jog Trial run

Please disable servo driver before performing any trial run. Please don't modify gain related parameters during trial run to prevent any occurrence of mechanical vibrations. Press **S** to exit trial run.



### AF InI Reset to factory default

To reset parameters settings to factory default. Can be used to reset parameters using auxiliary function on front panel or using object dictionary.

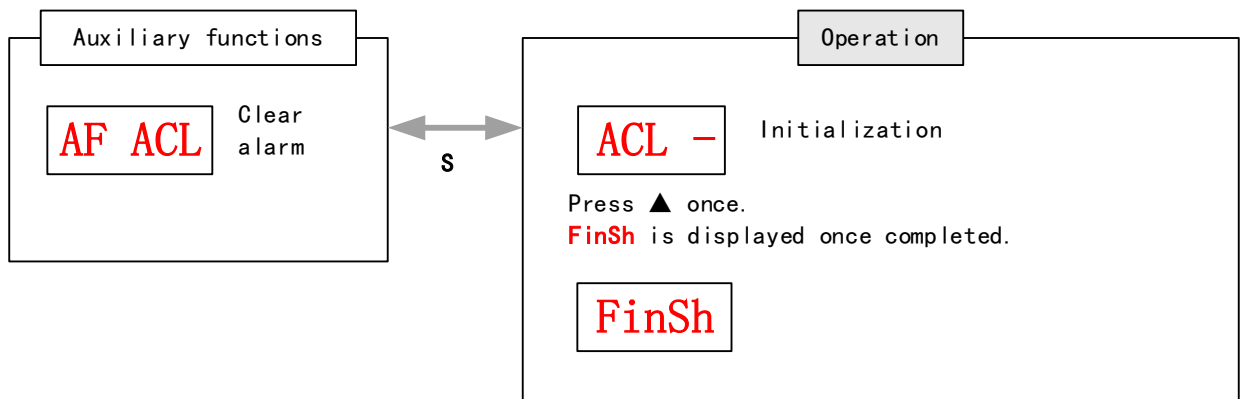


**Reset to factory default using object dictionary**

Object dictionary	Parameters to reset	Method
0x1011-01	All parameters	Controller can reset all parameters using 0x1011-01. If driver receives the data of 0x1011-01 as 0x64616f6c, all parameters will be reset to factory default and 1011-01=1 after saving.
0x1011-02	Communication parameters	Controller can reset communication parameters using 0x1011-02. If driver receives the data of 0x1011-02 as 0x64616f6c, communication parameters will be reset to factory default and 1011-02=1 after saving.
0x1011-03	402 parameters	Controller can reset 402 parameters using 0x1011-03. If driver receives the data of 0x1011-03 as 0x64616f6c, 402 parameters will be reset to factory default and 1011-03=1 after saving.
0x1011-04	Drivers' supplier parameters	Controller can reset drivers' supplier parameters using 0x1011-04. If driver receives the data of 0x1011-04 as 0x64616f6c, drivers' supplier parameters will be reset to factory default and 1011-04=1 after saving.

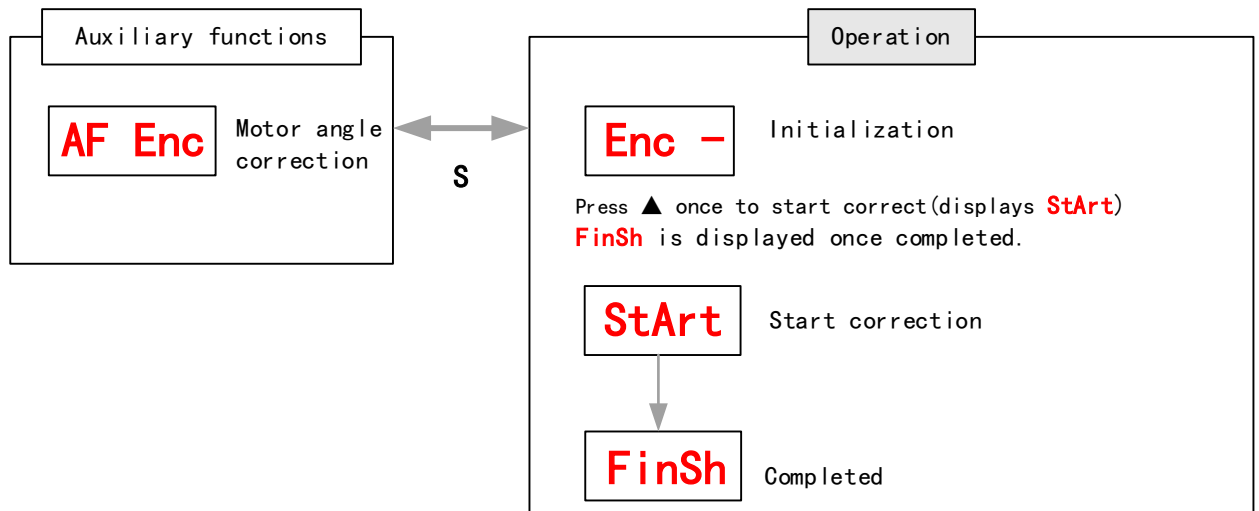
**AF ACL Clear alarm**

Alarm can be cleared using this auxiliary function but before that, the error needs to be solved and driver needs to be restarted.



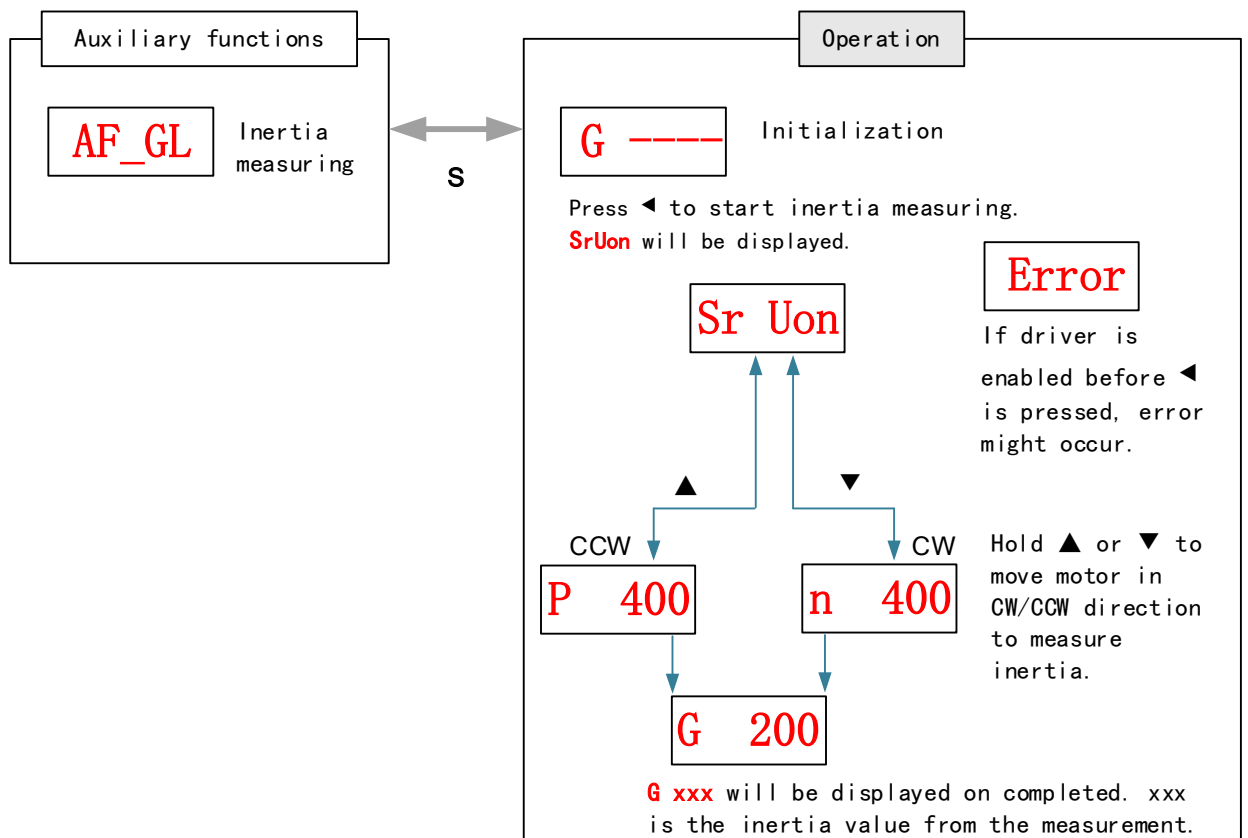
*For alarms that can be cleared using this function, please refer to table in Chapter 9.*

**AF Enc Motor angle correction**



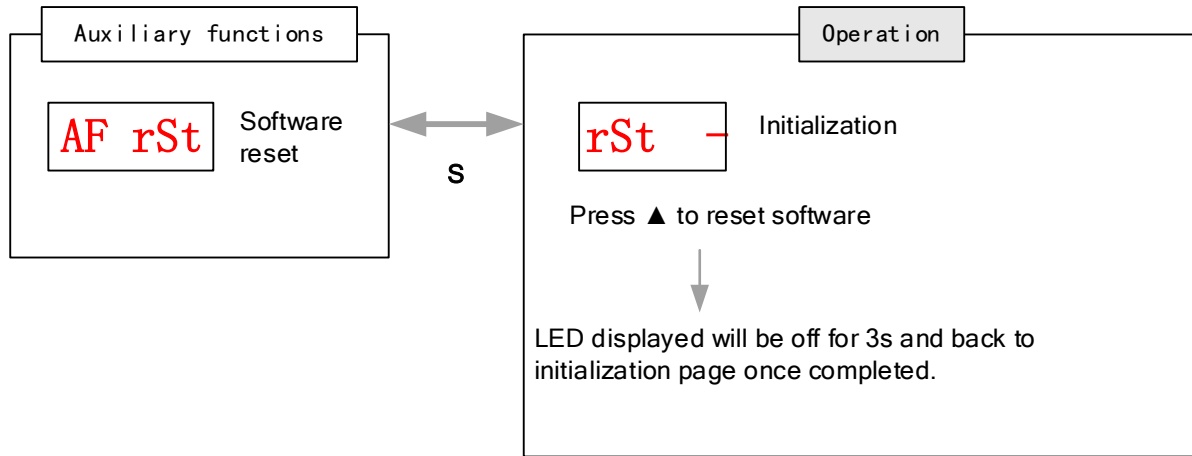
**AF\_GL Inertia measuring**

Please make sure to use suitable velocity and acceleration for the measuring process.  
Press **S** to exit and disable the driver once completed.



**AF rSt Software reset**

Software reset is used mainly on parameters modification that takes effect only after driver restart.



## Chapter 5 Control Mode

### 5.1 EL7-EC motion control step-by-step

- A. EtherCAT master device sends "control word (6040h)" to initialize the drive.
- B. Driver sends feedback "status word (6041h)" to the master device to indicate ready status (status word indication).
- C. Master device sends enable command (control word switch).
- D. The driver enables and sends feedback status to the master device.
- E. The master station sends homing command to home the axis. (Homing parameter and control word switch)
- F. Driver returns to home and sends feedback homed status to master device (status word indication)
  - G. The master station sends the position mode command for position movement (position motion parameters and control word switch) or sends the velocity command for velocity movement (velocity motion parameters and control word switch).
- H. When the drive is finished executing the command (position command), EL7-EC feedbacks the position/velocity to the master device for monitoring during the motion.
- I. The master device sends commands for the next motion.

## 5.2 CiA 402 State Machine

### State machine switchover diagram

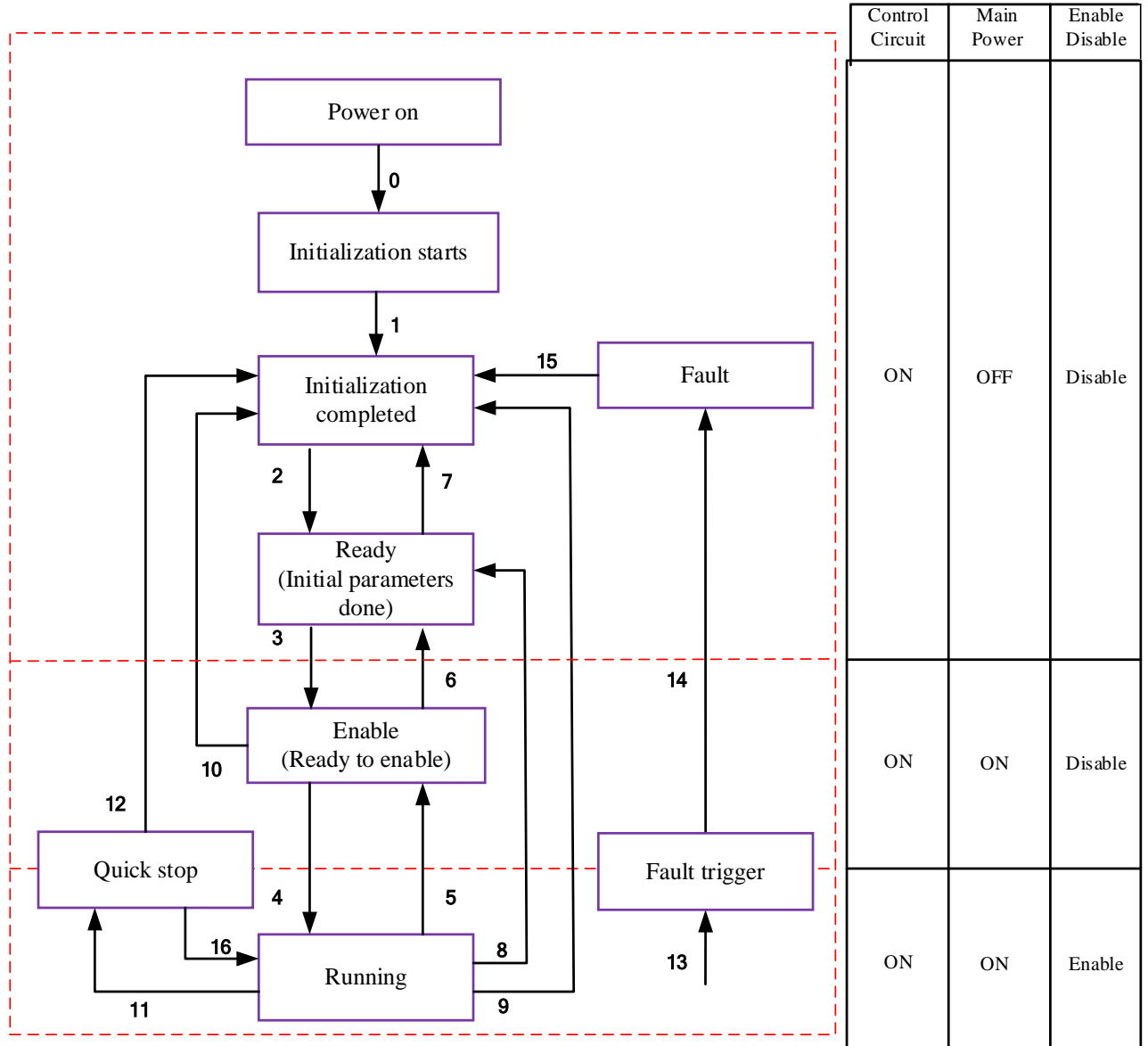


Figure 5.1 EL7-EC 402 State Machine switchover diagram

**Table 5.1 Status description**

Status	Description
Initialization starts	Driver powered on, initialization starts; Holding brake activated; Axis disabled
Initialization done	Initialization done; Parameters initialize, faultless; Axis disabled.
Ready	Parameter initialization done; Axis disabled.
Enable	Servo driver is ready to be enabled.
Running	Driver enabled, faultless
Quick stop	Quick stop activated
Fault triggered	Alarm not solved yet; Axis disabled.
Fault	Alarm solved. Waiting to switch from 402 state machine to Initialization starts; Axis disabled.

402 state machine switching is dependent on master device controlled servo driver control word (6040h)

CiA402 status switching		Control word 6040h	Status word 6041h Bit1-Bit9
0	Power on→ Initialization	Transit automatically	0x0000
1	Initialization→ Faultless	Transit automatically, Enter 13 if fault occurs	0x0250
2	Faultless--→ Ready	0x0006	0x0231
3	Servo ready→ Waiting to enable	0x0007	0x0233
4	Waiting to enable→ Running	0x000F	0x0237
5	Running→ Waiting to enable	0x0007	0x0233
6	Waiting to enable→ Ready	0x0006	0x0231
7	Ready→ Faultless	0x0000	0x0250
8	Running → Ready	0x0006	0x0231
9	Running-→ Faultless	0x0000	0x0250
10	Waiting to enable → Faultless	0x0000	0x0250
11	Running-→ Quick stop	0x0002	0x0217
12	Quick stop→ Faultless	Transit automatically	0x0250
13	Fault stop	Transit automatically	0x021F
14	Fault stop--→ Fault	Transit automatically	0x0218
15	Fault → Faultless	0x80	0x0250
16	Quick stop--→ Running	0x0F	0x0237



## 5.3 Driver Control Mode Setting

### 5.3.1 Supported control mode (6502h)

EL7-EC supports seven modes, as defined in 6502h.

Bit	31~10	9	8	7	6	5	4	3	2	1	0
Mode	Reserve d	CS T	CS V	CS P	Reserve d	H M	Reserve d	P T	P V	Reserve d	P P
1:Supported	0	1	1	1	0	1	0	1	1	0	1
		Description					Abbr.				
		Profile position mode					PP				
		Profile velocity mode					PV				
		Profile Torque mode					PT				
		Homing mode					HM				
		Cyclic synchronous position mode					CSP				
		Cyclic synchronous velocity mode					CSV				
		Cyclic synchronous torque mode					CST				

### 5.3.2 Operational mode setting (6060h) and Operational mode display (6061h)

The operation mode of the servo drive is set in 6060h. The operation mode of the servo drive is viewed in 6061h.

Bit	Description	Abbr.
1	Profile position mode	PP
3	Profile velocity mode	PV
4	Profile Torque mode	PT
6	Homing mode	HM
8	Cyclic synchronous position mode	CSP
9	Cyclic synchronous velocity mode	CSV
10	Cyclic synchronous torque mode	CST

## 5.4 Common Functions for All Modes

### 5.4.1 Digital input setting and status display

Please refer to chapter 5 for more details on digital I/O input and polarity settings. 60FDh object complies with IEC61800-200 standard input I/O status mapping object. 60FDh is set according to function as the table below shows.

Bit31	Bit30	Bit29	Bit28	Bit27	Bit26	Bit25	Bit24
Z signal	Reserved	Reserved	Reserved	Touch Probe 2	Touch Probe 1	BRAKE	INP/V-COIN /TLC
Bit23	Bit22	Bit21	Bit20	Bit19	Bit18	Bit17	Bit16
E-STOP	Reserved	Reserved	Reserved	Reserved	Reserved	DI14	DI13
Bit15	Bit14	Bit13	Bit12	Bit11	Bit10	Bit9	Bit8
DI12	DI11	DI10	DI9	DI8	DI7	DI6	DI5
Bit7	Bit6	Bit5	Bit4	Bit3	Bit2	Bit1	Bit0
DI4	DI3	DI2	DI1	Reserved	HOME	POT	NOT

### 5.4.2 Digital output setting and control operation method

In addition to the internal operation of the servo system, EL7-EC also provides a function for the master device to operate digital I/O output of the servo driver.

If I/O output function is set up as master device control, master device can control servo driver digital I/O output through 60FEh object

Bit Sub-index	31~21	21	20	19	18	17	16	15~0
01h	Reserved	D06 valid	D05 valid	D04 valid	D03 valid	D02 valid	D01 valid	Reserved
02h		D06 enabled	D05 enabled	D04 enabled	D03 enabled	D02 enabled	D01 enabled	

### 5.4.3 Motor Rotational Direction

Rotational direction is defined in 607Eh.

Mode	Set value
Position Mode	PP HM CSP 0: Rotate in the same direction as the position command 128: Rotate in the opposite direction to the position command
Velocity Mode	PV CSV 0: Rotate in the same direction as the position command 64: Rotate in the opposite direction to the position command
Torque Mode	PT CST 0: Rotate in the same direction as the position command 32: Rotate in the opposite direction to the position command
ALL Modes	0: Rotate in the same direction as the position command 224: Rotate in the opposite direction to the position command

## 5.4.4 Stop Settings

EL7-EC provides quick stop function. Stopping is different under different modes.

Controlled by using object dictionary 605A.

Index 605Ah	Name	Quick stop option code			Unit	-	Structure	VAR	Type	INT16
	Access	RW	Mapping	-	Mode	ALL	Range	0~7	Default	2
Motor stops when quick stop command is given.										
PP, CSP, CSV, PV										
0 : To stop motor through Pr5.06. Status: Switch on disable, axis disabled.										
1 : Motor decelerates and stops through 6084. Status: Switch on disable, axis disabled.										
2 : Motor decelerates and stops through 6085. Status: Switch on disable, axis disabled.										
3 : Motor decelerates and stops through 60C6. Status: Switch on disable, axis disabled.										
5 : Motor decelerates and stops through 6084. Status: Quick stop										
6 : Motor decelerates and stops through 6085. Status: Quick stop										
7 : Motor decelerates and stops through 60C6. Status: Quick stop										
HM										
0 : To stop motor through Pr5.06. Status: Switch on disable, axis disabled.										
1 : Motor decelerates and stops through 609A. Status: Switch on disable, axis disabled.										
2 : Motor decelerates and stops through 6085. Status: Switch on disable, axis disabled.										
3 : Motor decelerates and stops through 60C6. Status: Switch on disable, axis disabled.										
5 : Motor decelerates and stops through 609A. Status: Quick stop										
6 : Motor decelerates and stops through 6085. Status: Quick stop										
7 : Motor decelerates and stops through 60C6. Status: Quick stop										
CST										
0 : To stop motor through Pr5.06. Status: Switch on disable, axis disabled.										
1, 2 : Motor decelerates and stops through 6087. Status: Switch on disable, axis disabled.										
3 : Motor decelerates and stops through torque = 0. Status: Switch on disable, axis disabled.										
5, 6 : Motor decelerates and stops through 6087. Status: Quick stop										
7 : Motor decelerates and stops through torque = 0. Status: Quick stop										

When 402 state machine is disabled, the motor will stop freely.

When bit8(Halt) of 6040h is 1, the motor will stop with deceleration set in 6083h/6084h.

## 5.4.5 Position mode – Electronic Gear

EL7-EC position mode consists of cyclic synchronous position mode (CSP), protocol position mode (PP) and homing mode (HM), only in these three modes is the electronic gear valid.

Electronic gear ratio range is 0.001~8000(23-bit encoder), 0.001~to 125(17 bit encoder), otherwise ErA00 might occur if over range (the warning is not saved, after modification to a reasonable range, alarm on operational panel will automatically disappear, but the 402 state will still be in the "error" state, write 0x80 into 6040h).

**Method 1:**

Electronic gear ratio setting is defined by 608Fh (Position encoder resolution), 6091h (Gear ratio), 6092h (Feed constant) to change the motor position. Only valid under pre-operational mode.

608Fh (Position encoder resolution) is the resolution of the encoder, which is read internally without additional setting. 6092h\_01 represents the number of pulses that can be set for each revolution of the motor. 6091h\_01/6091h\_02 is real-time update effective.

Electronic gear subdivision method can be determined by modifying 6092h\_01 (Feed constant)

1. If 6092h\_01 (Feed constant) is not equal to 608Fh (Position Encoder resolution), then:

$$\text{Electronic gear ratio} = \text{encoder resolution} / 6092h\_01$$

2. If 6092h\_01(Feed constant) is equal to 608Fh(Position encoder resolution), then:

$$\text{Electronic gear ratio} = 6091\_01/6092h\_01$$

Electronic gear ratio range is 0.001~8000(23 bit encoder), 0.001~125(17 bit encoder)

Command pulse count per motor revolution needs to be  $\geq$  Encoder Pulse Count per Revolution / 8000.

EL7 series comes with motors with 17-bit and 23-bit encoder. Pulse count per revolution for 17-bit encoder = 131072; for 23-bit encoder = 8388608. From the condition above, the command pulse count per motor revolution for 17-bit encoder should be  $\geq 17$ ; for 23-bit encoder  $\geq 1049$ .

**Method 2:**

Electronic gear can be set through Pr0.08. If Pr0.08  $\neq$  0, Pr0.08 is valid. If Pr0.08 = 0, object dictionary 6092-01 is valid.

**Note:** when the setting value exceeds this range, the error will be reported and automatically reset to the default value. The default values of 6091\_01, 6091\_02 and 6092\_01 are 1, 1 and 10000.

## 5.4.6 Position Limits

The hardware limit is valid in all operational modes, and the software limit is valid only in the absolute operational mode of cyclic synchronous position mode (CSP) and profile position mode (PP)

The limit of the software is defined by 607Dh. The maximum position in the negative direction is defined in 607d-01h and the maximum position in the positive direction is defined in 607d-02h, the unit is consistent with the command unit.

The setting of object dictionary 0x5012-04 not only affects the homing offset of 607C, but also affects the software limit, 607D needs to be modified before the operational state

5012-04		Actual Positive Position Limit	Actual Negative Position Limit
Bit2	Bit3		
0	0	607D-02 + 607C	607D-01 + 607C
0	1	607D-02 - 607C	607D-01 - 607C
1	X	607D-02	607D-01

EL7-EC Software position limits valid conditions:

1. It can only be set in the pre-operational state of ESM. It is recommended to configure it by SDO when the system starts.
2. Only in the absolute mode of CSP and PP, in CSP mode, it is recommended to use the software limit function of the master station to achieve the fastest limit performance.
3. The incremental encoder motor is not effective until the homing process completed.
4. The setting rule is 607d-01h < 607d-02h, that is, the negative position limit value is less than the positive position limit value.

## 5.4.7 Control Word

Bit definition of Control Word 6040h.

Bit	15~11	10~9	8	7	6~4	3	2	1	0
Definition	-	-	Halt	Fault reset	Related to modes	Operation enable	Quick stop	Voltage output	Switch on

Command	Bit7 and Bit0 to Bit3					6040 Value	402 State machine *1)
	7: Fault reset	3: Operation enable	2: Quick stop	1: Voltage output	0: Start		
Power off	0	*	1	1	0	0006h	2;6;8
Switch on	0	0	1	1	1	0007h	3*
Switch on	0	1	1	1	1	000Fh	3**
No voltage output	0	*	*	0	*	0000h	7;9;10;12
Quick stop	0	*	0	1	*	0002h	7;10;11
Operation enable	0	0	1	1	1	0007h	5
enable	0	1	1	1	1	000Fh	4;16
Fault reset	Rising edge	*	*	*	*	0080h	15

\* is not affected by this bit state

\* indicates that this transition is performed in the device start state

\*\* indicates that it has no effect on the start state and remains in the start state

\*1) The state machine switch corresponds to figure 7.1

The definition of bit 8 and bit 6~4 in different operation modes are shown in the following table

Bit	Operation Mode						
	Profile Position (PP)	Profile Velocity (PV)	Profile Torque (PT)	Homing (HM)	Cyclic Sync Position (CSP)	Cyclic Sync Velocity (CSV)	Cyclic Sync Torque (CST)
8	Stop with deceleration	Stop with deceleration	Stop with deceleration	Stop with deceleration	-	-	-
6	Absolute/Increment	-	-	-	-	-	-
5	Immediately trigger	-	-	-	-	-	-
4	New Position	-	-	Start	-	-	-

### 5.4.7 Status Word

Bit definition of Status Word 6041h.

Bit	Definition
15~14	Reserved
13~12	Related to modes
11	Position limit valid
10	Position arrival
9	Distance
8	Related to modes
7	Reserved
6	Not switch on
5	Quick stop
4	Voltage output
3	Fault
2	Operation enable
1	Switch on
0	Ready to switch on

Bit 11 is valid when the software or hardware limit is in effect.

The combination of bit 6 and bit 3~0 represents the device state shown in following table

Combination of bit 6 and bit 3~0	Description
xxxx,xxxx,x0xx,0000	Not ready to switch on
xxxx,xxxx,x1xx,0000	Switch on disabled
xxxx,xxxx,x01x,0001	Ready to switch on
xxxx,xxxx,x01x,0011	Switch on
xxxx,xxxx,x01x,0111	Operation enabled

xxxx,xxxx,x00x,0111	Quick stop active
xxxx,xxxx,x0xx,1111	Fault reaction active
xxxx,xxxx,x0xx,1000	Fault

x is not affected by this bit state

The definition of bit 8 and bit 13~12 in different operation modes are shown in the following table

Bit	Operation Mode						
	Profile Position (PP)	Profile Velocity (PV)	Profile Torque (PT)	Homing (HM)	Cyclic Sync Position (CSP)	Cyclic Sync Velocity (CSV)	Cyclic Sync Torque (CST)
13	Position error is too large	-	-	Homing Process error	-	-	-
12	-	Velocity is 0	-	Homing Process completed	Following valid	Following valid	Following valid
8	Abnormal stop	-	-	Abnormal stop	Abnormal stop	-	-

### 5.4.8 Synchronous cycle time setting

The default synchronous cycle time range of EL7-EC series is 250us – 10ms. Min value: 125us; Max value: 20ms. Please make sure the values set is the multiplier of 250us.

### 5.4.9 Driver Enabling

This section describes how to use control words 6040h/ status word 6041h command switching/status determination for EL7-EC controlled motor.

**Steps:**

- 1: Write 0 to the control word 6040h, and then AND 0x250 by bit, whether it is equal to 0x250
- 2: Write 6 to the control word 6040h, and then AND 0x231 by bit, whether it is equal to 0x231
- 3: Write 7 to the control word 6040h, and then AND 0x233 by bit, whether it is equal to 0x233
- 4: Write 15 to the control word 6040h, and then AND 0x237 by bit, whether it is equal to 0x237

## 5.5 Position Mode (CSP、PP、HM)

### 5.5.1 Common Functions of Position Mode

Index	Sub-Index	Label	Access	PDO	Mode		
					PP	CSP	HM
6040	0	Control word	RW	RxPDO	Yes	Yes	Yes
6072	0	Max torque	RW	RxPDO	Yes	Yes	Yes
607A	0	Target position	RW	RxPDO	Yes	Yes	/
607D	1	Min. software limit	RW	RxPDO	Yes	Yes	/
	2	Max. software limit	RW	RxPDO	Yes	Yes	/
607F	0	Maximum protocol velocity	RW	RxPDO	Yes	/	Yes
6080	0	Maximum motor velocity	RW	RxPDO	Yes	Yes	Yes
6081	0	Profile velocity	RW	RxPDO	Yes	/	/
6083	0	Profile acceleration	RW	RxPDO	Yes	/	/
6084	0	Profile deceleration	RW	RxPDO	Yes	/	/
60C5	0	Protocol maximum acceleration	RW	RxPDO	Yes	/	Yes
60C6	0	Protocol maximum deceleration	RW	RxPDO	Yes	/	Yes

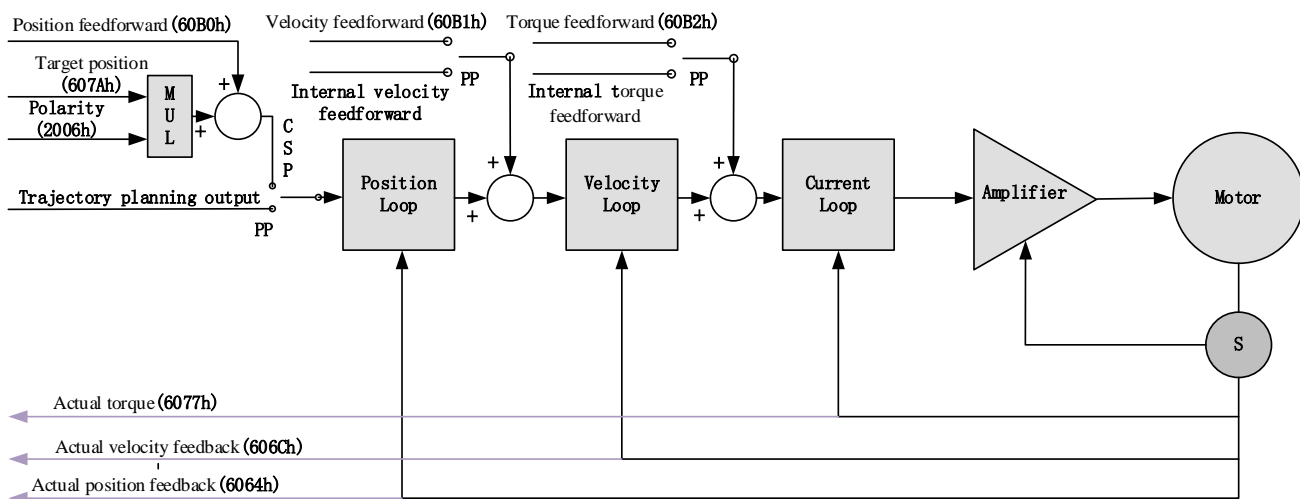
Index	Sub-Index	Label	Access	PDO	Mode		
					PP	CSP	HM
6041	0	Status word	RO	TxPDO	Yes	Yes	Yes
6062	0	Position command	RO	TxPDO	Yes	Yes	Yes
6063	0	Actual internal position	RO	TxPDO	Yes	Yes	Yes
6064	0	Actual position feedback	RO	TxPDO	Yes	Yes	Yes



6065	0	Position deviation window	RW	RxPDO	Yes	Yes	/
6066	0	Position deviation detection time	RW	RxPDO	Yes	Yes	/
606C	0	Velocity feedback	R0	TxPDO	Yes	Yes	Yes
6074	0	Internal command torque	R0	TxPDO	Yes	Yes	Yes
6076	0	Rated torque	R0	TxPDO	Yes	Yes	Yes
6077	0	Actual torque	R0	TxPDO	Yes	Yes	Yes
60F4	0	Actual following error	R0	TxPDO	Yes	Yes	Yes
60FA	0	Position loop velocity output	R0	TxPDO	Yes	Yes	Yes
60FC	0	Internal command position	R0	TxPDO	Yes	Yes	Yes

## 5.5.2 Cyclic Synchronous Position Mode (CSP)

### CSP Block Diagram



## Related Objects

### Basic object

PDO	Index+Sub-Index	Label	Data Type	Access	Unit	Notes
(RXPDO)	6040-00h	Control word	U16	RW	—	Required
	607A-00h	Target position	I32	RW	Uint	Required
	60B0-00h	Position feedforward	I32	RW	Uint	Optional
	60B1-00h	Velocity feedforward	I32	RW	Uint /S	Optional
	60B2-00h	Torque feedforward	I16	RW	0.1%	Optional
(TXPDO)	6041-00h	Status word	U16	RO	—	Required
	6064-00h	Actual feedback position	I32	RO	Uint	Required
	606C-00h	Actual feedback velocity	I32	RO	Uint /S	Optional
	60F4-00h	Actual following error	I32	RO	Uint	Optional
	6077-00h	Actual torque	I16	RO	0.1%	Optional

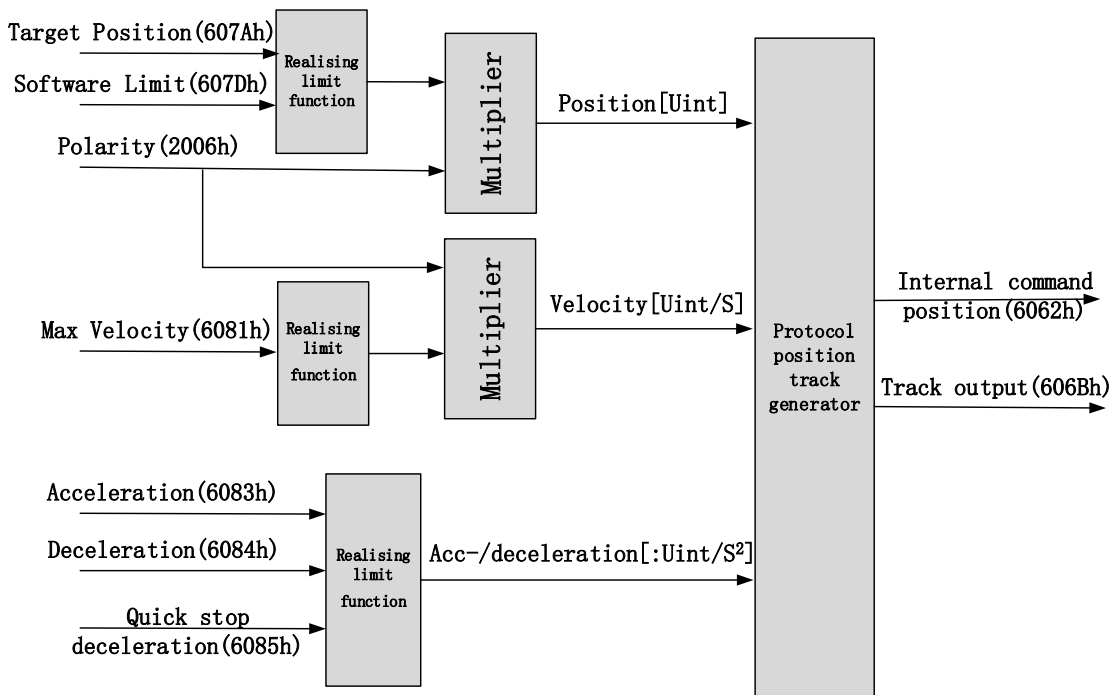
### Extended object

Index+Sub-Index	Label	Data Type	Access	Unit
603F-00h	Error code	U16	RO	—
6060-00h	Operation mode	I8	RW	—
6061-00h	Displayed operation mode	I8	RO	—
6062-00h	Position demand value	I32	RO	Uint
606B-00h	Internal command speed	I32	RO	Uint
607D-01h	Min. software limit	I32	RO	Uint
607D-02h	Max. software limit	I32	RO	Uint
605A-00h	Quick stop option code	I16	RW	—
6085-00h	Emergency stop deceleration	U32	RW	Uint /S
608F-01h	Encoder resolution	U32	RO	P
608F-02h	Motor turns	U32	RO	—
6091-01h	Electronic gear ratio numerator	U32	RW	—
6091-02h	Electronic gear ratio denominator	U32	RW	—
6092-01h	Number of pulses per rotation	U32	RW	—
6092-02h	Number of physical axis turns	U32	RO	—

### 5.5.3 Protocol Position Mode (PP)

Under non-synchronous mode, master device is responsible for only sending parameters and control command; After receiving enable command from master device, servo driver will plan motion route according to parameters. Under non-synchronous mode, motor motion between each axes are asynchronous.

From the perspective of servo driver functions, the difference between PP and CSP mode is that PP mode requires track generator function from L7EC



#### Related Parameters

##### Basic object

PDO	Index+Sub-Index	Label	Data Type	Access	Unit	Notes
(RXPDO)	6040-00h	Control word	U16	RW	—	Required
	607A-00h	Target position	I32	RW	Uint	Required
	6081-00h	Max. velocity	U32	RW	Uint	Required
	6083-00h	Acceleration	I32	RW	Uint /S	Optional
(TXPDO)	6041-00h	Status word	U16	RO	—	Required
	603F-00h	Error code	U16	RO		Optional
	6064-00h	Actual position feedback	I32	RO	Uint	Required
	606C-00h	Actual velocity feedback	I32	RO	Uint /S	Optional
	60F4-00h	Actual following error	I32	RO	Uint	Optional
	6077-00h	Actual torque	I16	RO	0.1%	Optional

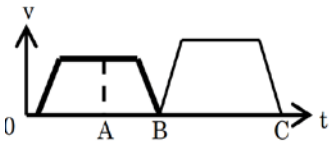
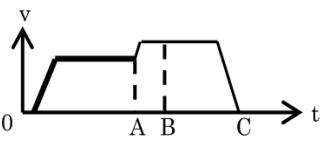
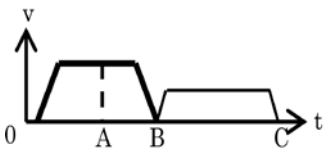
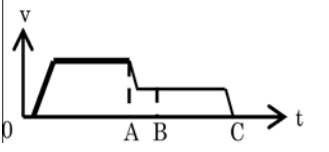


**Extended object**

Index+Sub-Index	Label	Data Type	Access	Unit
603F-00h	Error code	U16	RO	—
6060-00h	Operation mode	I8	RW	—
6061-00h	Displayed operation mode	I8	RO	—
6062-00h	Position demand value	I32	RO	Uint
606B-00h	Internal command speed	I32	RO	Uint
607D-01h	Min. software limit	I32	RO	Uint
607D-02h	Max. software limit	I32	RO	Uint
605A-00h	Quick stop option code	I16	RW	—
6085-00h	Emergency stop deceleration	U32	RW	Uint /S
608F-01h	Encoder resolution	U32	RO	P
608F-02h	Motor turns	U32	RO	—
6091-01h	Electronic gear ratio numerator	U32	RW	—
6091-02h	Electronic gear ratio denominator	U32	RW	—
6092-01h	Number of pulses per rotation	U32	RW	—
6092-02h	Number of physical axis turns	U32	RO	—

**Control and status words under PP mode**
**Control word bits 4~6 definition under PP mode**

Bit	Value	Definition
4 (New position)	0→1	Latest target position(607Ah)、Profile velocity (6081h)、Acc-/deceleration(6083h/6084h) Starts
5 (Instant trigger)	0	Trigger new position command once current one is completed.
	1	Interrupted current position command and trigger new position command
6(Absolute/ relative)	0	Set target position(607Ah)as absolute position
	1	Set target position(607Ah) as relative position

**5 motion structures under PP mode**

Control words bit 5	0	1
Accelerates/ constant velocity toward target position		
Decelerates towards target position		
Target position in inversed direction		

A: Command switching time from master device

B: Arrival time before target position renewal

C: Arrival time after target position renewal

Thick line: Motion before command changed

Thin line : Motion after command changed

**Status word bits 12-15, 10, 8 definition under PP mode**

Bit	Value	Definition
8(Abnormal Stoppage)	0	Normal motion
	1	Abnormal stoppage triggered, motor stopped *1)
10(Arrived at position)	0	Motion not completed
	1	Target position reached
12(New position)	0	Current motion completed/interruptible, able to execute new position command *2)
	1	Current motion not completed/interruptible, unable to execute new position command
14(Motion Parameter = 0)	0	Motion parameters valid, necessary parameters all not set to 0.
	1	Parameter = 0 under current motion. One of 3 parameters, Profile velocity (6081h), acceleration (6083h) and deceleration (6084h) = 0.
15(Trigger)	0	Current motion incomplete/uninterruptible, new target position cannot be renewed. *3)
	1	Current motion completed/interruptible, new target position can be renewed.

- \*1) Bit 8 abnormal stoppage usually valid when hardware limit, deceleration stoppage and quick stop are triggered.
- \*2) Bit 12 under control word(6040h)bit 5 valid and bit 4 invalid, motion interruptible.
- \*3) Bit 15 and bit 12 have inversed logic under PP mode.

Application: Realization of relative position motion

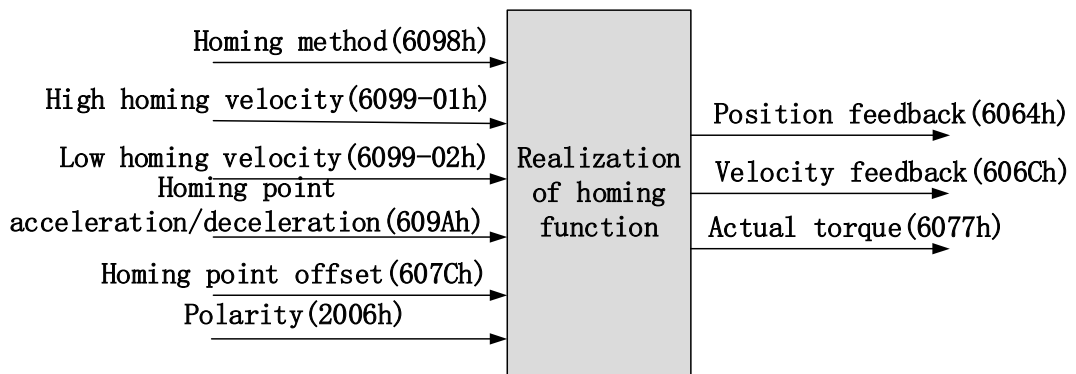
Step 1: 6060h = 1, determine if 6061h =1. Servo driver is now under PP mode.

Step 2: Write motion parameters: Target position 607Ah, Profile velocity 6081h, acceleration 6083h, deceleration 6084h

Step 3: Enable servo driver and switch bit 6 and 4 to realize relative position motion.

### 5.5.4 Homing mode (HM)

EL7-EC servo system supports every other homing method except for method 36. Output/input parameters of L7EC are as shown below.



#### Related Parameters

Basic object

PDO	Index+Sub-Index	Name	Data Type	Access	Unit	Notes
(RXPDO)	6040-00h	Control word	U16	RW	—	Required
	6098-00h	Homing mode	I8	RW	Uint	Optional
	6099-01h	High homing velocity	U32	RW	Uint/S	Optional
	6099-02h	Low homing velocity	U32	RW	Uint /S	Optional

	609A-00h	Homing point acceleration	U32	RW	Uint /S <sup>2</sup>	Optional
	607C-00h	Homing point offset	I32	RW	Uint	Optional
(TXPDO)	60-00h	Status word	U16	RO	—	Required
	603F-00h	Error code	U16	RO		Optional
	6064-00h	Actual position feedback	I32	RO	Uint	Optional
	606C-00h	Actual velocity feedback	I32	RO	Uint /S	Optional
	60F4-00h	Actual following error	I32	RO	Uint	Optional
	6077-00h	Actual torque	I16	RO	0.1%	Optional

#### Extended object

Index+Sub-Index	Label	Data Type	Access	Unit
603F-00h	Error code	U16	RO	—
6060-00h	Operation mode	I8	RW	—
6061-00h	Displayed operation mode	I8	RO	—
6062-00h	Position demand value	I32	RO	Uint
606B-00h	Internal command speed	I32	RO	Uint
608F-01h	Encoder resolution	I32	RO	Uint
608F-02h	Motor revolution	I32	RO	Uint
6091-01h	Electronic gear ratio numerator	U32	RW	—
6091-02h	Electronic gear ratio denominator	U32	RW	—
6092-01h	Number of pulses per rotation	U32	RW	—
6092-02h	Number of physical axis turns	U32	RO	—

### Control and status words under HM mode

#### Control word bit 4 definition under HM mode

Bit	Value	Definition
4(Homing motion starts/stops)	0→1	Homing motion starts
	1→0	Homing motion stops, motor stops

#### Status word bits 12-15, 10, 8 definition under PP mode

Bit	Value	Definition
8(Abnormal Stoppage)	0	Normal motion
	1	Abnormal stoppage triggered, motor stops *1)
10(Arrived at position)	0	Motion not completed
	1	Target position reached

12(Homing done)	0	Homing not done
	1	Homing done, valid after reaching position(bit 10) *2)
14(Motion Parameter = 0)	0	Motion parameters valid, necessary parameters all not set to 0.
	1	Parameter = 0 under current motion. One of 4 parameters, Homing mode (6098h), high homing velocity(6099h-01), low homing velocity (6099h-02) and homing point acc-/deceleration (609Ah) = 0.
15(Trigger)	0	Homing triggered/completed *3)
	1	Homing triggers

\*1) Bit 8 abnormal stoppage usually valid when hardware limit, deceleration stoppage and quick stop are triggered.

\*2) Determine if homing is done, determine if bit 10/12 is occupied.

\*3) Use to indicate if homing is able to trigger or already triggered.

### Incorrect position triggering conditions

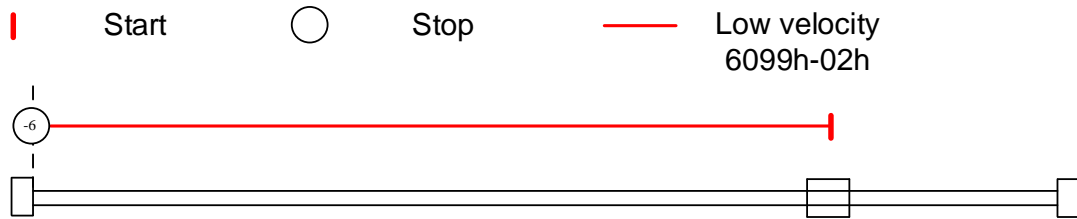
Triggering condition	Remarks
Absolute encoder homing	Control words 6040h bit 4 from 0 to 1
2 limit switch signals detected	Positive and negative limit switches detected during homing
Negative limit valid when positive limit in used	Negative limit valid under 2,7-10,23-26 homing modes
Positive limit valid when negative limit in used	Positive limit valid under 1,11-14,27-30 homing modes
Limit switch valid when not in used	Limit switch valid under 3,4,19,20 homing modes
Limit switch/homing signal valid when only z-signal in used	Limit switch and homing sensor valid under 33,34 homing modes



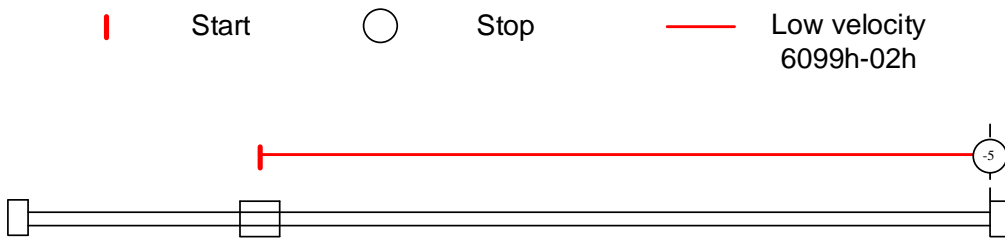
**Homing mode**

**Torque limiting mode**

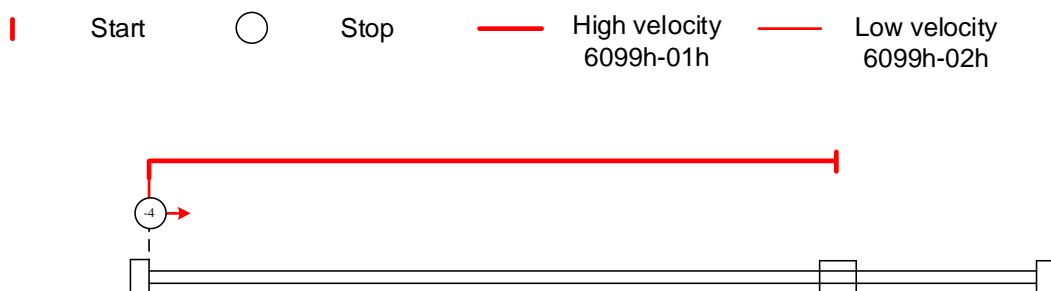
**Mode-6:** Search for homing point in **negative direction** at **low velocity**. Stop after torque reaches the value set in Pr5.39 and homing done signal delivers after the time value set in Pr5.37



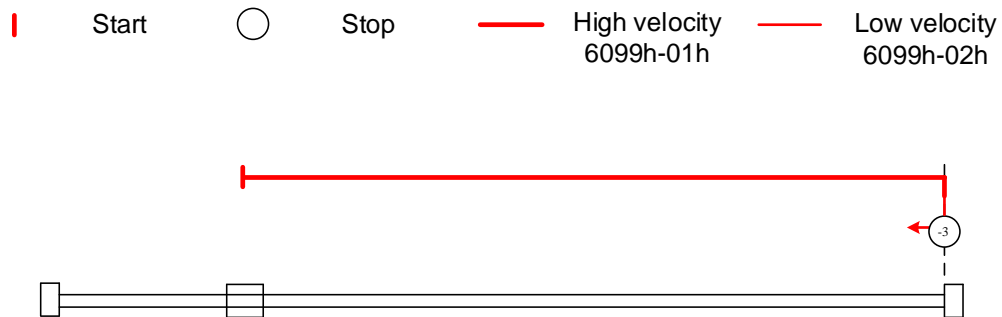
**Mode -5:** Search for homing point in **positive direction** at **low velocity**. Stop after torque reaches the value set in Pr5.39 and homing done signal delivers after the time value set in Pr5.37



**Mode -4:** Search for homing point in **negative direction** at **high velocity**. Move in **positive direction** after torque reaches the value set in Pr5.39, stops when torque is gone. Homing done signal delivers after the time value set in Pr5.37

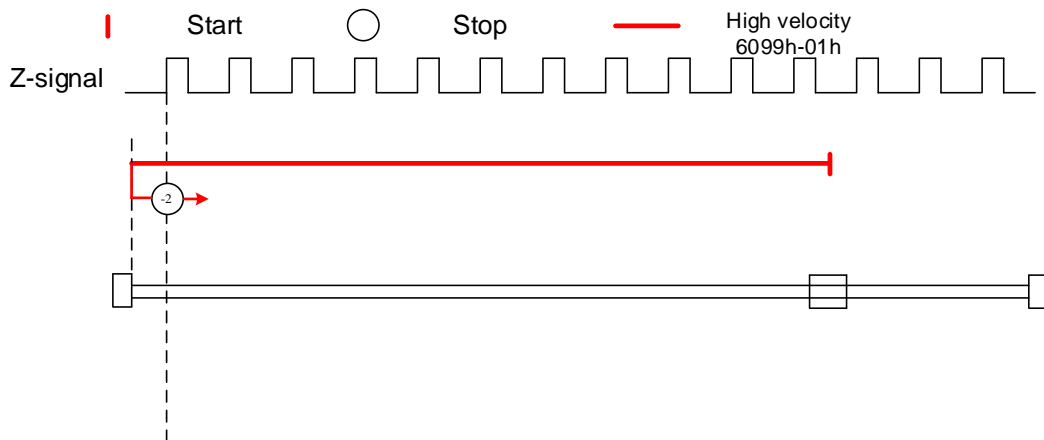


**Mode -3:** Search for homing point in **positive direction** at **high velocity**. Move in **negative direction** after torque reaches the value set in Pr5.39, stops when torque is gone. Homing done signal delivers after the time value set in Pr5.37

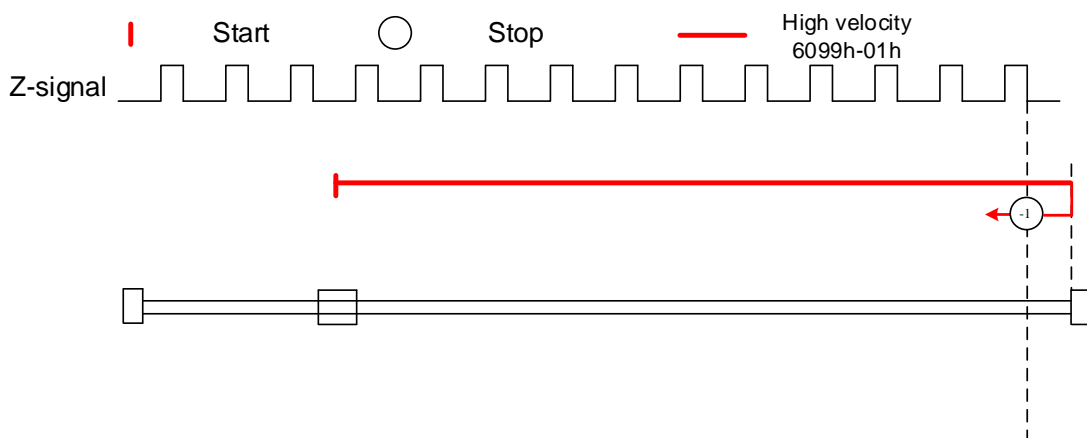


### Torque limiting + Z-signal mode

**Mode -2:** Search for homing point in **negative direction** at **high velocity**. Move in **positive direction** after torque reaches the value set in Pr5.39, stops when torque is gone with the **first Z-signal**.



**Mode -1:** Search for homing point in **positive direction** at **high velocity**. Move in **negative direction** after torque reaches the value set in Pr5.39, stops when torque is gone with the **first Z-signal**.



### Limit switch signal + Z-signal mode

**Mode 1:**

Diagram A: *Negative limit switch = OFF*

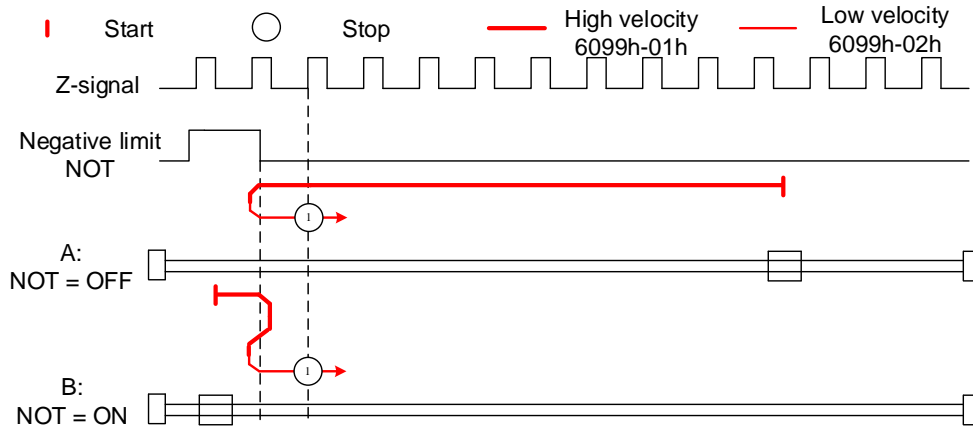
1. Move in **negative direction** at **high velocity** until **negative limit switch valid**.
2. Move in **positive direction** at **low velocity** and stops after **negative limit switch** and **first encoder Z-signal valid**

Diagram B: *Negative limit switch = ON*

1. Start to move at **negative limit switch position** in **positive direction** at **high velocity** until **negative limit switch invalid**.
2. Move in **negative direction** at **high velocity** until **negative limit switch valid**.

### 3. Move in **positive direction** at low velocity and stops **after negative limit switch** and **first encoder Z-signal valid**

*If the positive limit signal is valid during the homing process, the status word (6041h) bit 13 will be valid, indicating homing error and the motor will stop immediately.*



#### Mode 2:

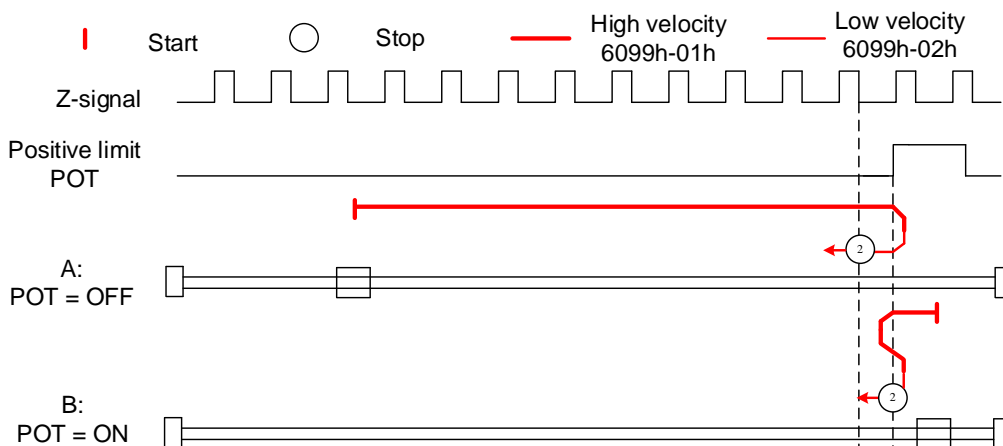
Diagram A: *Positive limit switch = OFF*

1. Move in **positive direction** at high velocity until **positive limit switch valid**.
2. Move in **negative direction** at low velocity and stops **after positive limit switch** and **first encoder Z-signal valid**

Diagram B: *Positive limit switch = ON*

1. Start to move at **positive limit switch position** in **negative direction** at high velocity until **positive limit switch invalid**.
2. Move in **positive direction** at high velocity until **positive limit switch valid**.
3. Move in **negative direction** at low velocity and stops **after positive limit switch** and **first encoder Z-signal valid**

*If the negative limit signal is valid during the homing process, the status word (6041h) bit 13 will be valid, indicating homing error and the motor will stop immediately.*



## Homing switch signal + Z-signal mode

### Mode 3:

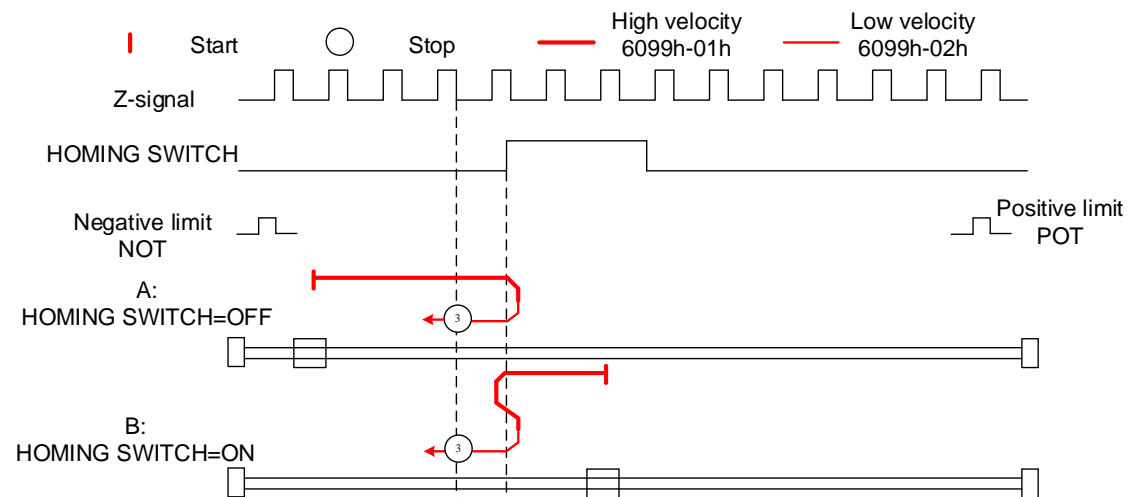
Diagram A: *Homing switch = OFF*

1. Move in **positive direction** at **high velocity** until homing switch valid.
2. Move in **negative direction** at **low velocity** and stops after homing switch and first encoder Z-signal valid

Diagram B: *Homing switch = ON*

1. Start to move at **homing switch position** in **negative direction** at **high velocity** until **after homing switch**.
2. Move in **positive direction** at **high velocity** until homing switch valid.
3. Move in **negative direction** at **low velocity** and stops after homing switch and first encoder Z-signal valid

*If the positive/negative limit switch signal is valid during the homing process, the status word (6041h) bit 13 will be valid, indicating homing error and the motor will stop immediately.*



### Mode 4:

Diagram A: *Homing switch = OFF*

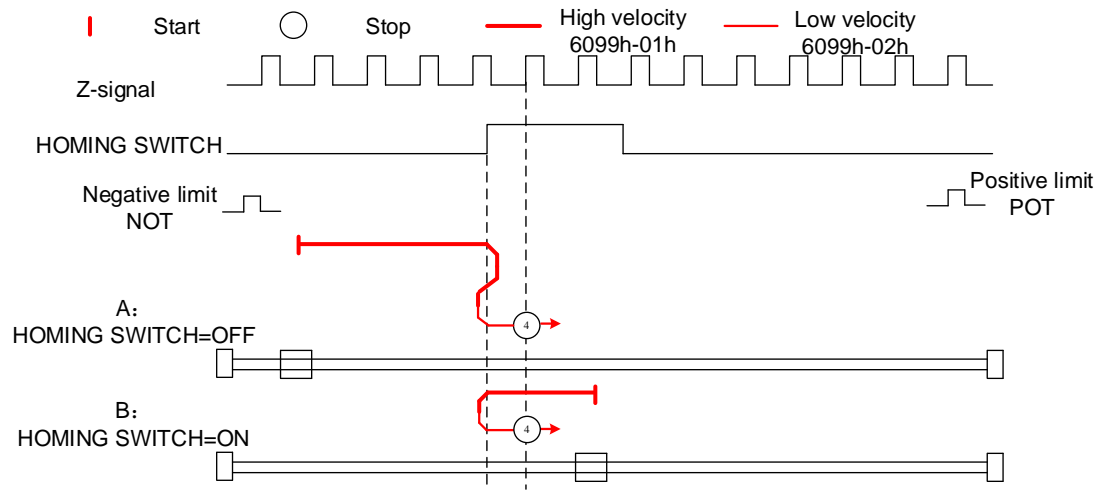
1. Move in **positive direction** at **high velocity** until homing switch valid.
2. Move in **negative direction** at **high velocity** until homing switch invalid.
3. Move in **positive direction** at **low velocity** and stops after homing switch valid and first encoder Z-signal valid

Diagram B: *Homing switch = ON*

1. Start to move at **homing switch position** in **negative direction** at **high velocity** until **after homing switch**.
2. Move in **positive direction** at **low velocity** and stops after homing switch valid and first encoder Z-signal valid

*If the positive/negative limit switch signal is valid during the homing process, the status*

*word (6041h) bit 13 will be valid, indicating homing error and the motor will stop immediately.*



**Mode 5:**

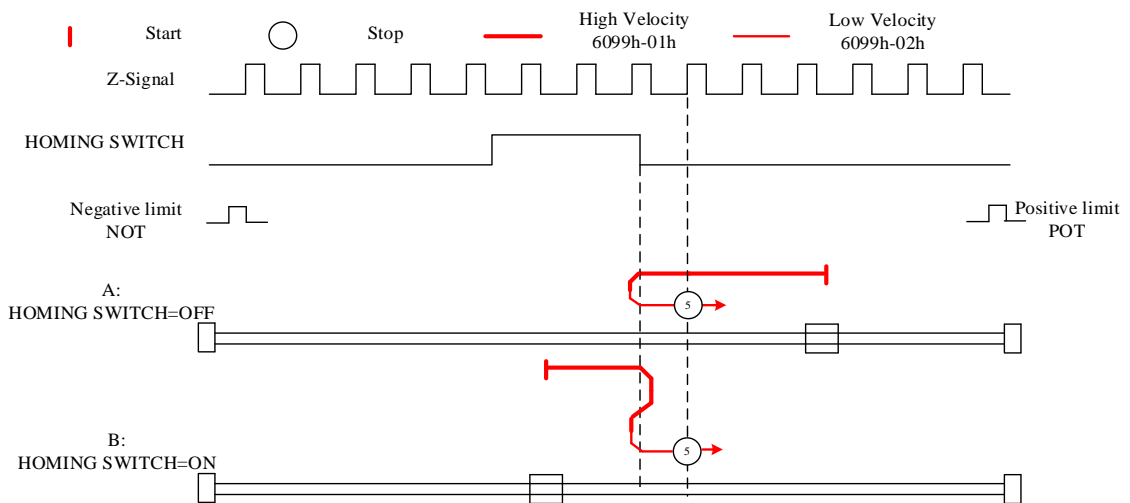
Diagram A: *Homing switch = OFF*

1. Move in **negative direction** at **high velocity** until **homing switch valid**.
2. Move in **positive direction** at **low velocity** and stops after **homing switch** and **first encoder Z-signal valid**

Diagram B: *Homing switch = ON*

1. Start to move at **homing switch position** in **positive direction** at **high velocity** until **after homing switch**.
2. Move in **negative direction** at **high velocity** until **homing switch valid**.
3. Move in **positive direction** at **low velocity** and stops after **homing switch** and **first encoder Z-signal valid**

*If the positive/negative limit switch signal is valid during the homing process, the status word (6041h) bit 13 will be valid, indicating homing error and the motor will stop immediately.*



**Mode 6:**

 Diagram A: *Homing switch = OFF*

1. Move in **negative direction** at **high velocity** until **homing switch valid**.
2. Move in **positive direction** at **high velocity** until **homing switch invalid**.
3. Move in **negative direction** at **low velocity** and stops after **homing switch valid** and **first encoder Z-signal valid**

 Diagram B: *Homing switch = ON*

1. Start to move at **homing switch position** in **positive direction** at **high velocity** until **after homing switch**.
2. Move in **negative direction** at **low velocity** and stops after **homing switch valid** and **first encoder Z-signal valid**

*If the positive/negative limit switch signal is valid during the homing process, the status word (6041h) bit 13 will be valid, indicating homing error and the motor will stop immediately.*

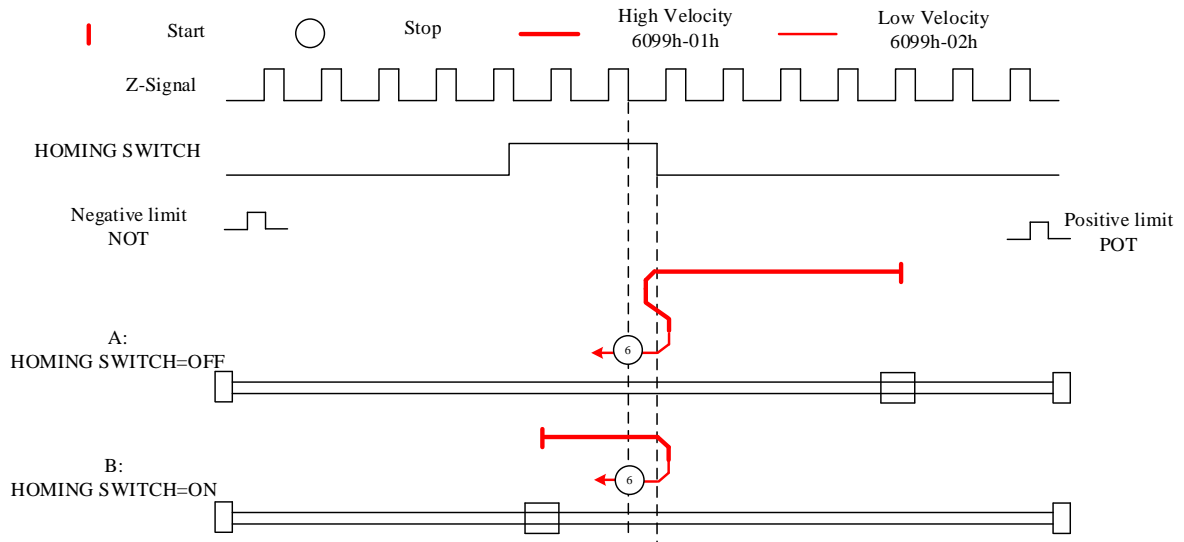

**Limit switch signal + homing switch signal + Z-signal mode**
**Mode 7**

 Diagram A: *Homing switch & positive limit switch = OFF*

1. Move in **positive direction** at **high velocity** until **homing switch valid**.
2. Move in **negative direction** at **low velocity** and stops after **homing switch** and **first encoder Z-signal valid**.

 Diagram B: *Homing switch = ON, positive limit switch = OFF*

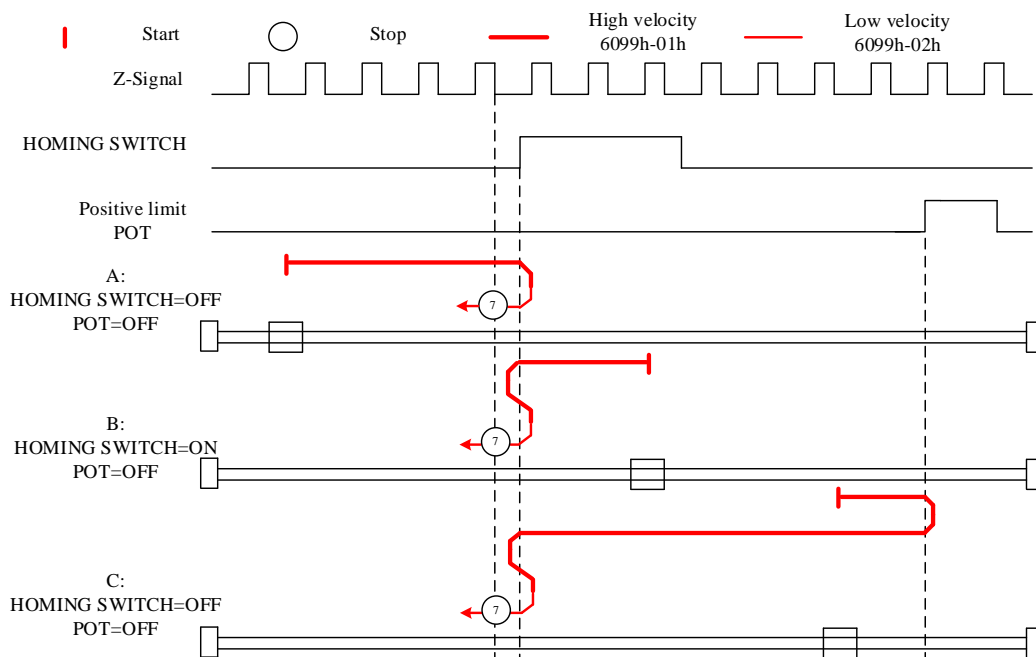
1. Start to move at **homing switch position** in **negative direction** at **high velocity** until **after homing switch**.
2. Move in **positive direction** at **high velocity** until **homing switch valid**.
3. Move in **negative direction** at **low velocity** and stops after **homing switch** and **first**

## encoder Z-signal valid

Diagram C: *Homing switch & positive limit switch = OFF*

1. Move in **positive direction** at **high velocity** until **positive limit switch valid**.
2. Move in **negative direction** at **high velocity** until **after homing switch**.
3. Move in **positive direction** at **high velocity** until **homing switch valid**.
4. Move in **negative direction** at **low velocity** and stops after **homing switch** and **first encoder Z signal valid**

*If the negative limit switch signal is valid during the homing process, the status word (6041h) bit 13 will be valid, indicating homing error and the motor will stop immediately.*



## Mode 8

Diagram A: *Homing switch & positive limit switch = OFF*

1. Move in **positive direction** at **high velocity** until **homing switch valid**.
2. Move in **negative direction** at **high velocity** until **after homing switch**.
3. Move in **positive direction** at **low velocity** and stops after **homing switch valid** and **first encoder Z-signal valid**.

Diagram B: *Homing switch = ON, positive limit switch = OFF*

1. Start to move at **homing switch position** in **negative direction** at **high velocity** until **after homing switch**.
2. Move in **positive direction** at **low velocity** and stops after **homing switch valid** and **first encoder Z-signal valid**

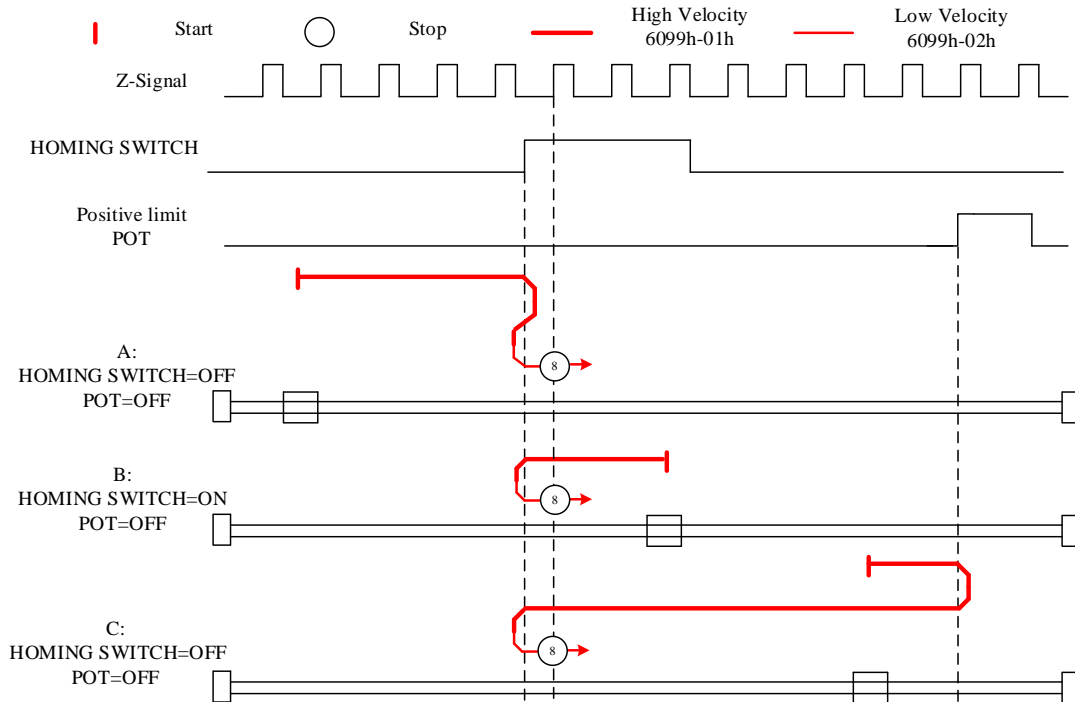
Diagram C: *Homing switch & positive limit switch = OFF*

1. Move in **positive direction** at **high velocity** until **positive limit switch valid**.



2. Move in **negative direction at high velocity** until **after homing switch**.
3. Move in **positive direction at low velocity** and stops after **homing switch valid** and **first encoder Z-signal valid**.

*If the negative limit switch signal is valid during the homing process, the status word (6041h) bit 13 will be valid, indicating homing error and the motor will stop immediately.*



## Mode 9

Diagram A: *Homing switch & positive limit switch = OFF*

1. Move in **positive direction at high velocity** until **after homing switch**.
2. Move in **negative direction at low velocity** and stops after **homing switch valid** and **first encoder Z-signal valid**.

Diagram B: *Homing switch = ON, positive limit switch = OFF*

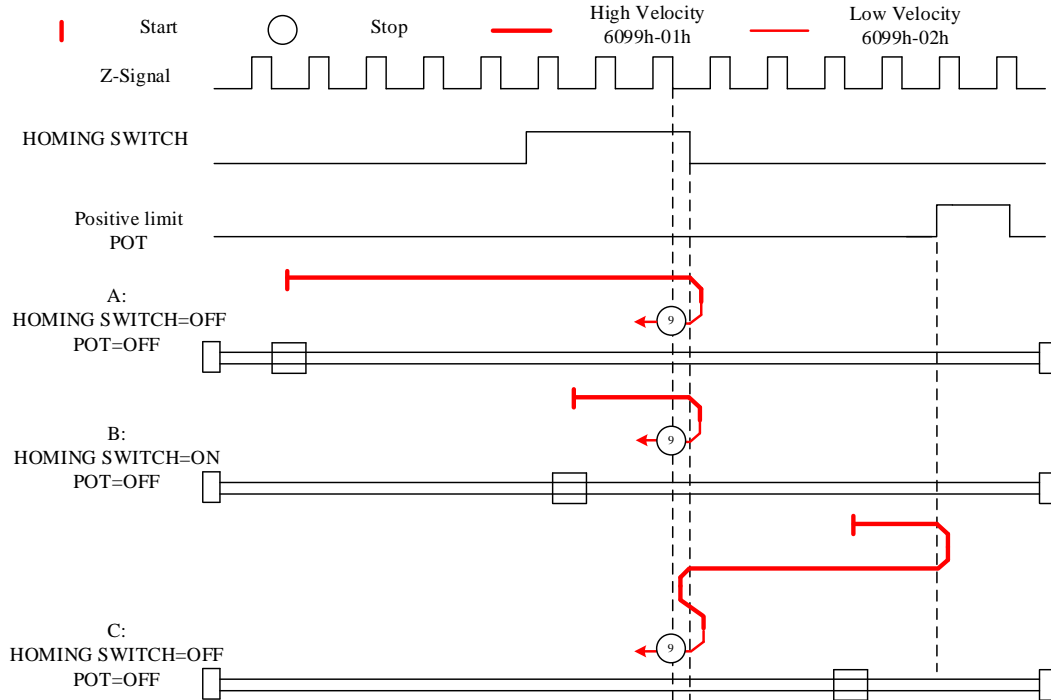
1. Start to move at **homing switch position** in **positive direction at high velocity** until **homing switch invalid**.
2. Move in **negative direction at low velocity** and stops after **homing switch valid** and **first encoder Z-signal valid**

Diagram C: *Homing switch & positive limit switch = OFF*

1. Move in **positive direction at high velocity** until **positive limit switch valid**.
2. Move in **negative direction at high velocity** until **homing switch valid**.
3. Move in **positive direction at high velocity** until **after homing switch**.
4. Move in **negative direction at low velocity** and stops after **homing switch valid** and **first encoder Z-signal valid**

## encoder Z signal valid

If the negative limit switch signal is valid during the homing process, the status word (6041h) bit 13 will be valid, indicating homing error and the motor will stop immediately.



### Mode 10

Diagram A: *Homing switch & positive limit switch = OFF*

1. Move in **positive direction** at **high velocity** until **after homing switch**.
2. Move in **negative direction** at **high velocity** until **homing switch valid**.
3. Move in **positive direction** at **low velocity** and stops **after homing switch** and **first encoder Z-signal valid**.

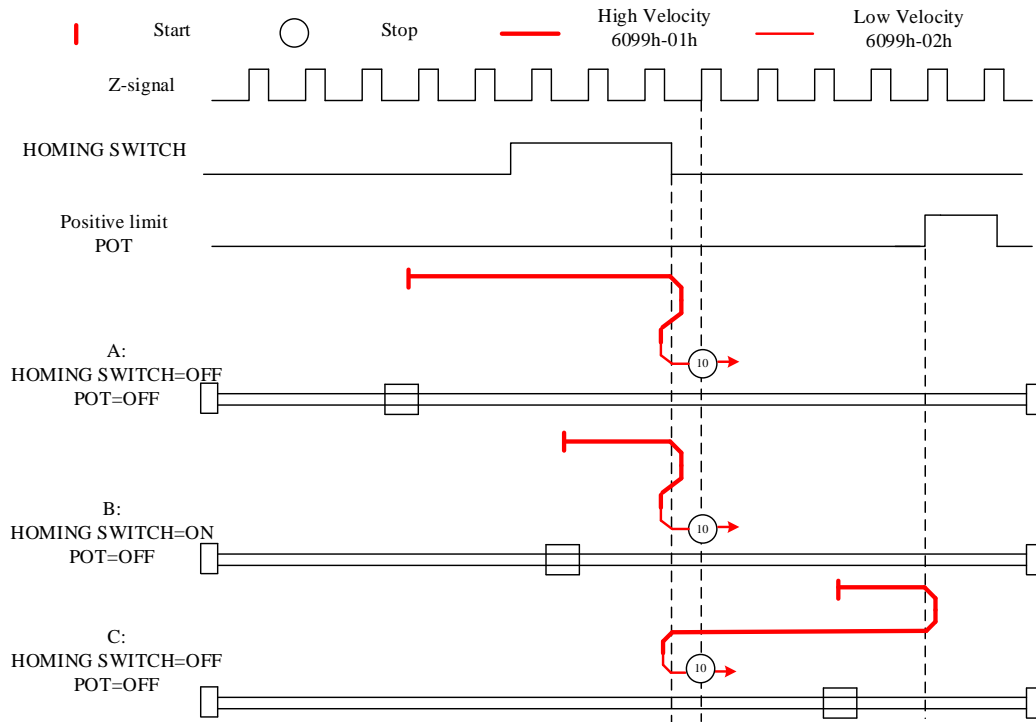
Diagram B: *Homing switch = ON, positive limit switch = OFF*

1. Start to move at **homing switch position** in **positive direction** at **high velocity** until **after homing switch**.
2. Move in **negative direction** at **high velocity** until **homing switch valid**.
3. Move in **positive direction** at **low velocity** and stops **after homing switch** and **first encoder Z-signal valid**

Diagram C: *Homing switch & positive limit switch = OFF*

1. Move in **positive direction** at **high velocity** until **positive limit switch valid**.
2. Move in **negative direction** at **high velocity** until **homing switch valid**.
3. Move in **positive direction** at **low velocity** and stops **after homing switch** and **first encoder Z signal valid**

If the negative limit switch signal is valid during the homing process, the status word (6041h) bit 13 will be valid, indicating homing error and the motor will stop immediately.



### Mode 11

Diagram A: *Homing switch & negative limit switch = OFF*

1. Move in **negative direction** at **high velocity** until **homing switch** valid.
2. Move in **positive direction** at **low velocity** and stops after homing switch and first encoder Z-signal valid

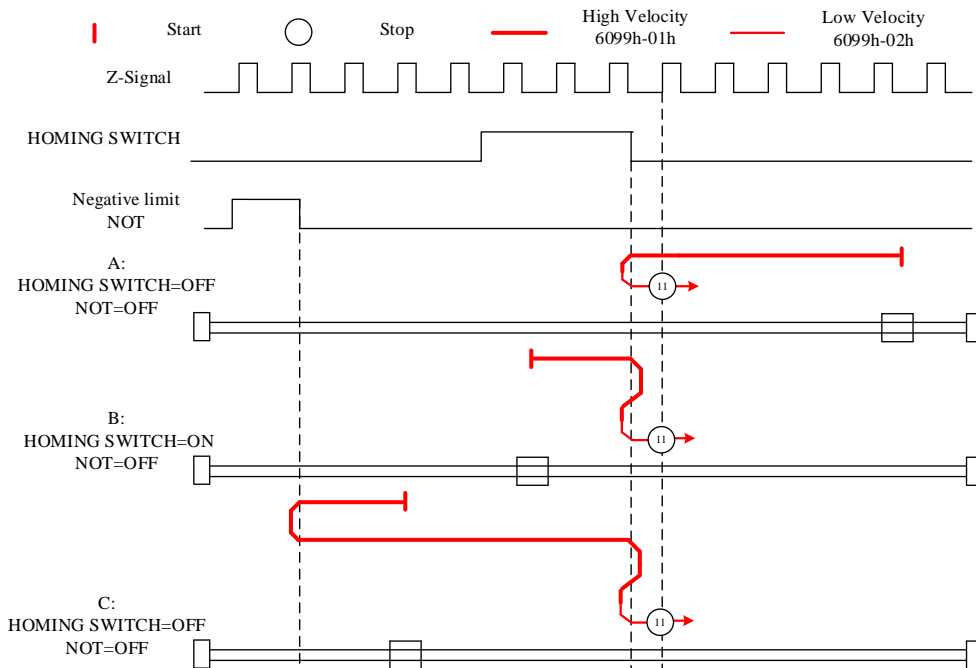
Diagram B: *Homing switch = ON, negative limit switch = OFF*

1. Start to move at **homing switch** position in **positive direction** at **high velocity** until **after homing switch**.
2. Move in **negative direction** at **high velocity** until **homing switch** valid.
3. Move in **positive direction** at **low velocity** and stops after homing switch and first encoder Z-signal valid

Diagram C: *Homing switch & negative limit switch = OFF*

1. Move in **negative direction** at **high velocity** until the **negative limit switch** valid.
2. Move in **positive direction** at **high velocity** until **homing switch** invalid.
3. Move in **negative direction** at **high velocity** until **homing switch** valid.
4. Move in **positive direction** at **low velocity** and stops after homing switch and first encoder Z signal valid

If the positive limit switch signal is valid during the homing process, the status word (6041h) bit 13 will be valid, indicating homing error and the motor will stop immediately.



### Mode 12

Diagram A: *Homing switch & negative limit switch = OFF*

1. Move in **negative direction** at **high velocity** until **homing switch valid**.
2. Move in **positive direction** at **high velocity** until **after homing switch**.
3. Move in **negative direction** at **low velocity** and stops after **homing switch valid** and **first encoder Z-signal valid**

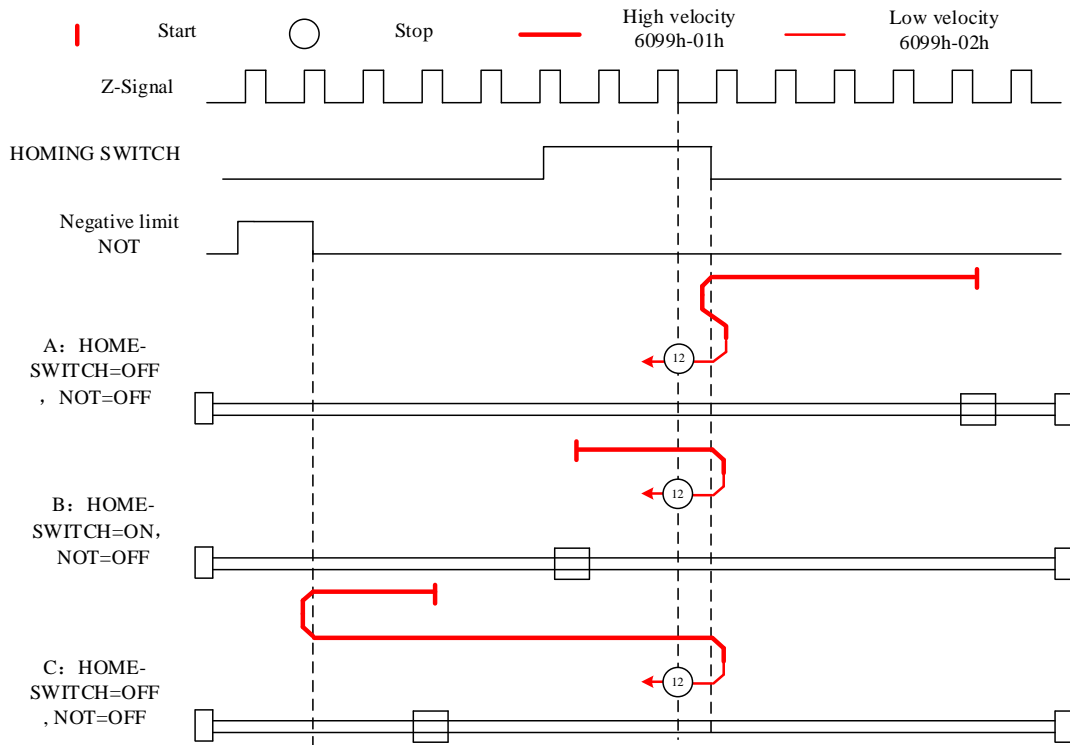
Diagram B: *Homing switch = ON, negative limit switch = OFF*

1. Move at **homing switch position** in **negative direction** at **high velocity** until **after homing switch**.
2. Move in **positive direction** at **low velocity** and stops after **homing switch valid** and **first encoder Z-signal valid**.

Diagram C: *Homing switch & negative limit switch = OFF*

1. Move in **negative direction** at **high velocity** until **negative limit switch valid**.
2. Move in **positive direction** at **high velocity** until **after homing switch**.
3. Move in **negative direction** at **low velocity** and stops after **homing switch valid** and **first encoder Z-signal valid**.

*If the positive limit switch signal is valid during the homing process, the status word (6041h) bit 13 will be valid, indicating homing error and the motor will stop immediately.*



### Mode 13

Diagram A: *Homing switch & negative limit switch = OFF*

1. Move in **negative direction** at **high velocity** until **after homing switch**.
2. Move in **positive direction** at **low velocity** and stops after **homing switch valid** and **first encoder Z-signal valid**.

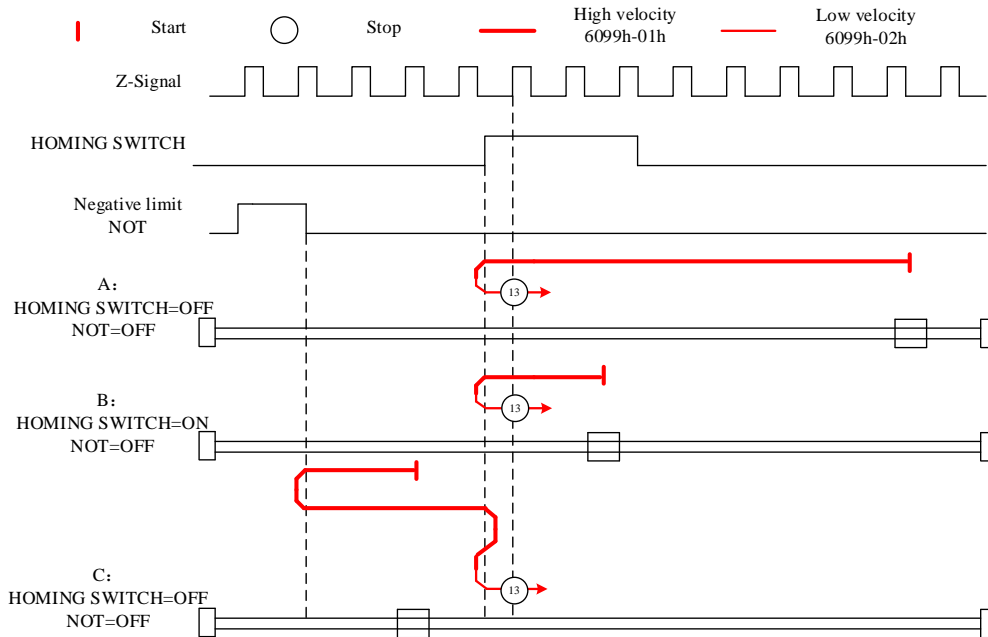
Diagram B: *Homing switch = ON, negative limit switch = OFF*

1. Start to move at **homing switch position** in **negative direction** at **high velocity** until **after homing switch**.
2. Move in **positive direction** at **low velocity** and stops after **homing switch valid** and **first encoder Z-signal valid**.

Diagram C: *Homing switch & negative limit switch = OFF*

1. Move in **negative direction** at **high velocity** until **negative limit switch valid**.
2. Move in **positive direction** at **high velocity** until **homing switch valid**.
3. Move in **negative direction** at **high velocity** until **after homing switch**.
4. Move in **positive direction** at **low velocity** and stops after **homing switch valid** and **first encoder Z-signal valid**.

*If the positive limit switch signal is valid during the homing process, the status word (6041h) bit 13 will be valid, indicating homing error and the motor will stop immediately.*



#### Mode 14

Diagram A: *Homing switch & negative limit switch = OFF*

1. Move in **negative direction** at **high velocity** until **after homing switch**.
2. Move in **positive direction** at **high velocity** until **homing switch valid**.
3. Move in **negative direction** at **low velocity** and stops **after homing switch** and **first encoder Z-signal valid**.

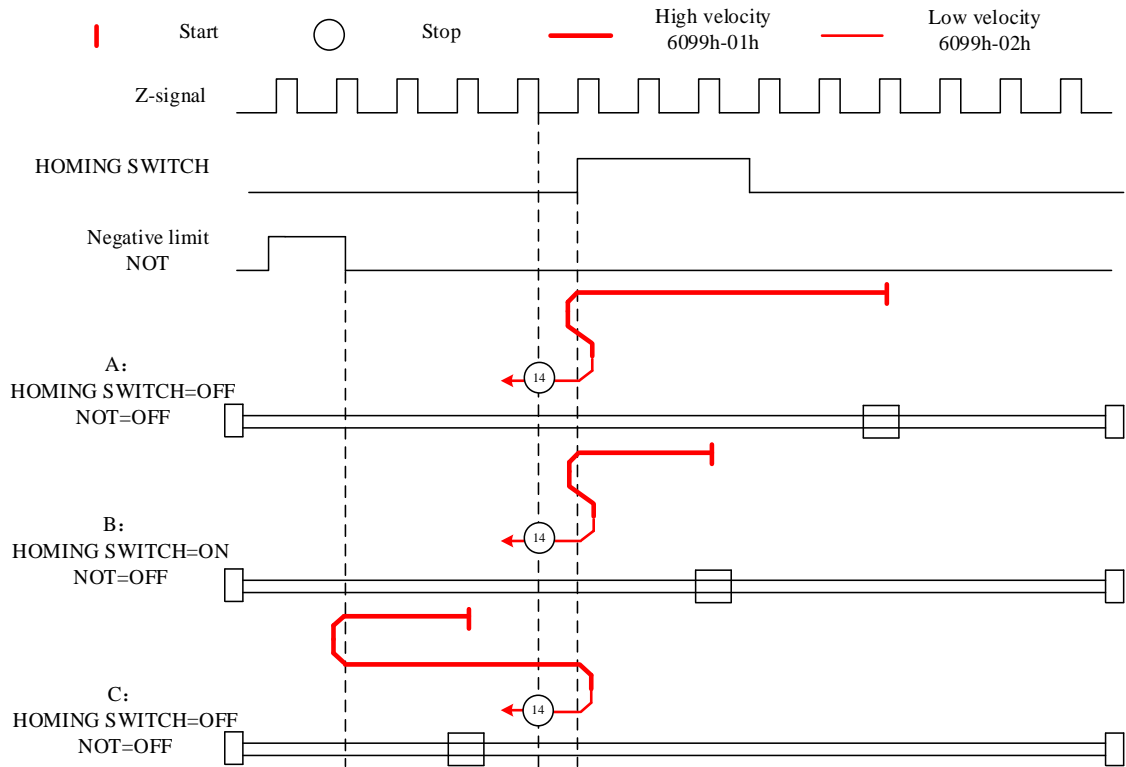
Diagram B: *Homing switch = ON, negative limit switch = OFF*

1. Start to move at **homing switch position** in **negative direction** at **high velocity** until **homing switch invalid**.
2. Move in **positive direction** until **homing switch valid**.
3. Move in **negative direction** at **low velocity** and stops **after homing switch** and **first encoder Z signal valid**.

Diagram C: *Homing switch & negative limit switch = OFF*

1. Move in **negative direction** at **high velocity** until **negative limit switch valid**.
2. Move in **positive direction** at **high velocity** until **homing switch valid**.
3. Move in **negative direction** at **low velocity** and stops **after homing switch** and **first encoder Z-signal valid**.

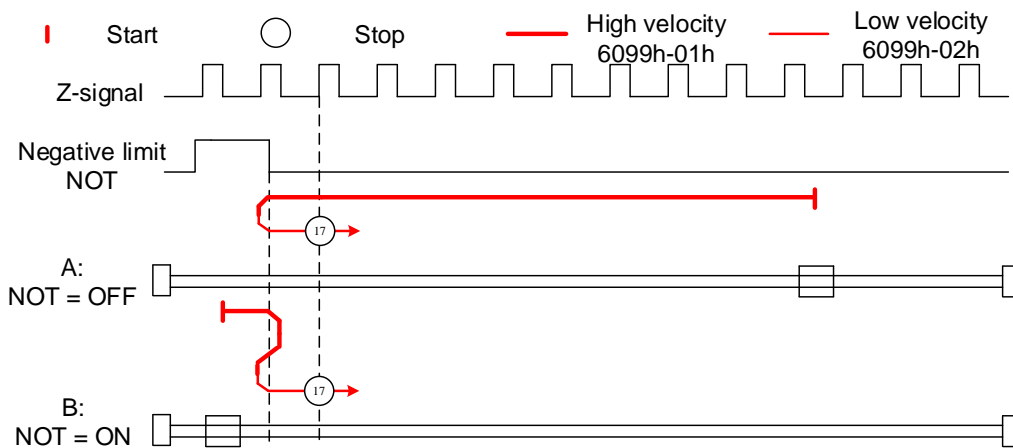
*If the positive limit switch signal is valid during the homing process, the status word (6041h) bit 13 will be valid, indicating homing error and the motor will stop immediately.*



**Limit switch signal triggering detection mode**

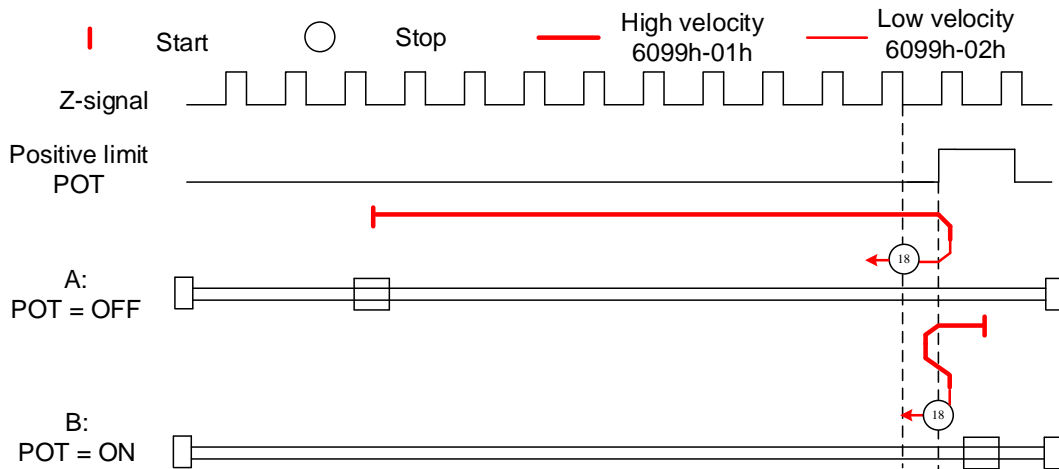
**Mode 17:**

This mode is similar to mode 1. Only difference is that homing point detection is not through Z-signal but through triggering of negative limit switch signal



**Mode 18:**

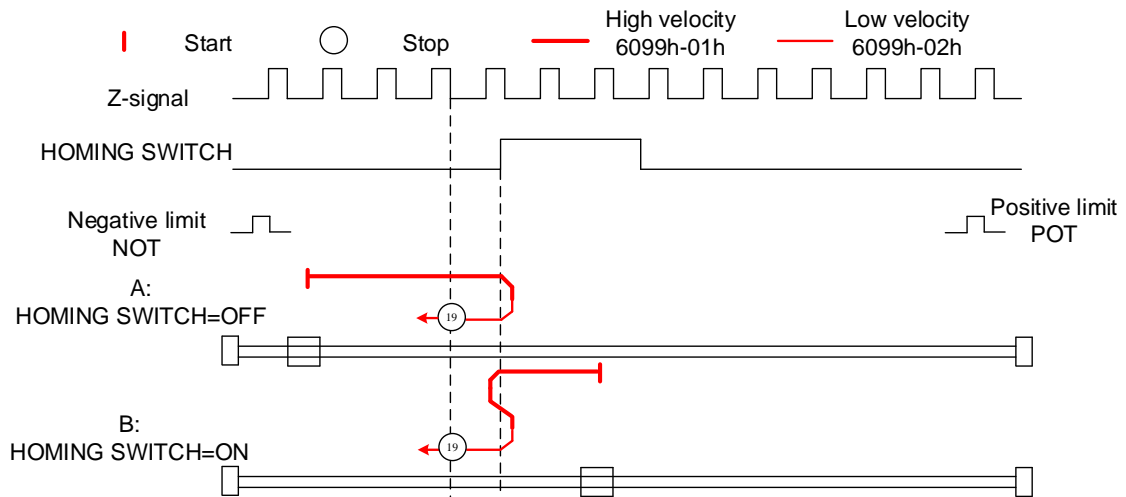
This mode is similar to mode 2. Only difference is that homing point detection is not through Z-signal but through switching of positive limit signal



**Homing switch signal triggering detection mode**

**Mode 19:**

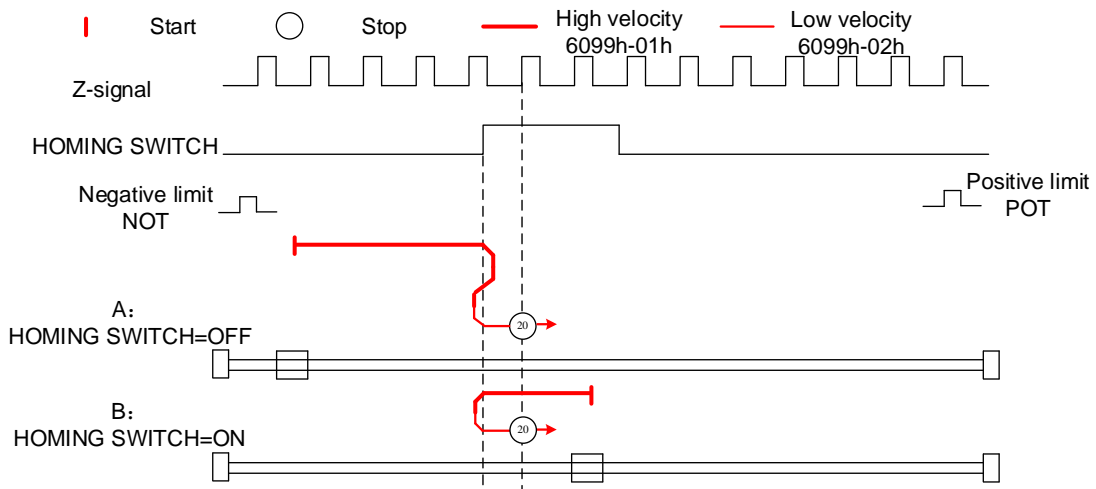
This mode is similar to mode 3. Only difference is that homing point detection is not through Z-signal but through triggering of homing switch signal





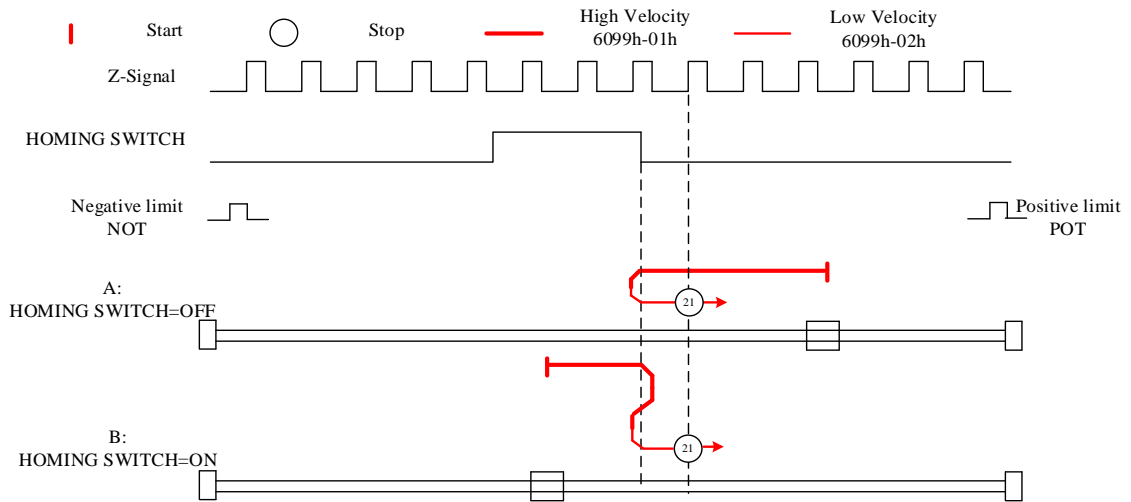
**Mode 20:**

This mode is similar to mode 4. Only difference is that homing point detection is not through Z-signal but through triggering of homing switch signal



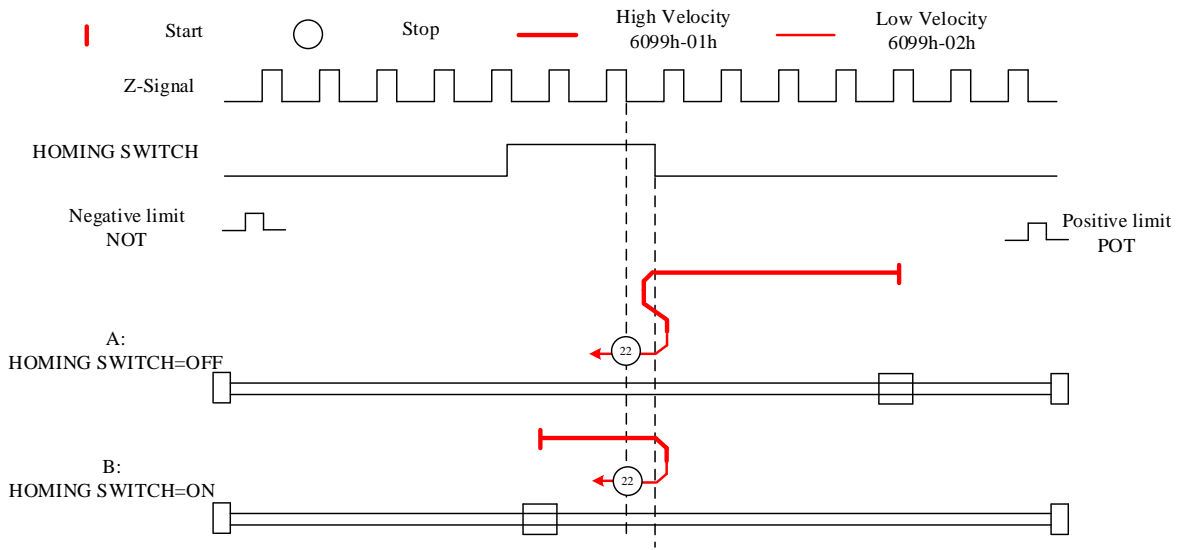
**Mode 21:**

This mode is similar to mode 5. Only difference is that homing point detection is not through Z-signal but through triggering of homing switch signal.



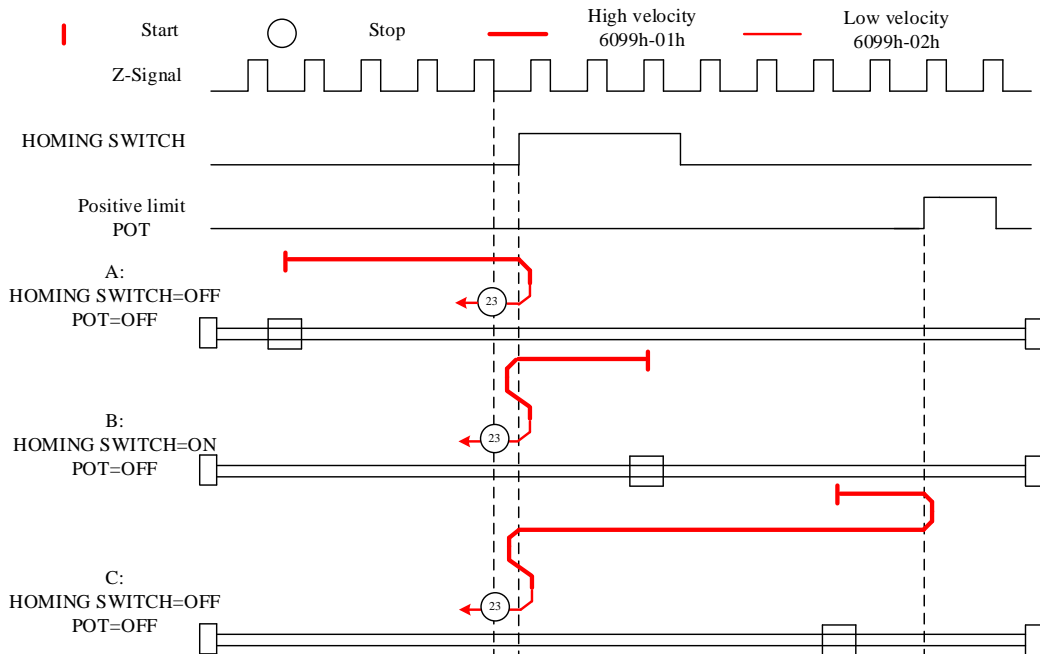
**Mode 22:**

This mode is similar to mode 6. Only difference is that homing point detection is not through Z-signal but through triggering of homing switch signal.



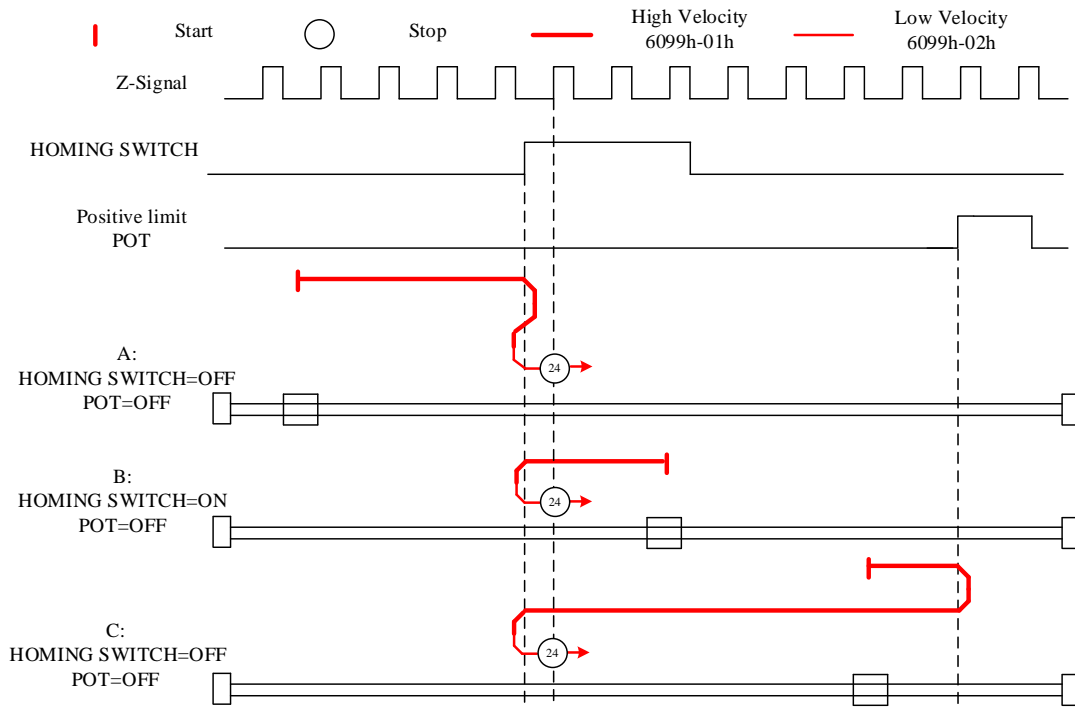
**Mode 23:**

This mode is similar to mode 7. Only difference is that homing point detection is not through Z-signal but through triggering of homing switch signal.



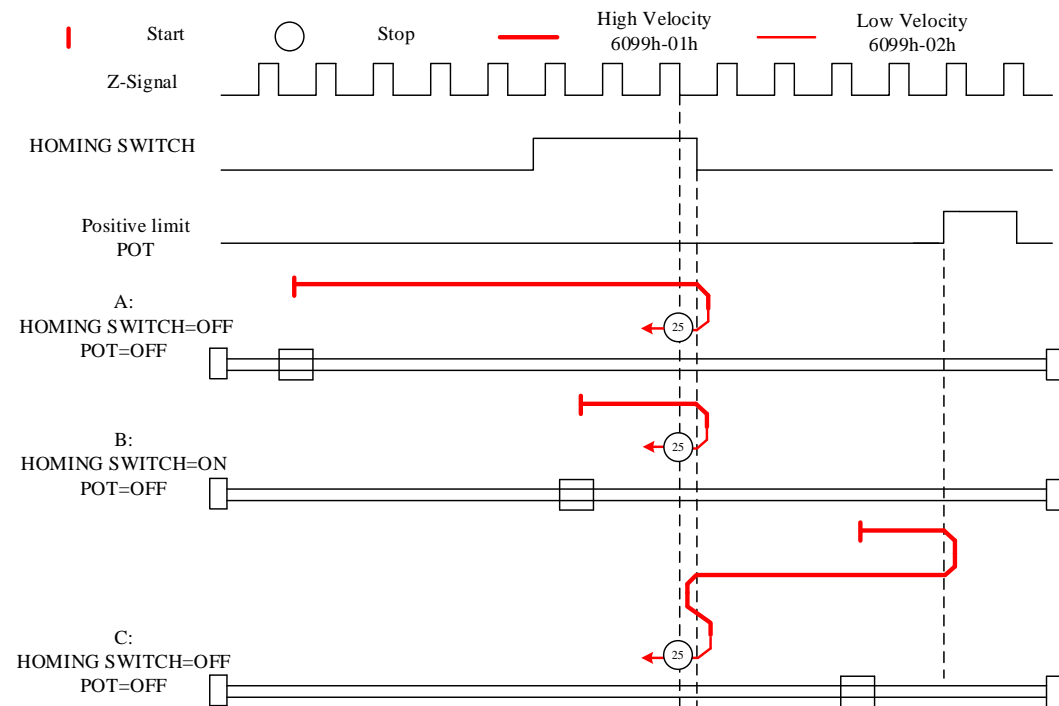
**Mode 24:**

This mode is similar to mode 8. Only difference is that homing point detection is not through Z-signal but through triggering of homing switch signal.



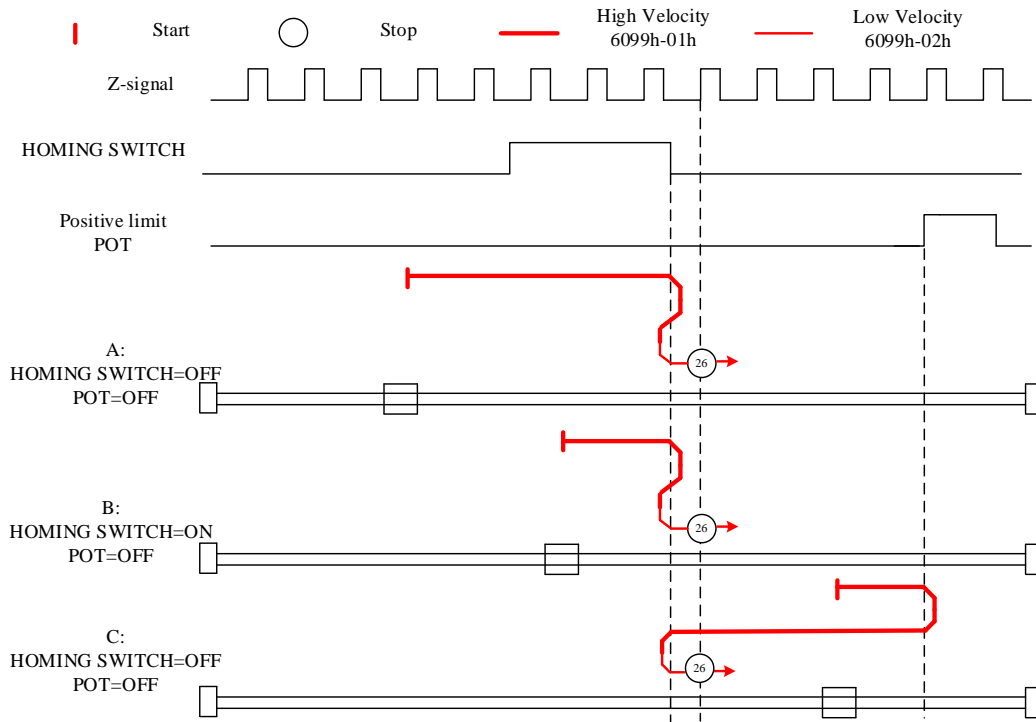
**Mode 25:**

This mode is similar to mode 9. Only difference is that homing point detection is not through Z-signal but through triggering of homing switch signal

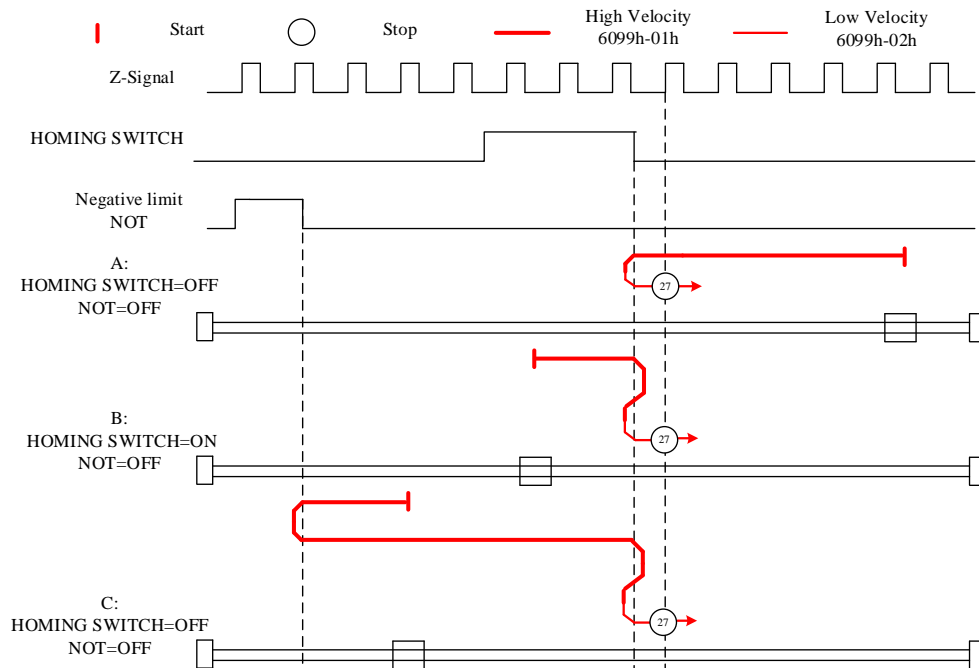


**Mode 26:**

This mode is similar to mode 10. Only difference is that homing point detection is not through Z-signal but through triggering of homing switch signal

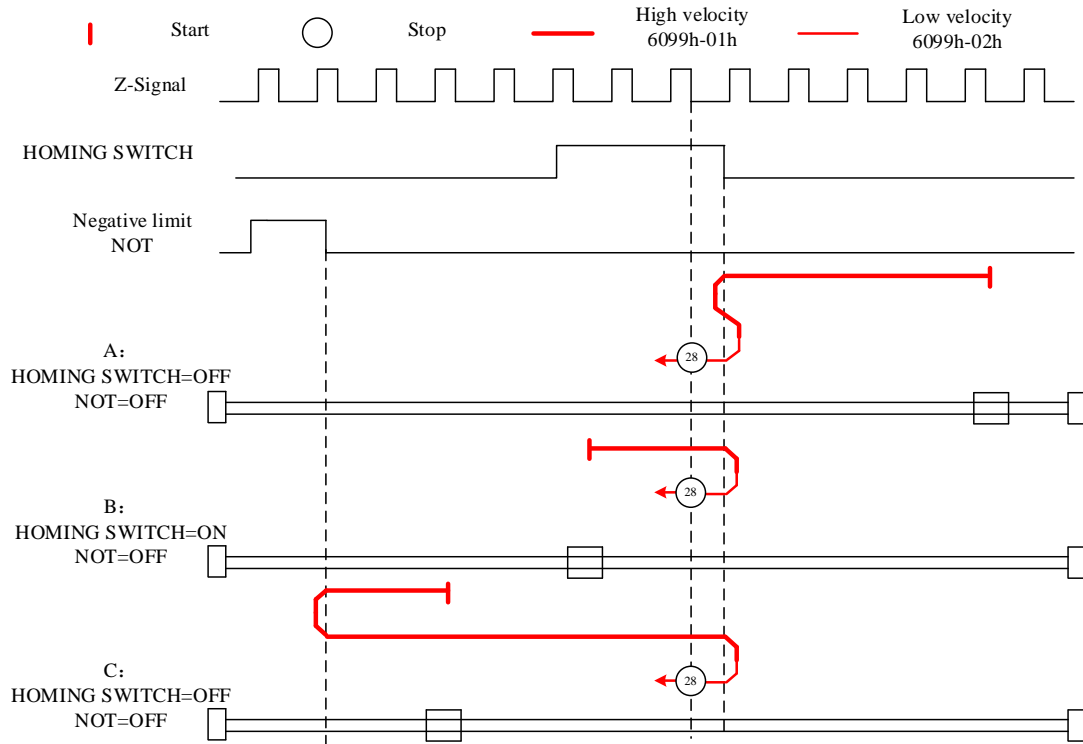

**Mode 27:**

This mode is similar to mode 11. Only difference is that homing point detection is not through Z-signal but through triggering of homing switch signal

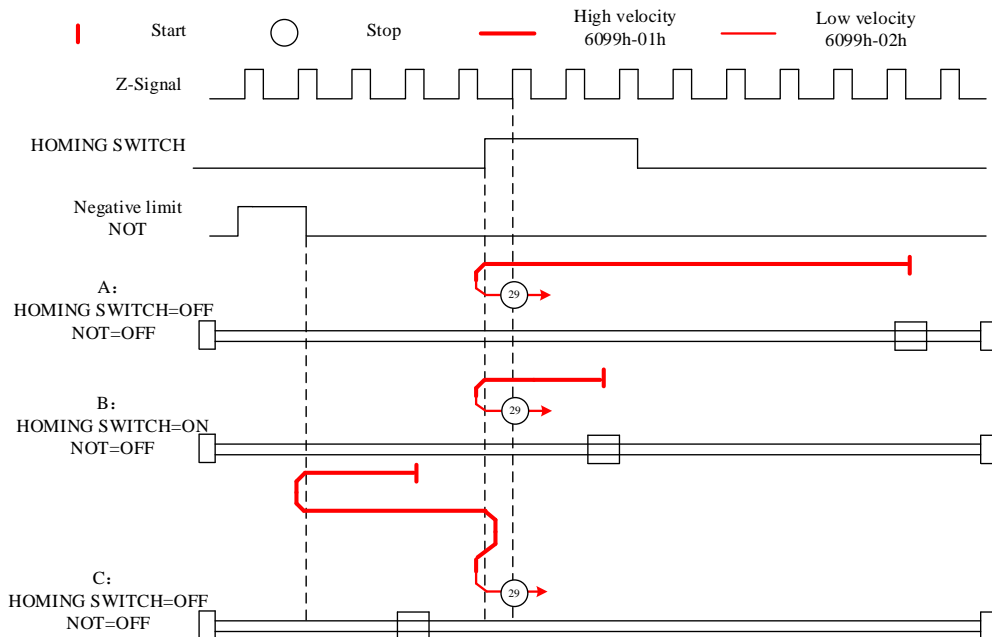


**Mode 28:**

This mode is similar to mode 12. Only difference is that homing point detection is not through Z-signal but through triggering of homing switch signal

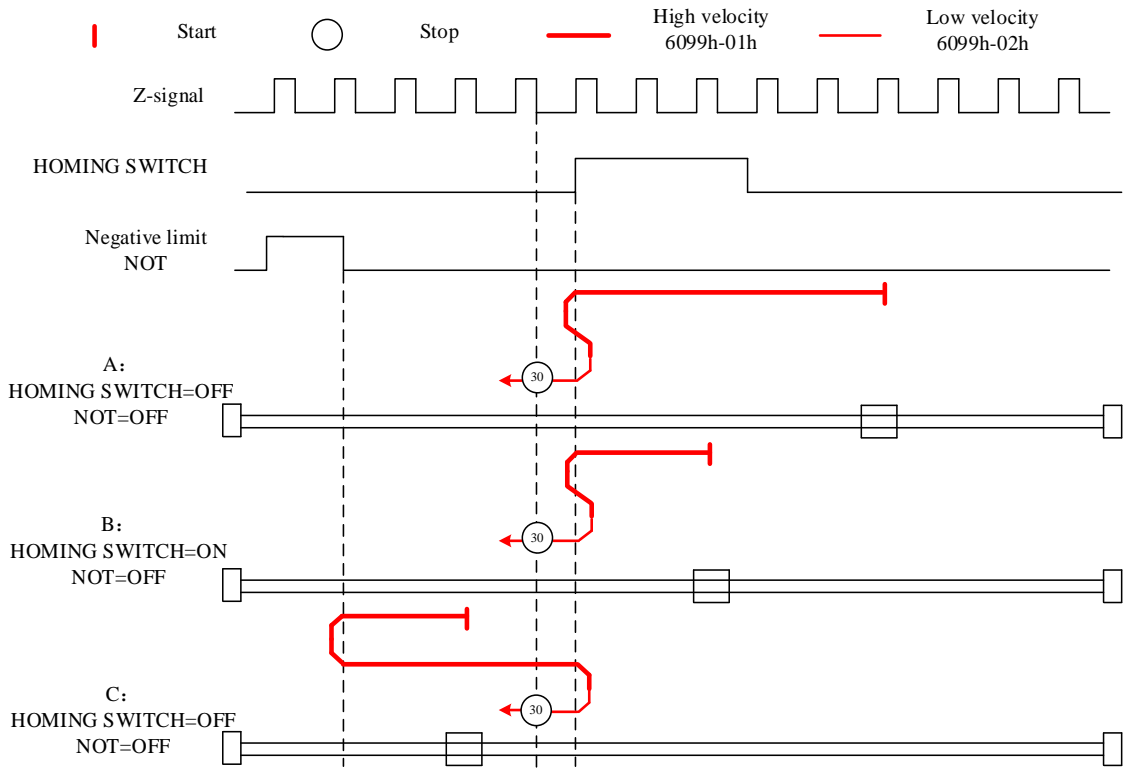

**Mode 29:**

This mode is similar to mode 13. Only difference is that homing point detection is not through Z-signal but through triggering of homing switch signal



**Mode 30:**

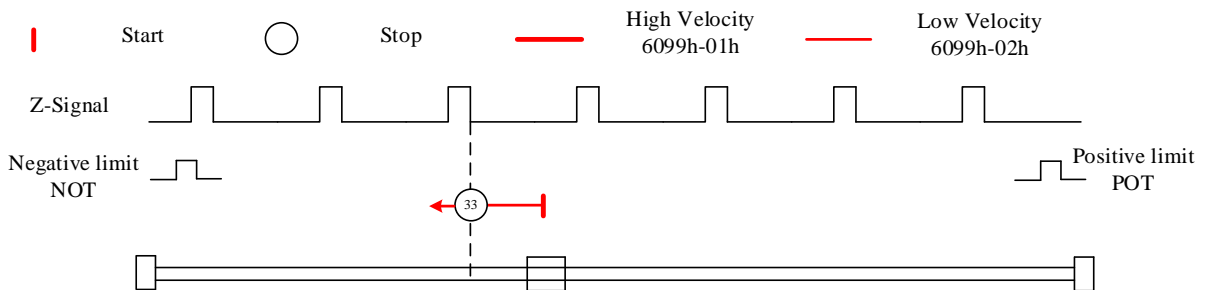
This mode is similar to mode 14. Only difference is that homing point detection is not through Z-signal but through triggering of homing switch signal



**Other modes**

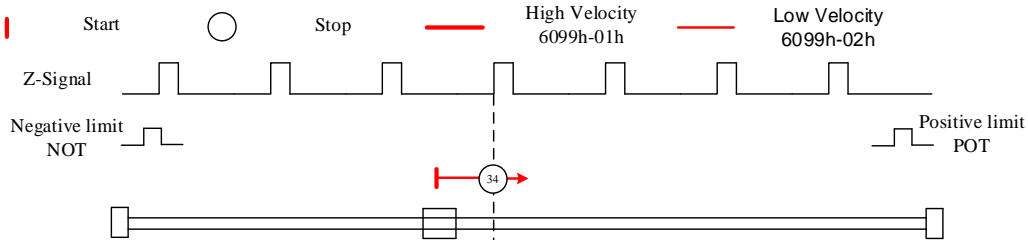
**Mode 33:**

The motor starts to move in **negative direction** and stops when the **Z-signal is valid**. *If the positive/negative limit switch signal or homing switch is valid during the homing process, the status word (6041h) bit 13 will be valid, indicating homing error and the motor will stop immediately.*



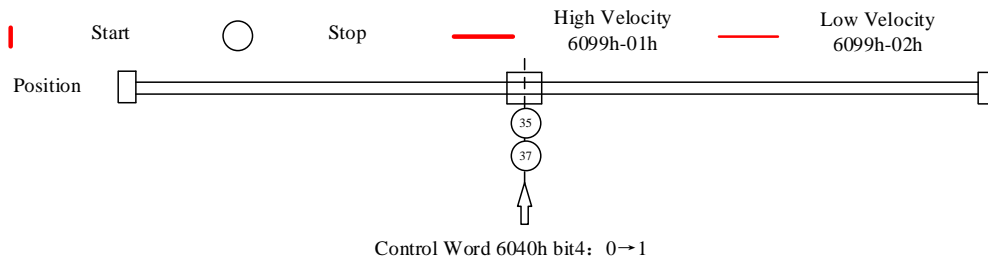
### Mode 34:

The motor starts to move in **positive direction** and stops when the **Z-signal is valid**.  
 If the positive/negative limit switch signal or homing switch is valid during the homing process, the status word (6041h) bit 13 will be valid, indicating homing error and the motor will stop immediately.



### Mode 35/37:

Set the current position as homing point. Using this mode, motor doesn't have to be enabled. Set control word 6040h bit 4 from 0 to 1.



### Application: Realization of homing motion

- Step 1: 6060h = 6, determine if 6061h = 6. Servo driver is now under HM mode.
- Step 2: Write motion parameters: Homing method 6098h, Homing velocity 6099h-01/6099h-02 and acceleration/deceleration 609Ah.
- Step 3: Enable servo driver and switch bit 4 from 0 to 1 to start homing motion.

## 5.6 Velocity Control Mode (CSV、PV)

### 5.6.1 Common Functions of Velocity Control

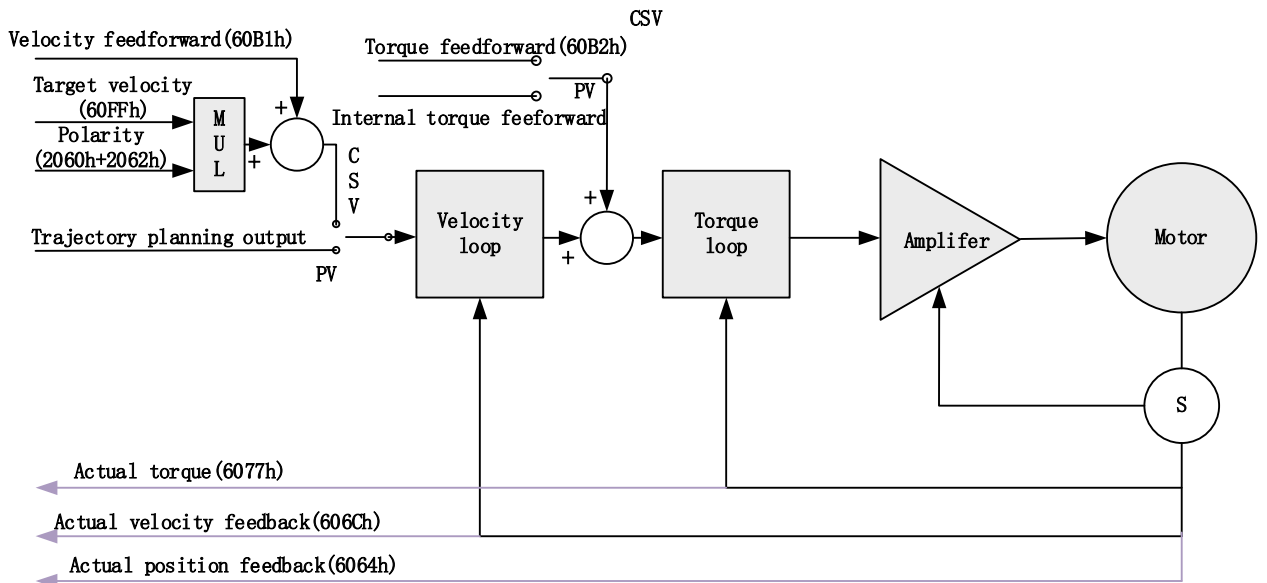
Index	Sub Index	Name	Access	PDO	Mode	
					CSV	PV
6040	0	Control word	RW	RxPDO	Yes	Yes
6072	0	Max torque	RW	RxPDO	Yes	Yes
6080	0	Maximum motor velocity	RW	RxPDO	Yes	Yes
60B1	0	Velocity feedforward (Restricted by 6080)	RW	RxPDO	Yes	Yes

60B2	0	Torque feedforward	RW	RxPDO	Yes	Yes
60FF	0	Target velocity (Restricted by 6080)	RW	RxPDO	Yes	Yes

Index	Sub Index	Name	Access	PDO	Mode	
					CSV	PV
6041	0	Status word	RO	TxPDO	Yes	Yes
6063	0	Actual internal position	RO	TxPDO	Yes	Yes
6064	0	Actual feedback position	RO	TxPDO	Yes	Yes
606B	0	Internal command velocity	RO	TxPDO	Yes	Yes
606C	0	Actual feedback velocity	RO	TxPDO	Yes	Yes
6074	0	Internal torque command	RO	TxPDO	Yes	Yes
6076	0	Rated torque	RO	TxPDO	Yes	Yes
6077	0	Actual torque	RO	TxPDO	Yes	Yes

## 5.6.2 Cyclic Synchronous Velocity Mode (CSV)

### CSV Block Diagram





## Related Objects

### Basic object

PDO	Index+Sub-Index	Name	Data Type	Access	Unit	Remarks
(RXPDO)	6040-00h	Control word	U16	RW	—	Required
	60FF-00h	Target velocity	I32	RW	Uint	Required
	60B1-00h	Velocity feedforward	I32	RW	Uint /S	Optional
	60B2-00h	Torque feedforward	I16	RW	0.1%	Optional
(TXPDO)	6041-00h	Status word	U16	RO	—	Required
	6064-00h	Actual position feedback	I32	RO	Uint	Optional
	606C-00h	Actual speed feedback	I32	RO	Uint /S	Optional
	60F4-00h	Actual following error	I32	RO	Uint	Optional
	6077-00h	Actual torque	I16	RO	0.1%	Optional

### Extended object

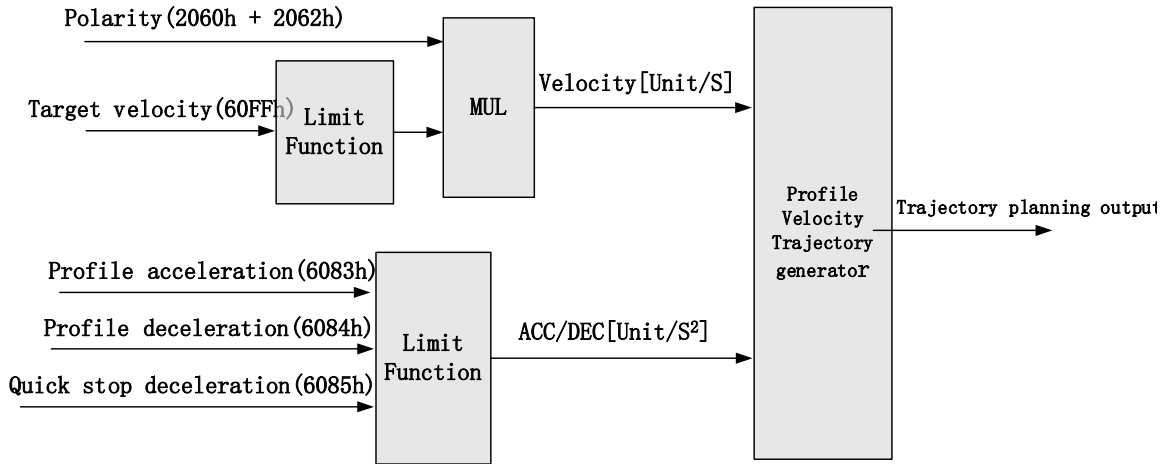
Index+Sub-Index	Name	Data Type	Access	Unit
603F-00h	Error code	U16	RO	—
6060-00h	Operation mode	I8	RW	—
6061-00h	Displayed operation mode	I8	RO	—
606B-00h	Internal command velocity	I32	RO	Uint
605A-00h	Quick stop option	I16	RW	—
6085-00h	Quick stop deceleration	U32	RW	Uint /S

## 5.6.3 Profile Velocity Mode (PV)

In asynchronous motion mode, master device is only responsible for sending motion parameters and control commands. EL7-EC servo drive will conduct trajectory planning according to the motion parameters sent by master device after receiving the motion start command from the master device. In asynchronous motion mode, the motion between each axes is asynchronous.

### PV Block Diagram

The difference between PV and CSV mode is that PV needs EL7-EC to have the function of trajectory generator. The input and output structure of the trajectory generator is shown in figure 7.8



## Related Objects

### Basic object

PDO	Index+Sub-Index	Name	Data Type	Access	Unit	Notes
(RXPDO)	6040-00h	Control word	U16	RW	—	Required
	60FF-00h	Target velocity	I32	RW	Uint	Required
	6083-00h	Acceleration	I32	RW	Uint /S	Optional
(TXPDO)	6041-00h	Status word	U16	RO	—	Required
	6064-00h	Position feedback	I32	RO	Uint	Optional
	606C-00h	Velocity feedback	I32	RO	Uint /S	Optional
	60F4-00h	Actual following error	I32	RO	Uint	Optional
	6077-00h	Actual torque	I16	RO	0.1%	Optional

### Extended object

Index+Sub-Index	Name	Data Type	Access	Unit
603F-00h	Error code	U16	RO	—
6060-00h	Operation mode	I8	RW	—
6061-00h	Displayed operation mode	I8	RO	—
605A-00h	Quick stop option	I16	RW	—
6084-00h	Deceleration	U32	RW	Uint /S
6085-00h	Quick stop deceleration	U32	RW	Uint /S

### Control Word and Status Word for Profile Velocity Mode

The bit6~4 of control words (6040h) associated with the control mode in PV mode are invalid. The motion in PV mode can be triggered as long as the motion parameters (target velocity (60FFh) ACC/DEC (6083h/6084h)) are given after the axis is enabled.

**Table7. Bit15~12、10、8 of Status word (6041h) for Profile Velocity Mode**

Bit (Label)	Value	Details
8 (Quick stop)	0	Quick stop invalid
	1	Quick stop valid
10 (Velocity reached)	0	Velocity not yet reached
	1	Velocity reached
12 (Zero speed)	0	It's not zero speed. It's moving.
	1	Zero speed or it's going to slow down to zero speed *1)

\*1) Zero speed of bit 12 is generally effective when deceleration stop and hardware limit valid.

### Application: Realization of profile velocity motion

Step 1: 6060h = 3, determine if 6061h = 3. Servo driver is now under PV mode.

Step 2: Write motion parameters: Target velocity 60FFh, acceleration 6083h and deceleration 6084h.

## 5.7 Torque Mode (CST、PT)

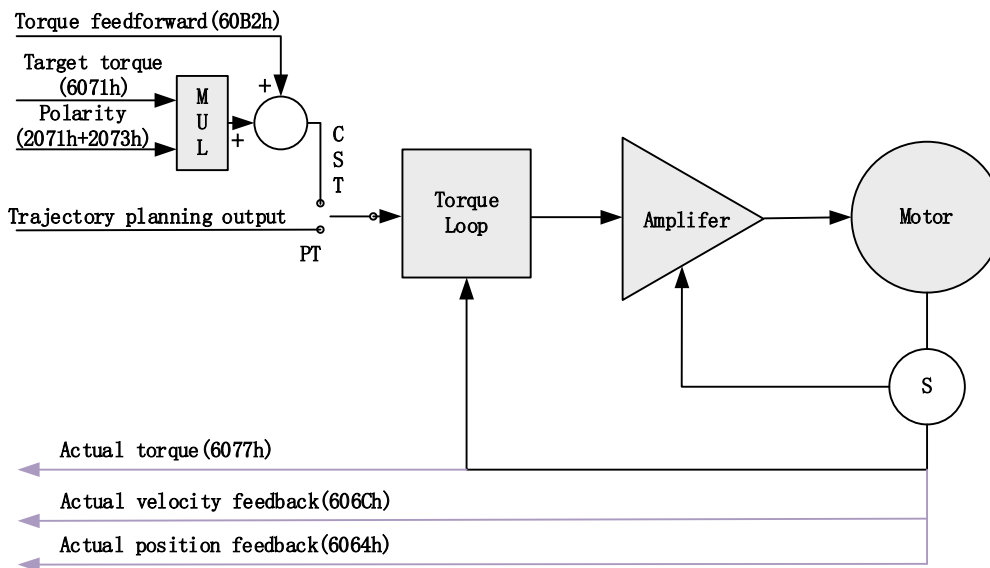
### 5.7.1 Common Functions of Torque Mode

Index	Sub Index	Label	Access	PDO	Mode	
					CST	PT
6040	0	Control word	RW	RxPDO	Yes	Yes
6071	0	Target torque	RW	RxPDO	Yes	Yes
6072	0	Max torque	RW	RxPDO	Yes	Yes
6080	0	Maximum motor speed	RW	RxPDO	Yes	Yes
6087	0	Torque change rate	RW	RxPDO	Yes	Yes
60B2	0	Torque feedforward	RW	RxPDO	Yes	Yes

Index	Sub Index	Label	Access	PDO	Mode	
					CST	PT
6041	0	Status word	RO	TxPDO	Yes	Yes
6063	0	Actual internal position	RO	TxPDO	Yes	Yes
6064	0	Actual feedback position	RO	TxPDO	Yes	Yes
606C	0	Actual feedback velocity	RO	TxPDO	Yes	Yes
6074	0	Internal torque command	RO	TxPDO	Yes	Yes
6075	0	Rated current	RO	No	Yes	Yes
6076	0	Rated torque	RO	No	Yes	Yes
6077	0	Actual torque	RO	TxPDO	Yes	Yes
6079	0	Bus voltage	RO	TxPDO	Yes	Yes

## 5.7.2 Cyclic Synchronous Torque Mode (CST)

### CST Block Diagram



### Related Objects

#### Basic object

PDO	Index+Sub-Index	Name	Data Type	Access	Unit	Remarks
(RXPDO)	6040-00h	Control word	U16	RW	—	Required
	6071-00h	Target torque	I16	RW	Uint	Required

	6087-00h	Torque feed-forward	U32	RW	0.1%/S	Optional
(TXPDO)	6041-00h	Status word	U16	RO	—	Required
	6064-00h	Actual position feedback	I32	RO	Uint	Optional
	606C-00h	Actual velocity feedback	I32	RO	Uint /S	Optional
	60F4-00h	Actual following error	I32	RO	Uint	Optional
	6077-00h	Actual torque	I16	RO	0.1%	Required

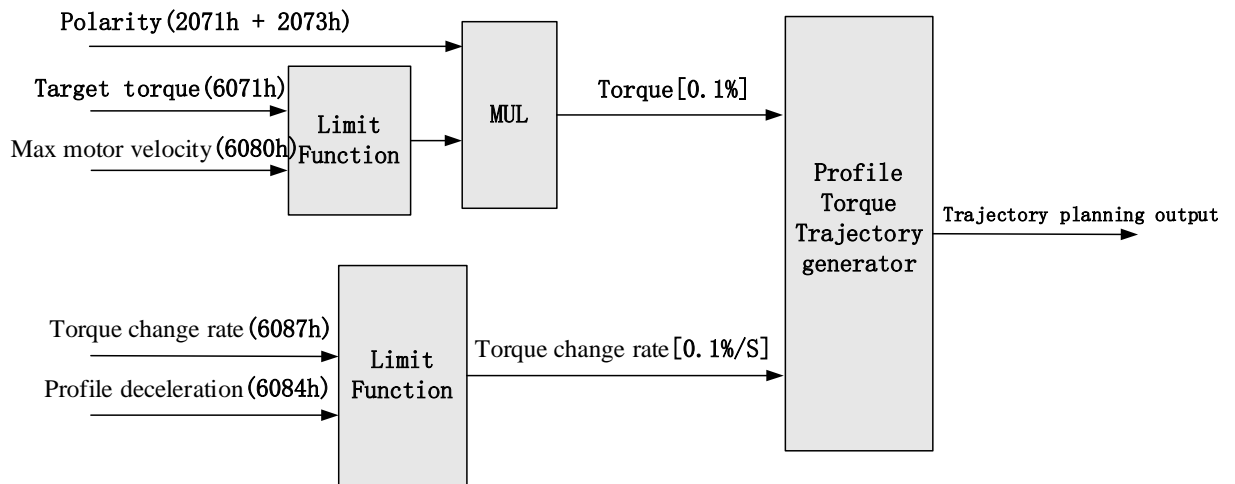
#### Extended object

Index+Sub-Index	Name	Data Type	Access	Unit
603F-00h	Error code	U16	RO	—
6060-00h	Operation mode	I8	RW	—
6061-00h	Displayed operation mode	I8	RO	—
6074-00h	Internal command torque	I16	RO	0.1%
605A-00h	Quick stop option	I16	RW	—
6080-00h	Maximum motor velocity	U32	RW	Uint /S
6085-00h	Quick stop deceleration	U32	RW	Uint /S
60B1-00h	Velocity feedforward	I32	RW	Uint /S
2077-00h	Velocity limit	I16	RW	RPM

### 5.7.3 Profile Torque Mode (PT)

In asynchronous motion mode, master device is only responsible for sending motion parameters and control commands. EL7-EC servo drive will conduct trajectory planning according to the motion parameters sent by master device after receiving the motion start command from the master device. In asynchronous motion mode, the motion between each axes is asynchronous.

## PT Block Diagram



## Related Objects

### Basic object

PDO	Index+Sub-Index	Label	Data Type	Access	Unit	Notes
(RXPDO)	6040-00h	Control word	U16	RW	—	Required
	6071-00h	Target torque	I16	RW	0.1%	Required
	6087-00h	Torque change rate	U32	RW	0.1%/S	Optional
(TXPDO)	6041-00h	Status word	U16	RO	—	Required
	6064-00h	Actual feedback position value	I32	RO	Uint	Optional
	606C-00h	Actual feedback speed value	I32	RO	Uint /S	Optional
	60F4-00h	Actual following error	I32	RO	Uint	Optional
	6077-00h	Actual torque	I16	RO	0.1%	Optional

### Extended object

Index+Sub-Index	Label	Data Type	Access	Unit
603F-00h	Error code	U16	RO	—
6060-00h	Operation mode	I8	RW	—
6061-00h	Displayed operation mode	I8	RO	—
6074-00h	Internal command torque	I16	RO	0.1%
6080-00h	Maximum motor velocity	U32	RW	Uint /S
605A-00h	Quick stop option	I16	RW	—
6085-00h	Quick stop deceleration	U32	RW	Uint /S

2077-00h	Velocity limit	I16	RW	RPM
----------	----------------	-----	----	-----

**Application: Realization of profile torque motion**

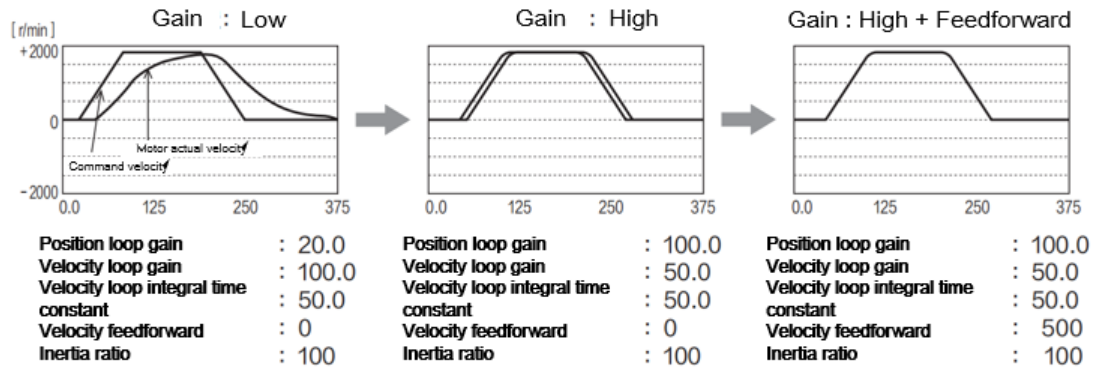
Step 1: 6060h = 4, determine if 6061h = 4. Servo driver is now under PT mode.

Step 2: Write motion parameters: Target torque 6071h, Torque change rate 6087h, and Max. velocity limit 6080h

## Chapter 6 Application

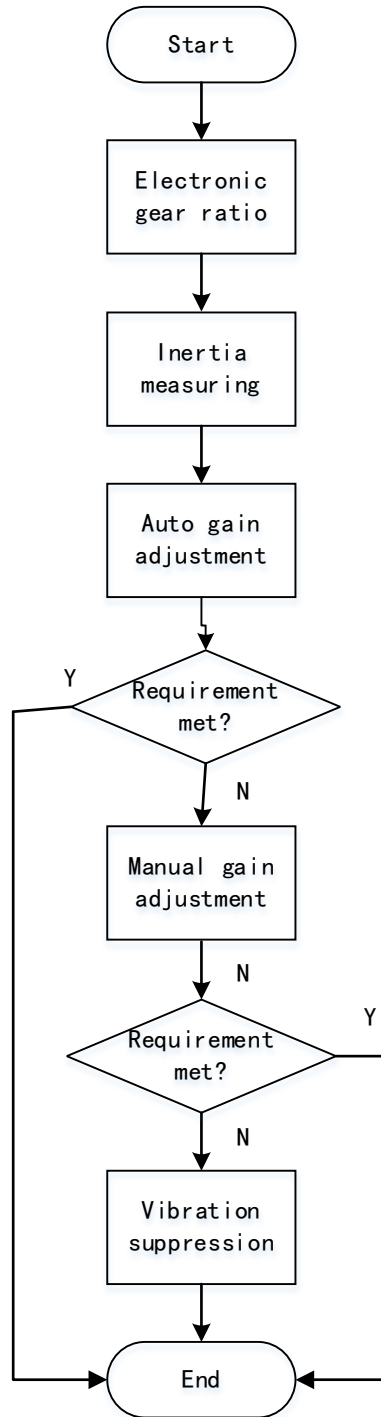
### 6.1 Gain Adjustment

In order for servo driver to execute commands from master device without delay and to optimize machine performance, gain adjustment has to be done.



Servo driver gain adjustment is done in combination with a few other parameters (Inertia ratio, Position loop gain, Velocity loop gain and Filters settings). These parameters will have an effect on each other so it is always advisable to tune each parameter according in order to achieve optimal machine performance. Please refer to the steps below





Steps	Functions	Explanation
Inertia measuring	Online	Motor moves with command from controller, servo driver will automatically calculate load-inertia ratio
	Offline	Using servo driver inertia determining function, servo driver can automatically calculate load-inertia ratio
Auto gain adjustment	Auto gain adjustment	Real time determining of mechanical load, gain value is set accordingly.

Manual gain adjustment	Basic gain	On top of auto gain adjustment, manually adjust related parameters so that machine can have better responsiveness and following
	Command pulse filter	Set filter for position, velocity and torque command pulse.
	Gain feedforward	Enable feedforward function to improve following behaviour
Vibration suppression	Mechanical resonance	Using notch filtering function to suppress mechanical resonance.

## 6.2 Inertia measuring function

Inertia ratio = Total mechanical load rotational inertia / Electronic gear rotational inertia

Inertia ratio is an important parameter. Setting a suitable value can help with the precise tuning of the servo system. Inertia ratio can be set manually and also be determined automatically through servo driver

### 6.2.1 Online inertia determination

Enable motor using controller. Let motor run at above 400rpm, make sure there are acceleration, constant velocity and deceleration phase during the whole run. Cycle through 2-3 times to calculate load-inertia ratio. Result can be found on the front panel d16 or through Motion Studio system monitoring page. Enter the calculated value into Pr0.04 and save.

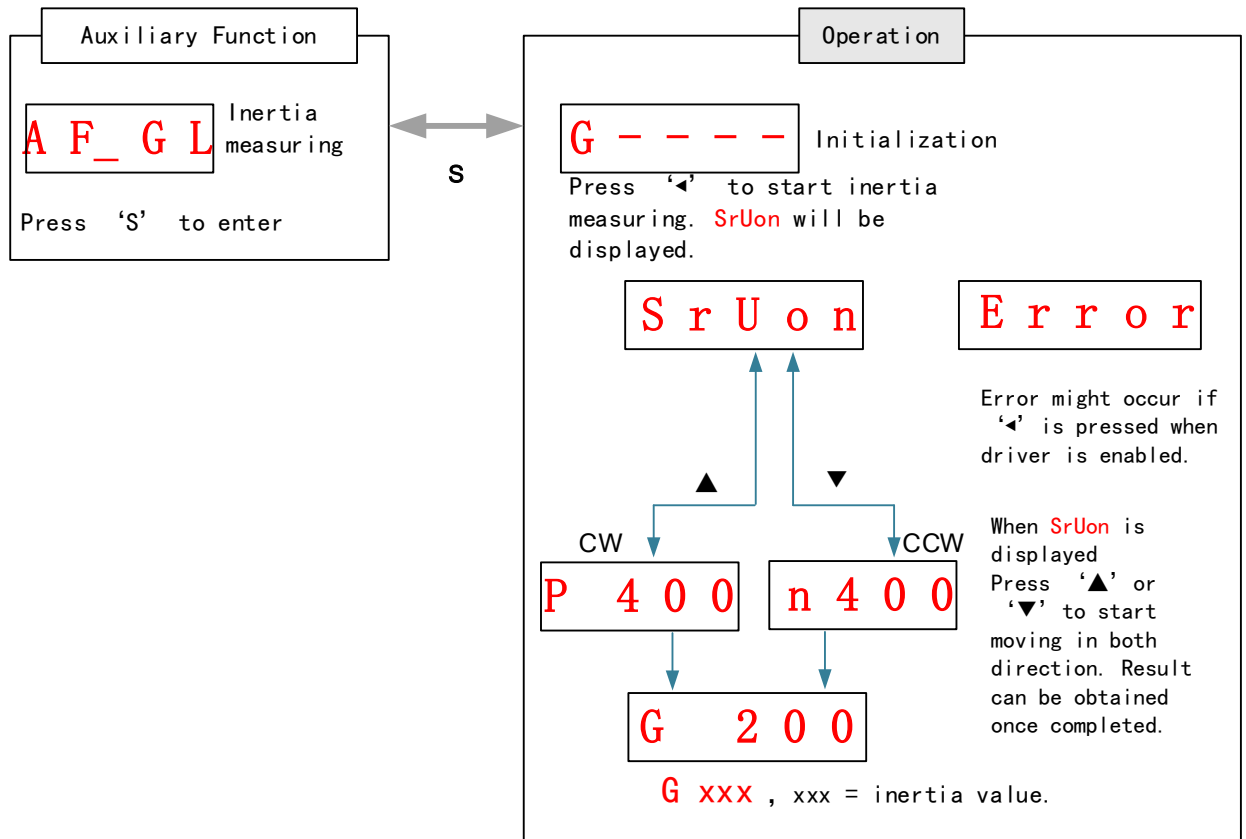
### 6.2.2 Offline inertia determination

Can be achieved through driver front panel or on Motion Studio.

Please make sure:

1. Servo driver is disabled.
2. Axis is within safe and allowed range and limit switch is not triggered prevent axis from over travelling.

### 6.2.3 Auxiliary function to determine inertia on front panel

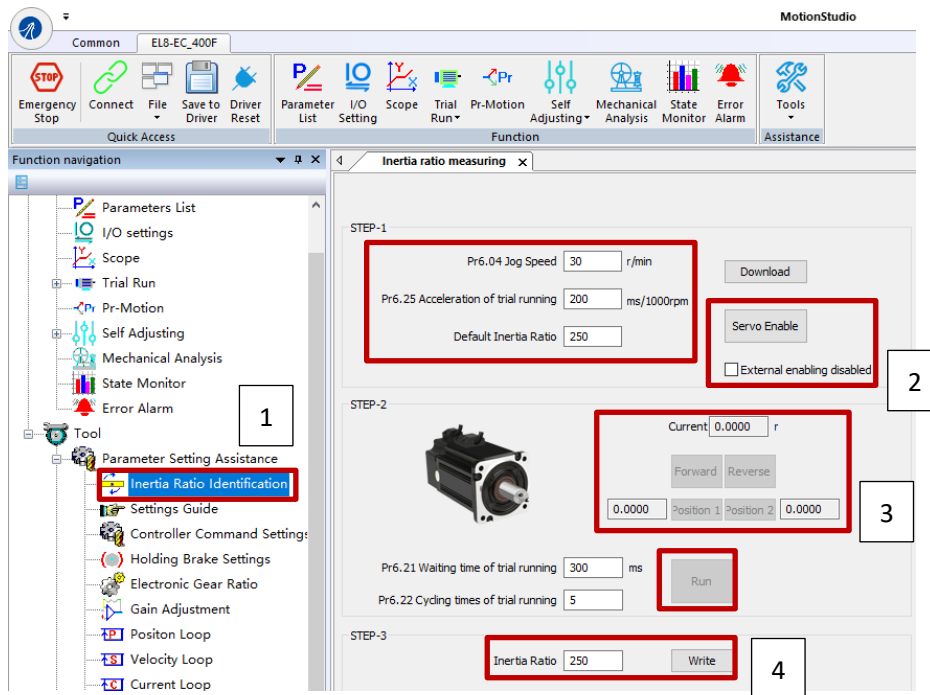


**Steps:**

- 1、 Set the trial run velocity **Pr6.04**. Value set shouldn't be too large, please keep it at around **400 r/min**.
- 2、 Enter **AF\_GL** for auxiliary function – Inertia ratio determination into front panel
- 3、 Press **S** once to enter. "**G----**" will be displayed on the front panel.
- 4、 Press **◀** once to display "**SrUon**"
- 5、 Press **▲** or **▼** once to start to calculate the inertia.
- 6、 After the calculation is done, **G xxx** will be displayed and **xxx** is the value of inertia calculated.
- 7、 Write the corresponding value into **Pr0.04**. Please refer to for parameter saving on servo driver.

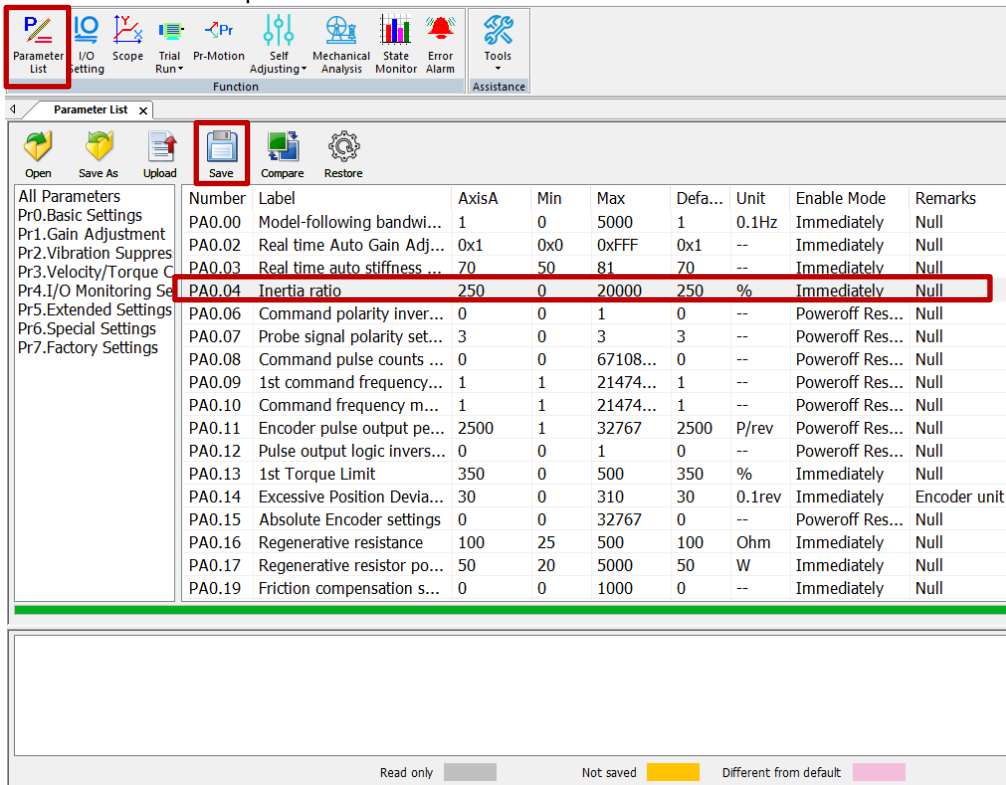
## 6.2.4 Inertia measuring using Motion Studio

1. Start Motion Studio and maneuver to inertia ratio identification page under performance tuning. Set trial run velocity Pr6.04 and acc-/deceleration time Pr6.25, click on 'Upload' to upload parameters to servo driver.
2. Tick "Prohibit external enabling" and click on "servo on".
3. Click and hold "CCW" to start the motor. Current position will show motor cycles of revolution. Click on POS 1 to save current position as starting point. Click and hold "CW" to start the motor again. Click on POS 2 to save current position as ending point.
4. Set the waiting time between each cycle in Pr6.21 and no. of cycles in Pr6.22. Click on 'Run' and motor will run according to the parameters set.



5. After the calculation is done, inertia ratio will be calculated automatically and click on 'write' to enter the calculated value into Pr0.04.

6. Click on “Parameter List” to enter parameters management to check or modify Pr0.04. Then, click on “Save” to save parameters to driver.



Please take note:

1. Trial run velocity and distance should be optimal to prevent any axis from bumping into objects.
2. It is recommended to move only in 1 direction for vertically mounted axis. Take precaution before moving the axis.
3. For applications with higher frictional drag, please set a minimal travel distance.

Pr0.04	Name	Inertia ratio			Mode						F
	Range	0~20000	Unit	%	Default	250	Index			2004h	
	Activation	Immediate									

$$\text{Pr0.04} = (\text{load inertia} / \text{motor rotational inertia}) \times 100\%$$

**Notice:**

Set inertia ratio according to actual load inertia. When both are uniform, actual motor velocity loop responsiveness and gain settings will be consistent. If inertia ratio is greater than actual value, velocity loop gain settings will be higher and vice versa.

## 6.3 Auto gain adjustment

This function will measure real time mechanical properties and set gain values in accordance to mechanical stiffness. Can be used in any control mode

Conditions to implement	
Control mode	Please refer to Pr0.02 for detailed explanations. Auto gain adjustment is different for each control mode.
Other	<ul style="list-style-type: none"> <li>· Servo driver needs to be enabled</li> <li>· Set up input signals such as deviation counter clearing and command input; Torque limit and other motion control parameters to enable motor to move normally without obstacles.</li> </ul>

Under certain conditions, external factors might affect automatic gain adjustment functions. If the conditions as listed exist or unfavorable, please disable the automatic gain adjustment function.

Affecting conditions	
Load inertia	<ul style="list-style-type: none"> <li>· If inertia is less than 3 times or over 20 times of rotor inertia.</li> <li>· Changes in load inertia</li> </ul>
Load	<ul style="list-style-type: none"> <li>· Very low mechanical stiffness</li> <li>· If gear backlash is a non-linear property</li> </ul>
Motion	<ul style="list-style-type: none"> <li>· Velocity less than 100r/min or continuously in low velocity mode</li> <li>· Acc-/deceleration to 2000r/min within 1s. ◦</li> <li>· Acc-/deceleration torque lower than eccentric load, frictional torque.</li> <li>· Velocity &lt; 100r/min, acc-/deceleration to 2000r/min within 1s but not longer than 50ms</li> </ul>

To enable automatic gain adjustment:

1. Disable the servo driver.
2. Set Pr0.02 = 0x01/0x11 or 0x02/0x12. Then, set Pr0.03
3. Servo enabled. Run motion as normal to start measuring load properties.

Related parameters will be automatically set.

4. Increase motor responsiveness by increasing Pr0.03. Please check if there is any vibration before setting Pr0.03 to max. value.
5. Save the parameters.

*Please take note:*

- Please stop the motor before modifying any parameter. Pr0.02 only takes effect after saving modified parameter values into EEPROM and restarting the driver.
- After enabling the servo driver for the first time or when increasing Pr0.03,

*mechanical noise or vibration might occur for the first run, it is normal. If it persists, please set Pr0.03 to lower value.*

#### Parameters that change in accordance to real time gain adjustment

No.	Parameters	Label	Remarks
1	Pr1.00	1 <sup>st</sup> position loop gain	When stiffness setting is valid, parameters will be updated to match stiffness value
2	Pr1.01	1 <sup>st</sup> velocity loop gain	
3	Pr1.02	1 <sup>st</sup> velocity integral time constant	
4	Pr1.03	1 <sup>st</sup> velocity detection filter	
5	Pr1.04	1 <sup>st</sup> torque filter	
6	Pr1.05	2 <sup>nd</sup> position loop gain	
7	Pr1.06	2 <sup>nd</sup> velocity loop gain	
8	Pr1.07	2 <sup>nd</sup> velocity integral time constant	
9	Pr1.08	2 <sup>nd</sup> velocity detection filter	
10	Pr1.09	2 <sup>nd</sup> torque filter	

If auto gain adjustment is valid, the parameters listed above can't be manually modified. Only when Pr0.02 = 0x00 or 0x10, can the gain related parameters be modified manually.

#### Gain related parameters that don't change with the real time gain adjustment

No.	Parameter	Label
1	Pr1.10	Velocity feedforward gain constant
2	Pr1.11	Velocity feedforward filter time constant
3	Pr1.12	Torque feedforward gain
4	Pr1.13	Torque feedforward filter time constant
5	Pr1.15	Position control gain switching mode
6	Pr1.17	Position control switching level
7	Pr1.18	Position control switching hysteresis
18	Pr1.19	Position gain switching time

<b>Pr0.02</b>	Name	Real time Auto Gain Adjusting			Valid Mode						F
	Range	0x0~0xFF F	Unit	—	Default	0x001	Index			2002h	
	Activation	Immediate									
Set up the mode of the real time auto gain adjusting.											
	Data bits	Category	Settings	Application							
	0x00_	Motion setting mode		Used to set motion setting mode, which can be selected according to the motion characteristics or setting requirements. Generally, it is recommended to select mode 1 with good generality when there is no special requirement, mode 2 when rapid positioning is needed. If mode 1 and mode 2 cannot meet the requirements, please choose mode 0.							

			0:Manual	Pr0.03 invalid. Gain value must be adjusted manually and accordingly.
			1:Standard	Pr0.03 valid. Quick gain adjusting can be achieved by changing Pr0.03 stiffness value. Gain switching is not used in this mode, suitable for applications with requirements for stability.
			2:Positioning	Pr0.03 valid. Quick gain adjusting can be achieved by changing Pr0.03 stiffness value. This mode is suitable for applications requiring quick positioning. Not recommended for load mounted vertical to ground, or please compensate for the load using Pr6.07
0x0_0	Load type setting	Used to select the load type, choose according to load-inertia ratio and mechanical structure.		
		0: Rigid structure	This mode prioritizes system responsiveness. Use this mode when there is a relatively rigid structure with low load inertia. Typical application including directly connected high-precision gearbox, lead screw, gears, etc.	
		1:High inertia	For applications with higher load inertia (10 times or above), gain settings take into account both machine stability and responsiveness. Not recommended to set stiffness above 15 for high load inertia.	
		2: Flexible structure	This mode prioritizes system stability. Use this mode when there is low rigidity structure with high load inertia. Typical applications included belts and chains.	
0x_00	reserved			

The setting type combination is a hexadecimal standard, as follows:

Setting type combination	Application type
0X000	Rigid structure Manual
0X001	Rigid structure +Standard
0X002	Rigid structure +Positioning
0X010	High inertia + Manual
0X011	High inertia + Standard
0X012	High inertia + Positioning
0X020	Flexible structure + Manual
0X021	Flexible structure +Standard
0X022	Flexible structure +Positioning

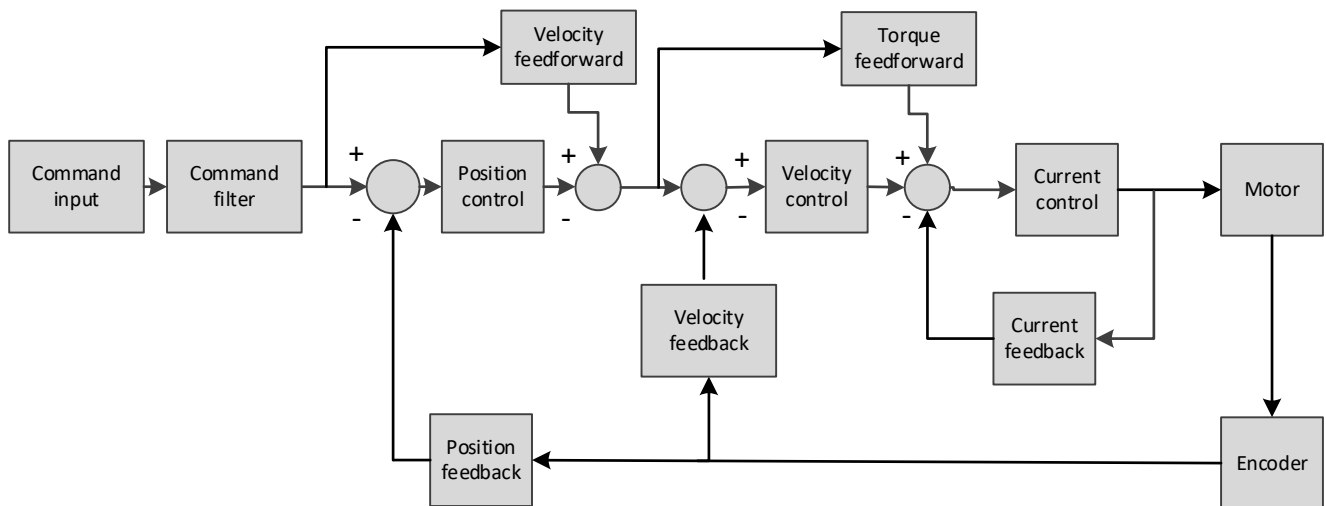
<b>Pr0.03</b>	Name	Real time auto stiffness adjusting			Mode							<b>F</b>
	Range	50 ~ 81	Unit	—	Default	70	Index			2003h		



Activation	Immediate
Valid when Pr0.03 = 1,2	
Low ———▶ Mechanical stiffness ———▶ High Low ———▶ Servo gain ———▶ High	
<div style="border: 1px solid black; padding: 5px; display: inline-block;">                         81.80.....70.69.68.....51.50                     </div>	
Low ———▶ Responsiveness ———▶ High	
Lower values ensure better system responsiveness and mechanical stiffness but machine vibration might occur, please set accordingly.	

## 6.4 Manual gain adjustment

Due to limitation of load conditions, automatic gain adjustment might not achieve expected performance. Control can be improved through manual gain adjustment. The servo system is made up of 3 control loops. From outer to inner: position loop, velocity loop, current loop as shown in the diagram below.



Inner control loop demands higher responsiveness. In order to avoid system instability, please tune in accordance to this principle. Current loop gain usually satisfies the responsiveness demand without tuning. When gain adjustment is done under position control mode, in order to keep the system stable, position and velocity loop gain have to be increased at the same time to make sure the responsiveness of the position loop is lower than velocity loop.

### Steps to tuning (Position and velocity control)

For servo gain, if any one of the parameters is changed, please modify other gain related parameters accordingly. Make sure to the change at around 5% and follow the rules as below.

- 1) Increase responsiveness
  - a) Reduce torque command filter time
  - b) Increase velocity loop gain
  - c) Decrease velocity loop integral time
  - d) Increase position loop gain
- 2) Decrease responsiveness, prevent vibration and over shoot
  - a) Reduce position loop gain
  - b) Increase velocity loop integral time
  - c) Reduce velocity loop gain
  - d) Increase torque filter time

Pr1.00	Name	1 <sup>st</sup> position loop gain			Mode	PP		HM	CS		
	Range	0~3000 0	Unit	0.1/s	Default	320	Index			2100h	
	Activation	Immediate									
<p>Higher position loop gain value improves the responsiveness of the servo driver and lessens the positioning time.</p> <p>Position loop gain value shouldn't exceed responsiveness of the mechanical system and take in consideration velocity loop gain, if not it might cause vibration, mechanical noise and overtravel. As velocity loop gain is based on position loop gain, please set both values accordingly.</p> <p>Recommended range: <math>1.2 \leq \text{Pr1.00}/\text{Pr1.01} \leq 1.8</math></p>											
Pr1.02	Name	1 <sup>st</sup> Integral Time Constant of Velocity Loop			Mode						F
	Range	1~10000	Unit	0.1ms	Default	310	Index			2102h	
	Activation	Immediate									
<p>If auto gain adjusting function is not enabled, Pr1.02 is activated.</p> <p>The lower the set value, the closer the lag error at stop to 0 but might cause vibration. If the value set is overly large, overshoot, delay of positioning time duration and lowered responsiveness might occur.</p> <p>Set 10000 to deactivate Pr1.02.</p> <p>Recommended range: <math>50000 \leq \text{PA1.01} \times \text{PA1.02} \leq 150000</math></p> <p>For example: Velocity loop gain Pr1.01=500(0.1Hz), which is 50Hz. Integral time constant of velocity loop should be <math>100(0.1\text{ms}) \leq \text{Pr1.02} \leq 300(0.1\text{ms})</math></p>											
Pr1.04	Name	1 <sup>st</sup> Torque Filter Time Constant			Mode						F
	Range	0~250 0	Unit	0.01ms	Default	126	Index			2104h	

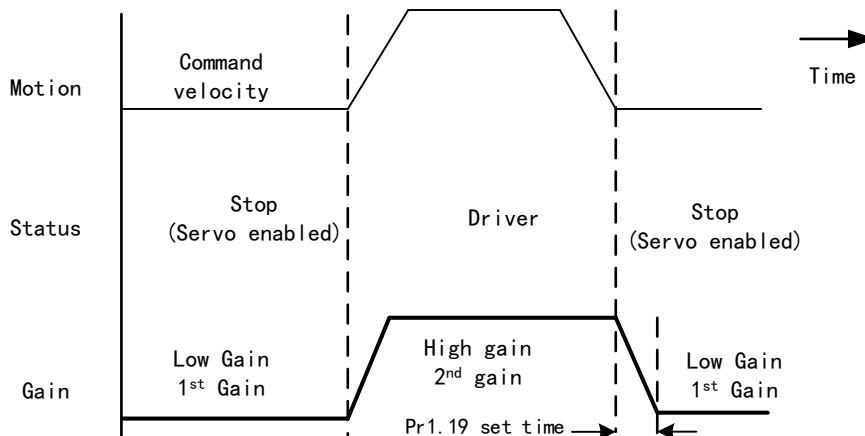
Activation	Immediate
<p>To set torque command low-pass filter, add a filter delay time constant to torque command and filter out the high frequencies in the command.</p> <p>Often used to reduce or eliminate some noise or vibration during motor operation, but it will reduce the responsiveness of current loop, resulting in undermining velocity loop and position loop control. Pr1.04 needs to match velocity loop gain.</p> <p>Recommended range: <math>1,000,000/(2\pi \times \text{Pr1.04}) \geq \text{Pr1.01} \times 4</math></p> <p>For example: Velocity loop gain Pr1.01=180(0.1Hz) which is 18Hz. Time constant of torque filter should be <math>\text{Pr1.01} \leq 221(0.01\text{ms})</math></p> <p>If mechanical vibration is due to servo driver, adjusting Pr1.04 might eliminate the vibration. The smaller the value, the better the responsiveness but also subjected to machine conditions. If the value is too large, it might lower the responsiveness of current loop.</p> <p>With higher Pr1.01 value settings and no resonance, reduce Pr1.04 value;</p> <p>With lower Pr1.01 value settings, increase Pr1.04 value to lower motor noise.</p>	

## 6.5 Gain switching

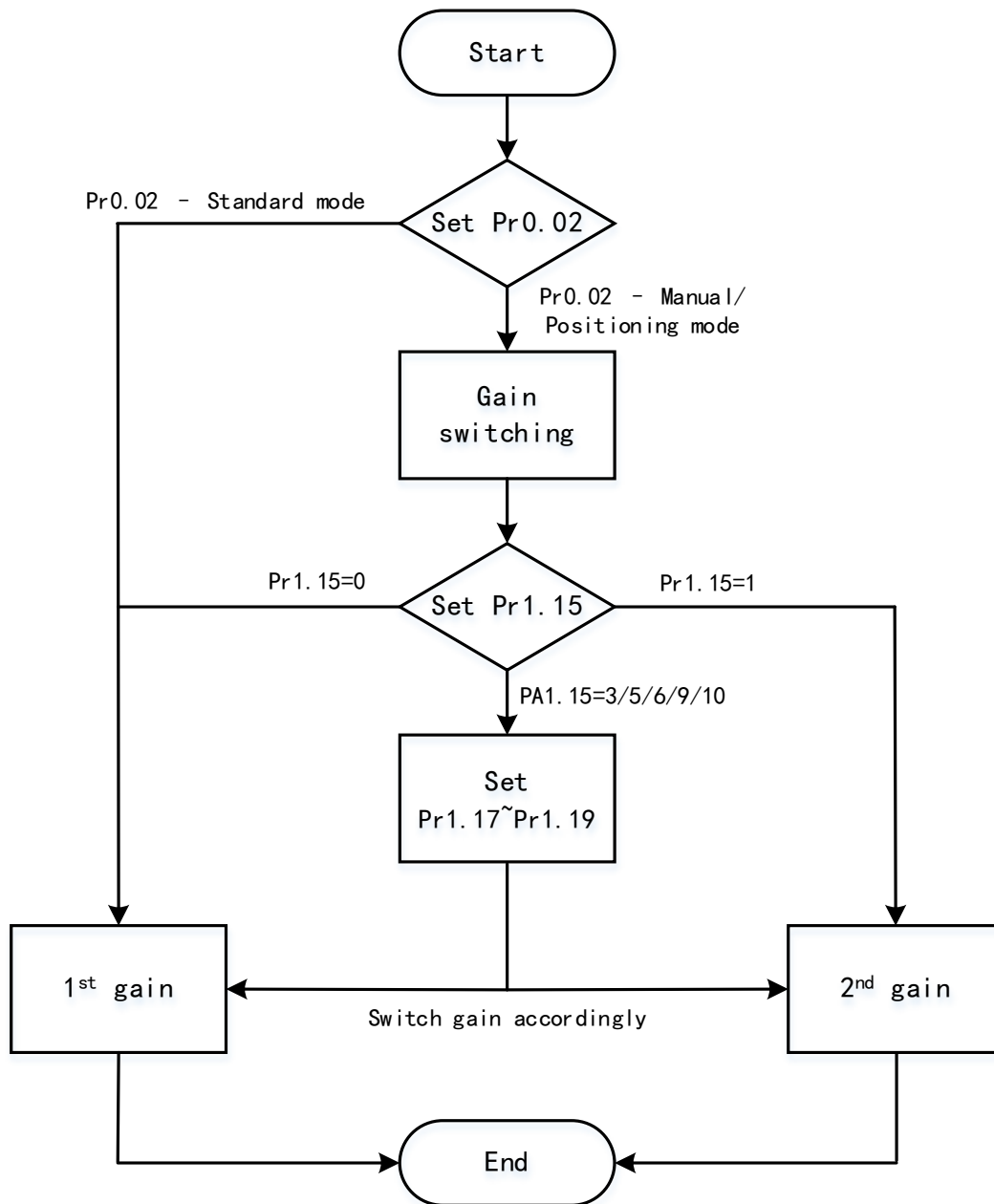
Gain switching function can be triggered internally in servo driver. Only valid under position or velocity control mode. Following effects can be realized by gain switching:

1. Switch to lower gain when motor stops to suppress vibration
2. Switch to higher gain when motor is moving at a low velocity to shorten positioning time
3. Switch to higher gain when motor is moving at a high velocity to improve command following behavior.

Diagram below shows gain switching when motor stops.



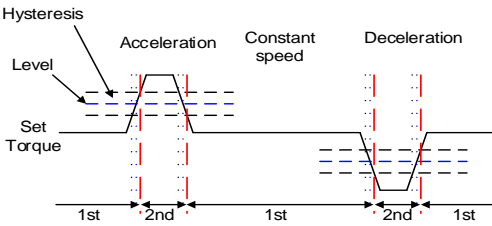
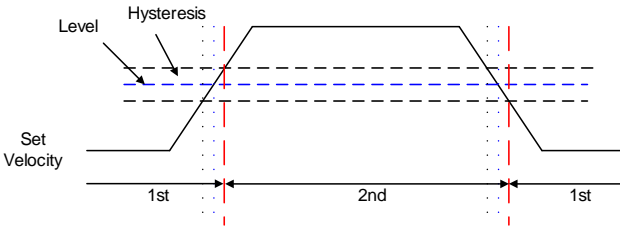
1<sup>st</sup> gain (Pr1.00-Pr1.04) and 2<sup>nd</sup> gain (Pr1.05-Pr1.09) switching can be realized through manual and positioning mode. Switching condition is set through Pr1.15. Gain switching is invalid under standard mode.

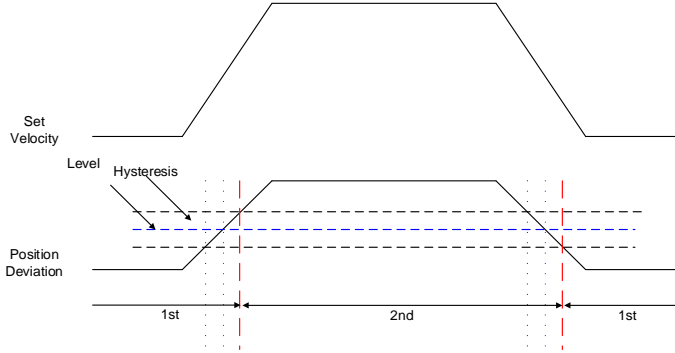
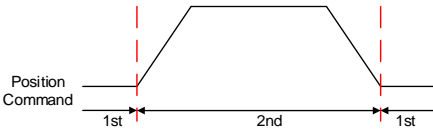
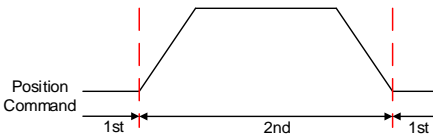


#### Related parameters on gain switching

No.	Parameter	Label	Remarks
1	Pr1.15	Position control gain switching mode	In position control, set PA1.15=3、5、6、9、10。 In velocity control, set PA1.15=3、5、9
2	Pr1.17	Position control level switching	Please set PA1.17 ≥ PA1.18
3	Pr1.18	Position control	If PA1.17 < PA1.18, driver will set PA1.17

		hysteresis switching	= PA1.18
4	Pr1.19	Position gain time switching	

<b>Pr1.15</b>	Label	Position control gain switching mode			Mode						<b>F</b>
	Range	0~11	Unit	—	Default	0	Index			2115h	
	Activation	Immediate									
	<b>Set Value</b>	<b>Condition</b>	<b>Gain switching condition</b>								
	0	1 <sup>st</sup> gain fixed	Fixed on using 1 <sup>st</sup> gain(Pr1.00-Pr1.04)								
	1	2 <sup>nd</sup> gain fixed	Fixed on using 2 <sup>nd</sup> gain (Pr1.05-Pr1.09)								
	2	Reserved									
	3	High set torque	<p>Switch to 2<sup>nd</sup> gain when set torque command absolute value larger than (level + hysteresis)[%]                      Switch to 1<sup>st</sup> gain when set torque command absolute value smaller than (level + hysteresis)[%]</p> 								
	4	Reserved	Reserved								
	5	High set velocity	 <p>Valid for position and velocity control.                      Switch to 2<sup>nd</sup> gain when set velocity command absolute value larger than (level + hysteresis)[r/min]                      Switch to 1<sup>st</sup> gain when set velocity command absolute value smaller than (level-hysteresis)[r/min]</p>								

6	Large position deviation	<p>Valid for position control.            Switch to 2<sup>nd</sup> gain when position deviation absolute value larger than (level + hysteresis)[pulse]            Switch to 1<sup>st</sup> gain when position deviation absolute value smaller than (level-hysteresis)[pulse]</p> 
7	Pending position command	<p>Valid for position control.            Switch to 2<sup>nd</sup> gain if position command <math>\neq 0</math>            Switch to 1<sup>st</sup> gain if position command remains = 0 throughout the duration of delay time.</p> 
8	Not yet in position	<p>Valid for position control.            Switch to 2<sup>nd</sup> gain if position command is not completed.            Switch to 1<sup>st</sup> gain if position command remains uncompleted throughout the duration of delay time.</p> 
9	High actual velocity	<p>Valid for position control.            Switch to 2<sup>nd</sup> gain when actual velocity absolute value larger than (level + hysteresis)[r/min]            Switch to 1<sup>st</sup> gain when actual velocity absolute value remains smaller throughout the duration of delay time than (level-hysteresis)[r/min]</p>

10	Pending position command + actual velocity	<p>Valid for position control.                  Switch to 2<sup>nd</sup> gain if position command <math>\neq 0</math>                  Switch to 1<sup>st</sup> gain if positional command = 0 throughout the duration of delay time and absolute value of actual velocity remains smaller than (level - hysteresis) (r/min)</p>

For position control mode, set Pr1.15=3,5,6,9,10;  
 For velocity control mode, set Pr1.15=3,5,9;

**\*\* Above 'level' and 'hysteresis' are in correspondence to Pr1.17 Position control gain switching level and Pr1.18 Hysteresis at position control switching.**

<b>Pr1.17</b>	Label	Position control gain switching level			Mode						<b>F</b>
	Range	0~2000 0	Unit	Mode dependent	Default	50	Index			2117h	
	Activation	Immediate									

Set threshold value for gain switching to occur.  
 Unit is mode dependent.

Switching condition	Unit
Position	Encoder pulse count
Velocity	RPM
Torque	%

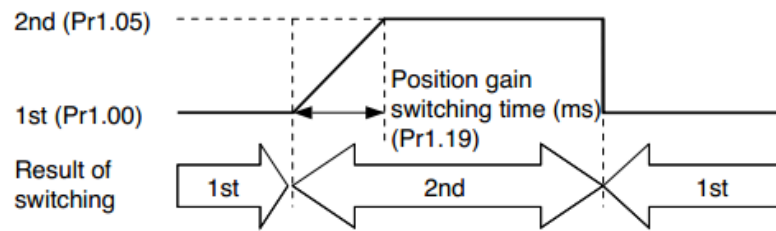
*Please set level  $\geq$  hysteresis*

<b>Pr1.18</b>	Label	Hysteresis at position control switching			Mode						<b>F</b>
	Range	0~2000 0	Unit	Mode dependent	Default	33	Index			2118h	
	Activation	Immediate									

To eliminate the instability of gain switching. Used in combination with Pr1.17 using the same unit. If level < hysteresis, drive will set internally hysteresis = level.

<b>Pr1.19</b>	Label	Position gain switching time			Mode						<b>F</b>
	Range	0~10000	Unit	0.1ms	Default	33	Index		2119h		
	Activation	Immediate									

During position control, to ease torque changes and vibration due to rapid changes in position loop gain, set suitable Pr1.19 value  
 For example: 1st (pr1.00) <-> 2nd (Pr1.05)



## 6.6 Feedforward gain

In position control, velocity feedforward is calculated by comparing the velocity control command calculated internally and velocity command calculated from position feedback. Comparing to control only using feedbacks, this will reduce position deviation and increase responsiveness. Besides, by comparing the torque needed during motion from velocity control command in comparison with velocity feedback, torque feedback can be calculated to improve system responsiveness.

### 6.6.1 Velocity feedforward

Velocity feedforward can be used in position control mode. When the function is enabled, it can increase velocity responsiveness, reduce position deviation during constant velocity.

<b>Pr1.10</b>	Label	Velocity feed forward gain			Mode	<b>PP</b>		<b>HM</b>	<b>CS</b>	<b>P</b>		
	Range	0~1000	Unit	0.10%	Default	300	Index		2110h			
	Activation	Immediate										

Used for decreasing following error caused by low responsiveness of velocity loop. Might cause overshoot or increase in noise if set value is too high.

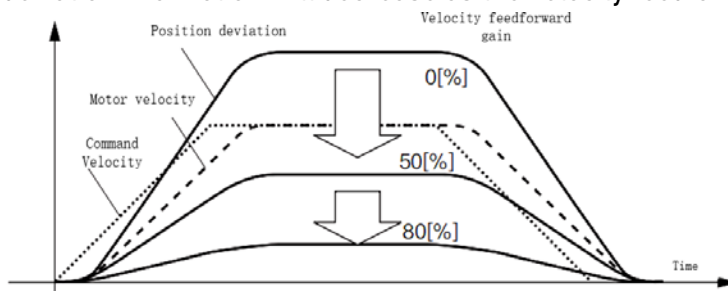
<b>Pr1.11</b>	Label	Velocity feed forward filter time constant			Mode	<b>PP</b>		<b>HM</b>	<b>CS</b>	<b>P</b>		
---------------	-------	--	--	--	------	-----------	--	-----------	-----------	----------	--	--



Range	0~6400	Unit	0.01ms	Default	50	Index	2111h
Activation	Immediate						
<p>Set velocity feed forward low pass filter to eliminate high or abnormal frequencies in velocity feed forward command. Often used when position command with low resolution or high electronic gear ratio to smoothen velocity feed forward.</p> <p>Position deviation under constant velocity can be lowered with higher velocity feed forward gain. Please to refer to the equation below.</p> $\text{Position deviation[Uint]} = \frac{\text{Set velocity}[\frac{\text{Uint}}{\text{s}}]}{\text{Position loop gain[Hz]}} \times \frac{100 - \text{Velocity feed forward gain}[\%]}{100}$							

## 6.6.2 Velocity feedforward application

Set Pr1.11 to around 50 (0.5ms), then tune Pr1.10 from 0 to bigger values until the velocity feedforward achieves better performance. Under constant velocity, the position deviation in a motion will decrease as the velocity feedforward gain increase.



### Steps to tuning:

1. Increase Pr1.10 to increase responsiveness but velocity overshoot might occur during acc-/deceleration.
2. By reducing Pr1.11, velocity feedforward would be more effective and vice versa. Pr1.10 and Pr1.11 need to be tuned to a balance.
3. If mechanical noise exists under normal working conditions, please increase Pr1.11 or use position command filter (1 time delay/ FIR smoothing filter)

## 6.6.3 Torque feedforward

Position control mode:

Torque feedforward can increase the responsiveness of torque command, decrease position deviation during constant acc-/deceleration.

Velocity control mode:

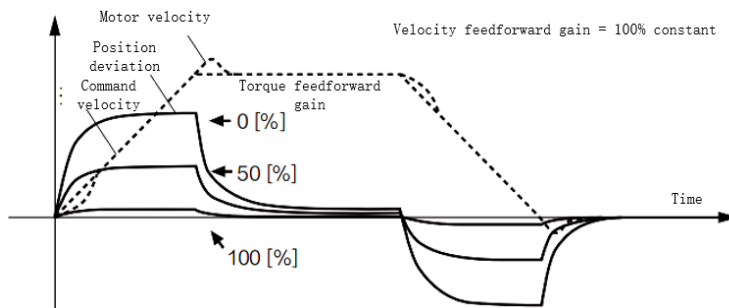
Torque feedforward can increase the responsiveness of torque command, decrease velocity deviation during constant velocity.

Pr1.12	Label	Torque feed forward gain	Mode	PP	PV	HM	CS P	CS V		
--------	-------	--------------------------	------	----	----	----	---------	---------	--	--

	Range	0~1000	Unit	0.1%	Default	0	Index	2112h		
	Activation	Immediate								
Before using torque feed forward, please set correct inertia ratio. By increasing torque feed forward gain, position deviation on constant acceleration/deceleration can be reduced to close to 0. Under ideal condition and trapezoidal speed profile, position deviation of the whole motion can be reduced to close to 0. In reality, perturbation torque will always exist, hence position deviation can never be 0.										
Pr1.13	Label	Torque feed forward filter time constant			Mode	PP	PV	HM	CS P	CS V
	Range	0~6400	Unit	0.01ms	Default	0	Index	2113h		
	Activation	Immediate								
Low pass filter to eliminate abnormal or high frequencies in torque feed forward command. Usually used when encoder has lower resolution or precision. Noise reduces if torque feed forward filter time constant is set higher but position deviation will increase at acceleration varied points.										

### 6.6.4 Torque feedforward application

Set Pr1.13 to around 50 (0.5ms), then tune Pr1.10 from 0 to bigger values until torque feedforward achieves better performance. Under constant acc-/deceleration, the position deviation in a motion will decrease as the velocity feedforward gain increase.



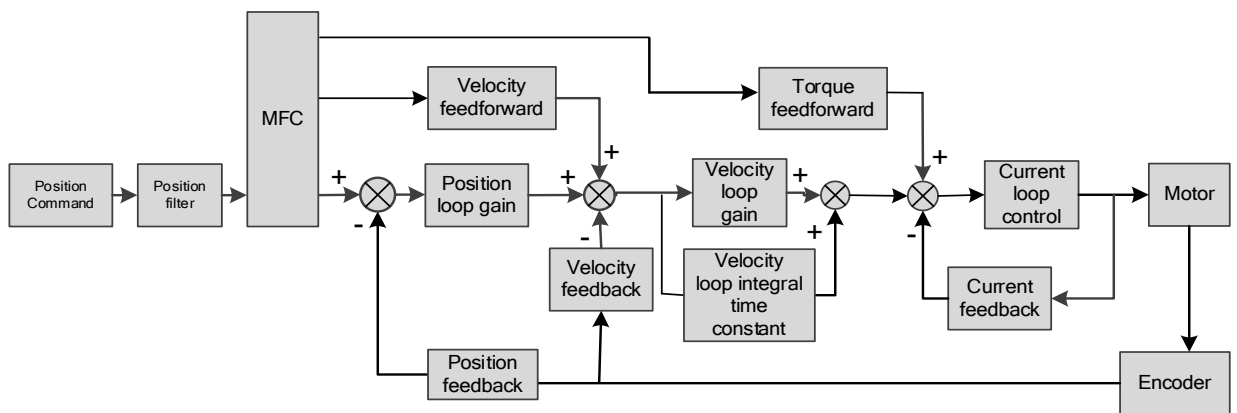
#### Steps to tuning:

2. Increase Pr1.12 to increase responsiveness but velocity overshoot might occur during acc-/deceleration.
3. By reducing Pr1.13, torque feedforward would be more effective and vice versa. Pr1.12 and Pr1.13 need to be tuned to a balance and reduce noise.

## 6.7 Model following control

Model following control is a type of closed loop control system. First, an ideal model is constructed and acts as a reference for actual model in a closed loop control. Model following control can be treated as a control mode with 2 flexibilities: Reference model can be used to improve command responsiveness and closed loop control used to increase responsiveness of the system towards interference. They don't affect each other.

Model following control can be used in position loop control to increase responsiveness to commands, reduce positioning time and following error. This function is only available in position control mode.



### To adjust model following control

1. Automatic adjustment  
Set model following bandwidth Pr0.00 = 1 for automatic adjustment. Now, Pr0.00 = Pr1.01, model following bandwidth is adjusted automatically according to different velocity loop gain.
2. Manual adjustment  
Please used manual adjustment if
  - Automatic adjustment is not satisfactory.
  - Responsiveness needs further improvement in comparison with automatic adjustment.
  - There is a need to set servo gain or model following control parameters manually.

### Steps to manually adjust

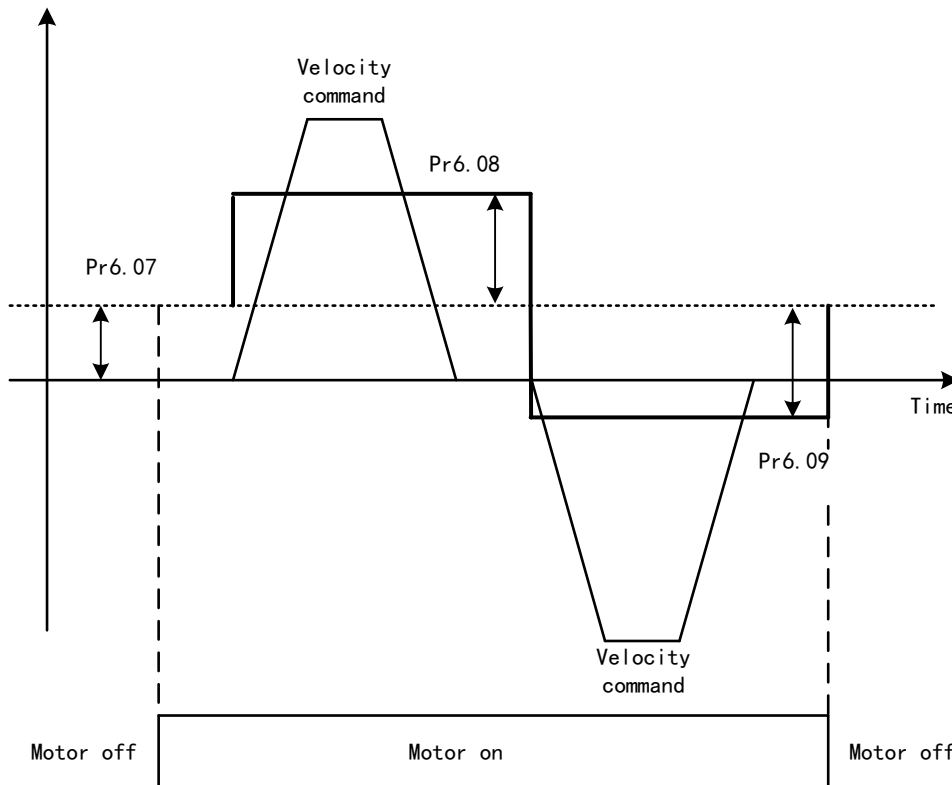
Step	Content
1	Set up vibration suppression.
2	Set up the right inertia ratio.

3	Manually adjust gain.
4	Increase Pr0.00 provided that there is no overshoot and vibration. Usually $Pr0.00 \geq Pr1.01$ is recommended.

Model following bandwidth determines the responsiveness of the servo system. Increase the value set will increase responsiveness and reduce positioning time. Overshoot can be prevented if it is set at a lower value but responsiveness will be lowered. Model following bandwidth shouldn't be too large for mechanical structure with lower stiffness, excessive position deviation alarm might occur under high velocity.

## 6.8 Friction compensation function

This function is to compensation for changes in load to reduce the effect of friction in motion. The compensation value is directional.



Vertically loaded axis: A constant eccentric load torque is applied on the motor. By adjusting Pr6.07, positioning deviation due to different motional direction can be reduced.  
 Belt-driven axis: Due to large radial load with dynamic frictional torque. Positioning time delay and deviation can be reduced by adjusting Pr6.08 and Pr6.09.

<b>Pr6.07</b>	Label	Torque command additional value			Mode						<b>F</b>
	Range	-100~100	Unit	%	Default	0	Index	2607h			
	Activation	Immediate									

	To set torque forward feed additional value of vertical axis. Applicable for loaded vertical axis, compensate constant torque. Application: When load move along vertical axis, pick any point from the whole motion and stop the load at that particular point with motor enabled but not rotating. Record output torque value from d04, use that value as torque command additional value (compensation value)										
Pr6.08	Label	Positive direction torque compensation value			Mode						F
	Range	-100~100	Unit	%	Default	0	Index		2608h		
	Activation	Immediate									
Pr6.09	Label	Negative direction torque compensation value			Mode						F
	Range	-100~100	Unit	%	Default	0	Index		2609h		
	Activation	Immediate									
	To reduce the effect of mechanical friction in the movement(s) of the axis. Compensation values can be set according to needs for both rotational directions.  Applications: 1. When motor is at constant speed, d04 will deliver torque values. Torque value in positive direction = T1; Torque value in negative direction = T2  $\text{Pr6.08/Pr6.09} = T_f = \frac{ T1 - T2 }{2}$										

## 6.9 Parameters adjustment under different control modes

Under different control mode, parameters adjustment has to be adjusted in this order:  
 “Inertia measuring” -> “Auto gain adjustment”->” Manual gain adjustments”

### 6.9.1 Position control mode

Set load-inertia ratio Pr0.04 after inertia determination.

No.	Parameter	Label
1	Pr1.00	1 <sup>st</sup> position loop gain
2	Pr1.01	1 <sup>st</sup> velocity loop gain
3	Pr1.02	1 <sup>st</sup> velocity integral time constant
4	Pr1.03	1 <sup>st</sup> velocity detection filter
5	Pr1.04	1 <sup>st</sup> torque filter time constant
6	Pr1.05	2 <sup>nd</sup> position loop gain

7	Pr1.06	2 <sup>nd</sup> velocity loop gain
8	Pr1.07	2 <sup>nd</sup> velocity integral time constant
9	Pr1.08	2 <sup>nd</sup> velocity detection filter
10	Pr1.09	2 <sup>nd</sup> torque filter time constant
11	Pr1.10	Velocity feedforward gain constant
12	Pr1.11	Velocity feedforward filter time constant
13	Pr1.12	Torque feedforward gain
14	Pr1.13	Torque feedforward filter time constant
15	Pr1.15	Position control gain switching mode
16	Pr1.17	Position control switching level
17	Pr1.18	Position control switching hysteresis
18	Pr1.19	Position gain switching time

1<sup>st</sup> and 2<sup>nd</sup> gain initial values are obtained by automatic gain adjustment

No.	Parameter	Label
1	Pr1.00	1 <sup>st</sup> position loop gain
2	Pr1.01	1 <sup>st</sup> velocity loop gain
3	Pr1.02	1 <sup>st</sup> velocity integral time constant
4	Pr1.03	1 <sup>st</sup> velocity detection filter
5	Pr1.04	1 <sup>st</sup> torque filter time constant
6	Pr1.05	2 <sup>nd</sup> position loop gain
7	Pr1.06	2 <sup>nd</sup> velocity loop gain
8	Pr1.07	2 <sup>nd</sup> velocity integral time constant
9	Pr1.08	2 <sup>nd</sup> velocity detection filter
10	Pr1.09	2 <sup>nd</sup> torque filter time constant

Manually adjusted gain parameters

No.	Parameter	Label
1	Pr1.00	1 <sup>st</sup> position loop gain
2	Pr1.01	1 <sup>st</sup> velocity loop gain
3	Pr1.02	1 <sup>st</sup> velocity integral time constant
4	Pr1.04	1 <sup>st</sup> torque filter time constant
5	Pr1.10	Velocity feedforward gain constant
6	Pr1.11	Velocity feedforward filter time constant

## 6.9.2 Velocity control mode

Velocity control mode parameters adjustment is pretty similar to position control mode. Except for position loop gain Pr1.00 and Pr1.05, velocity feedforward gain (Pr1.10)

### 6.9.3 Torque control mode

Parameters adjustment for torque control mode has to be differentiate into 2 conditions:

1. When actual velocity reaches velocity limit, adjustment will be as per velocity control mode. Motor will switch from torque control to velocity limit as velocity control.
2. When actual velocity doesn't reach velocity limit yet, Except for position loop gain, velocity loop gain and feedforward gain, parameter adjustments as per velocity control mode.

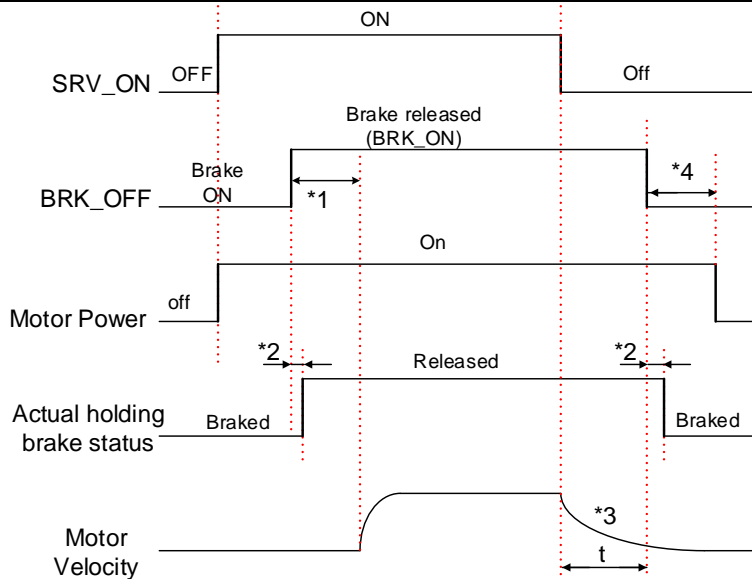
If there is no velocity limit and control is through torque command, please deactivate torque and notch filter, set velocity limit to max. value and increase velocity loop gain to as high as possible.

## 6.10 Safety Functions

### External brake deactivation output signal BRK-OFF

Please refer to Pr4.11 to set up the I/O output function parameters. When enabled and timing conditions are fulfilled, the set I/O output will deliver ON signal.

<b>Pr4.37</b>	Name	Motor power-off delay time			Mode						F
	Range	0~3000	Unit	1ms	Default	100	Index		2437h		
	Activation	Immediate									
To set delay time for holding brake to be activated after motor power off to prevent axis from sliding.											
<b>Pr4.38</b>	Name	Delay time for holding brake release			Mode						F
	Range	0~3000	Unit	1ms	Default	0	Index		2438h		
	Activation	Immediate									
To set delay time for holding brake to be released after motor power on. Motor will remain at current position and input command is masked to allow holding brake to be fully released before motor is set in motion.											



\*1: Delay time set in Pr4.38

\*2: Delay time from the moment BRK\_OFF signal is given until actual holding brake is released or BRK\_ON signal is given until actual holding brake is activated. It is dependent on the holding brake of the motor.

\*3: Deceleration time is determined by Pr6.14 or if motor speed goes below Pr4.39, whichever comes first. BRK\_OFF given after deceleration time.

\*4: Pr4.37 set time value.

*Delay time from the moment SRV\_ON is given until BRK\_OFF switch to BRK\_ON, is less than 500ms.*

<b>Pr4.39</b>	Name	Holding brake activation speed			Mode					F
	Range	30~3000	Unit	RPM	Default	30	Index	2439h		
	Activation	Immediate								

To set the activation speed for which holding brake will be activated.

When SRV-OFF signal is given, motor decelerates, after it reaches below Pr4.39 and Pr6.14 is not yet reached, BRK\_OFF is given.

BRK\_OFF signal is determined by Pr6.14 or if motor speed goes below Pr4.39, whichever comes first.

Application:

1. After disabling axis, Pr6.14 has been reached but motor speed is still above Pr4.39, BRK\_OFF signal given.

2. After disabling axis, Pr6.14 has not been reached but motor speed is below Pr4.39, BRK\_OFF signal given.



## 6.10.1 Emergency stop function

Emergency stop is used when an alarm occurs or a servo prohibition signal is received when servo driver is enabled.

Method 1: Set up Pr4.43 to enable the function

Pr4.43	Name	Emergency stop function			Mode													F								
	Range	0~1	Unit	-	Default	0	Index			2443h																
	Activation	Immediate																								
0: Emergency stop is valid, servo driver will be forced to STOP and alarm occurs. 1: Emergency stop is invalid, servo driver will not be forced to STOP.																										
Pr5.04	Name	Driver prohibition input settings			Mode														F							
	Range	0~2	Unit	—	Default	0	Index			2504h																
	Activation	Immediate																								
To set driver prohibition input (POT/NOT): If set to 1, no effect on homing mode.																										
<table border="1"> <thead> <tr> <th>Set value</th> <th>Explanation</th> </tr> </thead> <tbody> <tr> <td>0</td> <td>POT → Positive direction drive prohibited NOT → Negative direction drive prohibited</td> </tr> <tr> <td>1</td> <td>POT and NOT invalid</td> </tr> <tr> <td>2</td> <td>Any single sided input from POT or NOT might cause Er260</td> </tr> </tbody> </table>																			Set value	Explanation	0	POT → Positive direction drive prohibited NOT → Negative direction drive prohibited	1	POT and NOT invalid	2	Any single sided input from POT or NOT might cause Er260
Set value	Explanation																									
0	POT → Positive direction drive prohibited NOT → Negative direction drive prohibited																									
1	POT and NOT invalid																									
2	Any single sided input from POT or NOT might cause Er260																									
In homing mode, POT/NOT invalid, please set object dictionary 5012-04 bit0=1																										

Method 2: Using 605Ah object dictionary through master device to activate this function.

Pr5.11	Name	Servo braking torque setting			Mode														F
	Range	0~500	Unit	%	Default	0	Index			2511h									
	Activation	Immediate																	
To set torque limit for servo braking mode. If Pr5.11 = 0, use torque limit as under normal situation. Between max. torque 6072 and Pr5.11, actual torque limit will take smaller value.																			

## 6.11 Vibration Suppression

### 6.11.1 Mechanical resonance suppression

Mechanical system has certain resonance frequencies. When servo gain is increased, resonance might occur at around mechanical resonant frequencies, preventing gain value from increasing. In such situation, notch filter can be used to suppress resonance to set higher gains or lower vibration.

To suppress mechanical resonance:

1. Torque command filter time constant

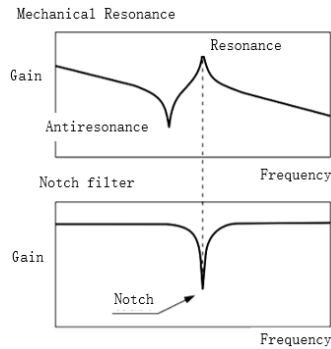
Set filter time constant to reduce gain at around resonant frequencies

Torque command filter blocked frequencies(Hz)  $f_c=1/[2\pi \times PA1.04(0.01ms) \times 0.00001]$

2. Notch filter

Notch filter suppress mechanical resonance by reducing gain at certain frequencies.

When notch filter is correctly set, resonance can be suppressed and servo gain can be increased.



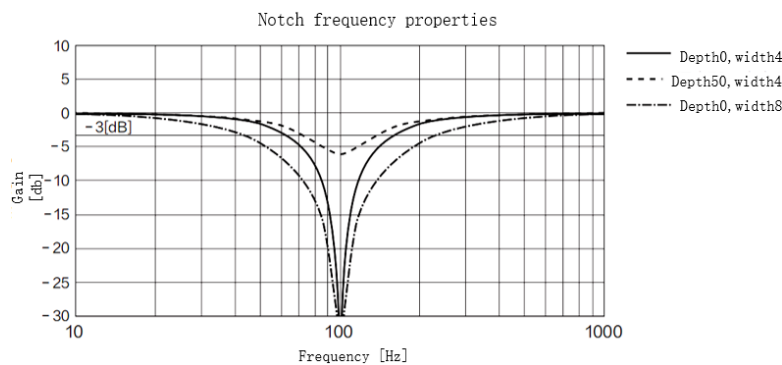
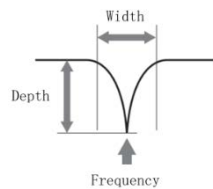
▪ Notch filter bandwidth

Center frequency of the notch filter, frequency bandwidth with reduction of -3dB.

▪ Notch filter depth

The ratio between input and output of center frequency.

When depth = 0, center frequency output is totally off and when depth = 100, Hence when notch filter depth is set at lower value, the depth is higher and better at suppressing mechanical resonance but it might cause system instability.



If the amplitude-frequency curve from mechanical properties analysis tool doesn't show any obvious peak but vibration did occur, it might not be due to mechanical resonance, it

may be that servo gain has reached its limit. This kind of vibration can't be suppressed by using notch filter, only by reducing gain and torque command filter time.

### To use notch filter

#### Automatic notch filter

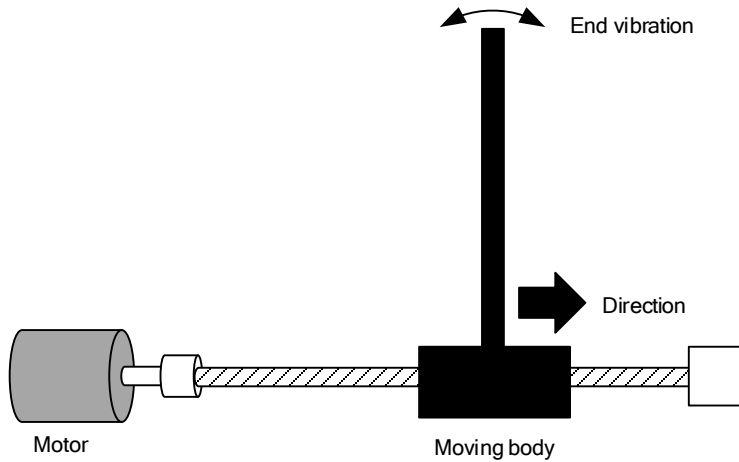
1. Set Pr2.00 = 1 for auto notch filter adjustment
2. If Pr0.03 stiffness increases, 3<sup>rd</sup> group of notch filter (Pr2.07/Pr2.08/Pr2.09) updates automatically when driver is enabled. Pr2.00 = 0, auto adjustments stop.  
If resonance is suppressed, it means self-adjusting notch filter is working. If resonance occurs when mechanical stiffness increases, please use manual notch filter, set filter frequency to actual resonant frequency.

#### Manual notch filter

There are 2 ways to use manual notch filter.

1. After enabling self-adjusting notch filter, set the values from 3<sup>rd</sup> group of filters to 1<sup>st</sup> group of notch filter (Pr2.01/Pr2.02/Pr2.03), see if resonance is suppressed. If there is other resonance, set Pr2.00 = 1, then set the values from 3<sup>rd</sup> group of filters to 2<sup>nd</sup> group of notch filter (Pr2.04/Pr2.05/Pr2.06)
2. Get resonant frequency, notch filter bandwidth and depth and set it into the corresponding parameters through Motion Studio.

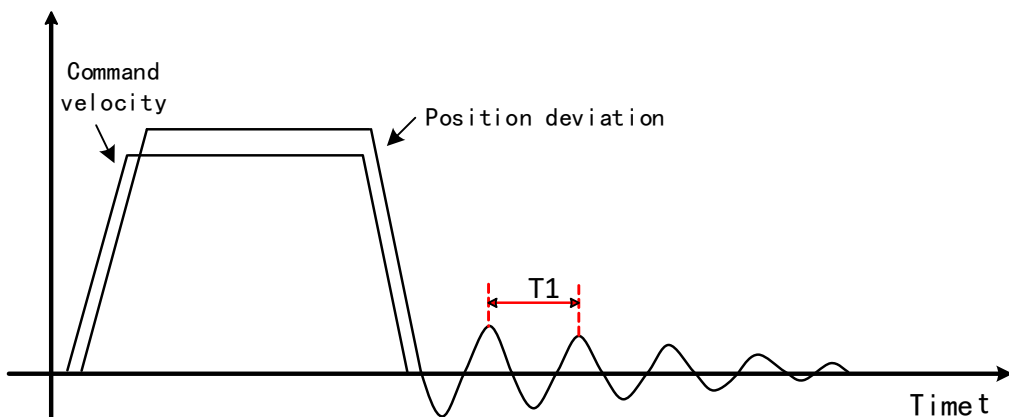
## 6.11.2 End vibration suppression



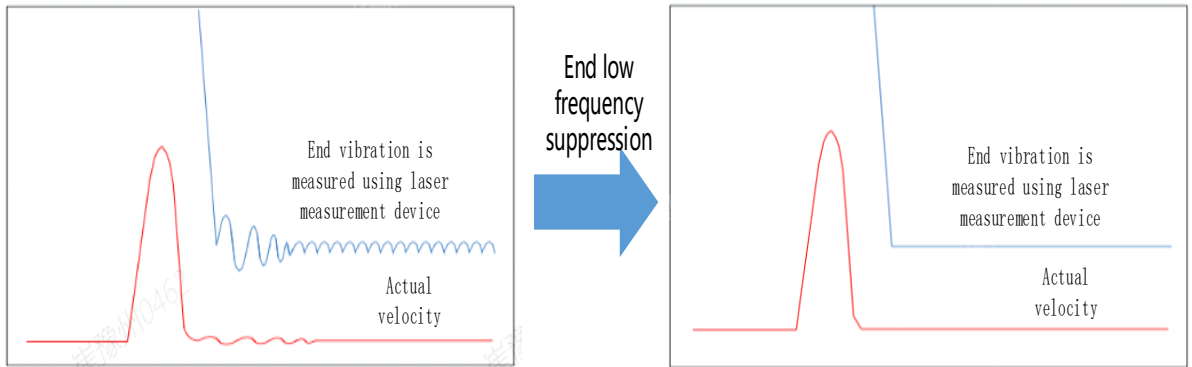
If the mechanical structure has an end that is long and heavy, it might cause end vibration at emergency stop and affect the positioning. Usually happens on long armed axis with loose end. The frequency is usually within 100Hz which is lower than mechanical resonant frequencies. It is called low-frequency resonance which can be prevented by applying low frequency suppression function.

### To apply low frequency suppression

1. Trace current/ position deviation waveform when motion stops.
2. Measure the vibration cycle T1 of current waveform.
3. Convert T1 into low frequency resonance by  $F1 = 1/T1$
4. Write F1 into Pr2.14
5. If some other low frequency resonance occurs, please repeat step 1-3 and write F2 into Pr2.16.



The result of suppressing low frequency resonance



### 6.11.3 Mechanical properties analysis

To determine mechanical and set up notch filter parameters to suppress vibration caused by resonance.

Design		Driver	
Notch filter 1			
Pr2.01 1st notch frequency	0	<<	4000
Pr2.02 1st notch bandwidth	0	<<	2
Pr2.03 1st notch depth selection	0	>>	0
Notch filter 2			
Pr2.04 2nd notch frequency	0	<<	4000
Pr2.05 2nd notch bandwidth	0	<<	2
Pr2.06 2nd notch depth selection	0	>>	0
Notch filter 5			
Pr2.31 5th resonant frequency	0	<<	4000
Pr2.32 5th resonant Q value	0	<<	0
Pr2.33 5th anti-resonant	0	>>	4000
Pr2.34 5th anti-resonant Q value	0	>>	0
Notch filter 6			
Pr2.35 6th resonant frequency	0	<<	4000
Pr2.36 6th resonant Q value	0	<<	0
Pr2.37 6th anti-resonant	0	>>	4000
Pr2.38 6th anti-resonant Q value	0	>>	0

To avoid strong vibration, please first set lower excitation amplitude. However, if the set value is too low, data waveform will include some degree of distortion.

If vibration occurs during tests which can't be reduce through lowering electrical current excitation, it might be due to excessive gain. Please lower velocity gain and set notch filter as accordance from the mechanical properties analysis. Or might be due to inertia settings (Pr0.04) is too large, please use optimal inertia ratio value.

## 6.12 Multiturn absolute encoder

Multiturn absolute encoder records the position and the revolution counts of the motor. When driver is powered-off, multiturn absolute encoder will backed up the data using battery and after powering on, the data will be used to calculated absolute mechanical position and there is no need for a mechanical homing process. Use widely in robotic arms and CNC machines.

If it is the first time using the encoder, please home the mechanical axis and initialize the absolute position of the encoder to zero. Set up a homing point and only home when there is an alarm. Please stop the axis before reading any position data to prevent inaccuracy.

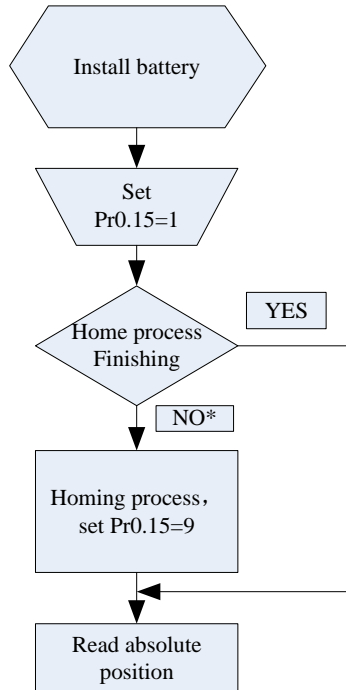
### 6.12.1 Parameters setting

Pr0.15	Name	Absolute Encoder settings			Mode	PP		HM	CS	
	Range	0~32767	Unit	-	Default	0	Index			2015h
	Activation	Immediate								
<p><b>0: Incremental mode:</b> Used as an incremental encoder. Doesn't retain position data on power off. Unlimited travel distance.</p> <p><b>1: Multiturn linear mode:</b> Used as a multiturn absolute encoder. Retrain position data on power off. For applications with fixed travel distance and no multiturn data overflow.</p> <p><b>2: Multiturn rotary mode:</b> Used as a multiturn absolute encoder. Retrain position data on power off. Actual data feedback in between 0-(Pr6.63). Unlimited travel distance.</p> <p><b>3: Single turn absolute mode:</b> Used when travel distance is within 1 revolution of the encoder. Data overflow will trigger alarm.</p> <p><b>5: Clear multiturn alarm and activate multiturn absolute function.</b> Will switch to multiturn mode once alarm cleared, if remains at 5 after 3s, please solve according to Er153.</p> <p><b>9: Clear multiturn position, reset multiturn alarm and activate multiturn absolute function.</b> Will switch to multiturn mode once alarm cleared, if remains at 9 after 3s, please solve according to Er153. Please disable axis before setting to 9 and home the axis before using.</p>										

### 6.12.2 Read absolute position

#### 1、Steps:

- 1) First, select a motor with multiturn absolute encoder, install battery and confirm whether the driver version supports the specific motor;
- 2) Set Pr0.15 = 1. If it is the first time of installation, Err153 will occur because battery is newly installed and position data is invalid. Please home the axis and initialize the absolute position of the encoder to zero.
- 3) When absolute homing point is set and there is no fault with the battery, the alarm will be cleared
- 4) Finally, the user can read the absolute position. Position won't be lost even if the driver is powered off.

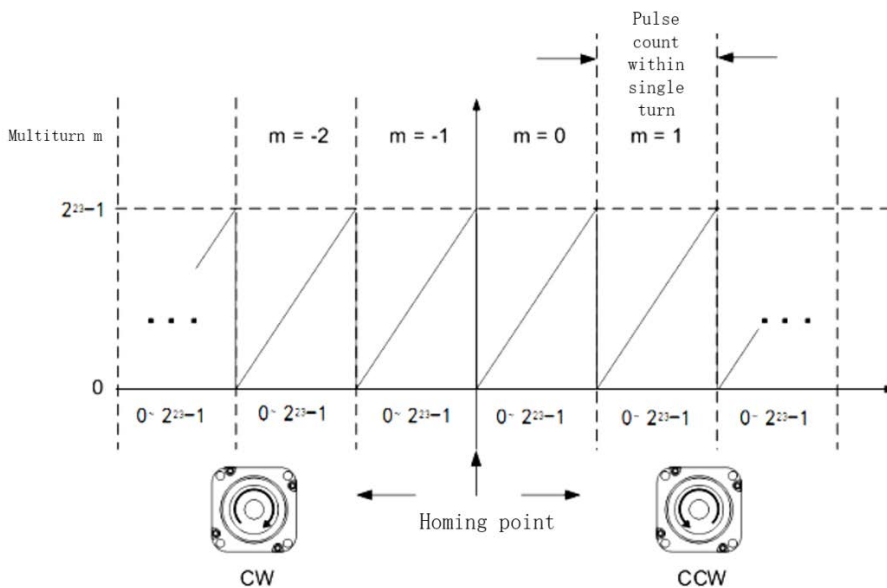


\*Note: The newly installed encoder is not initialized and will alarm

## 2、Read absolute position

When the rotor turns in clockwise direction, the revolution count will be negative; turns in counter clockwise direction, the count will be positive. No. of revolutions will be from -32767 to +32767. If the count number reaches +32767 in counter clockwise direction, the count will revert back to -32768, -32767 and vice versa for clockwise direction.

As for position data, it depends on the precision of the encoder. For 17 bit = 0-131071, 23 bit = 0-8388607

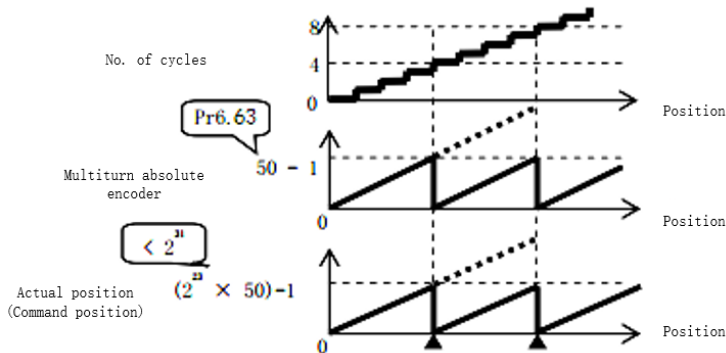


Read data from 6064h object dictionary

*Please read data only when the motor is fully stopped or it might cause calculation errors. Please repeat this step for at least twice to make sure the result is uniform.*

**Multiturn rotational mode**

For absolute encoder, multiturn rotational mode (Pr0.15 = 2, Pr6.63 set to multiturn upper limit) is added on top of incremental mode and multiturn linear mode. Actual feedback multiturn data is always between 0 - [Pr6.63 + 1], regardless of the direction of rotation. There is no limit to no. of rotation and no data overflow.



**Single turn absolute mode**

Use this mode when the travel distance of the axis is within a single turn of the rotor.

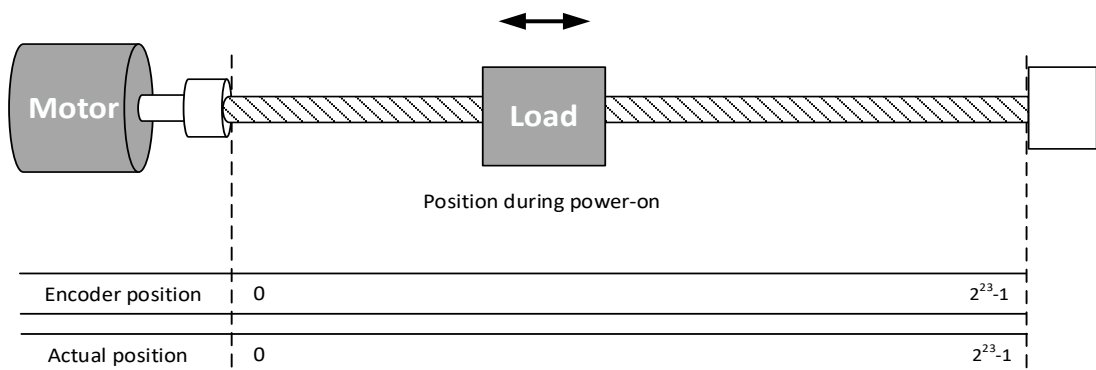
1. Target position input range - EtherCAT

When using 23-bit absolute encoder, under single turn absolute mode, electronic gear ratio = 1:1

Homing point offset 607Ch = 0, target position range = 0 - [2<sup>23</sup>-1]

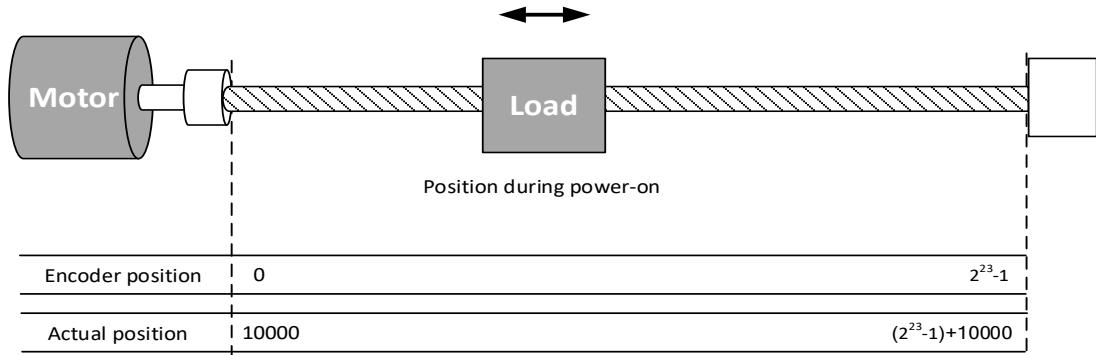
Axis is homed, target position range = 607Ch - [2<sup>23</sup>-1+607Ch]

When electronic gear ratio = 1:1, 607Ch = 0:



When electronic gear ratio = 1:1, 607Ch = 10000:





### 3、Clear multiturn position

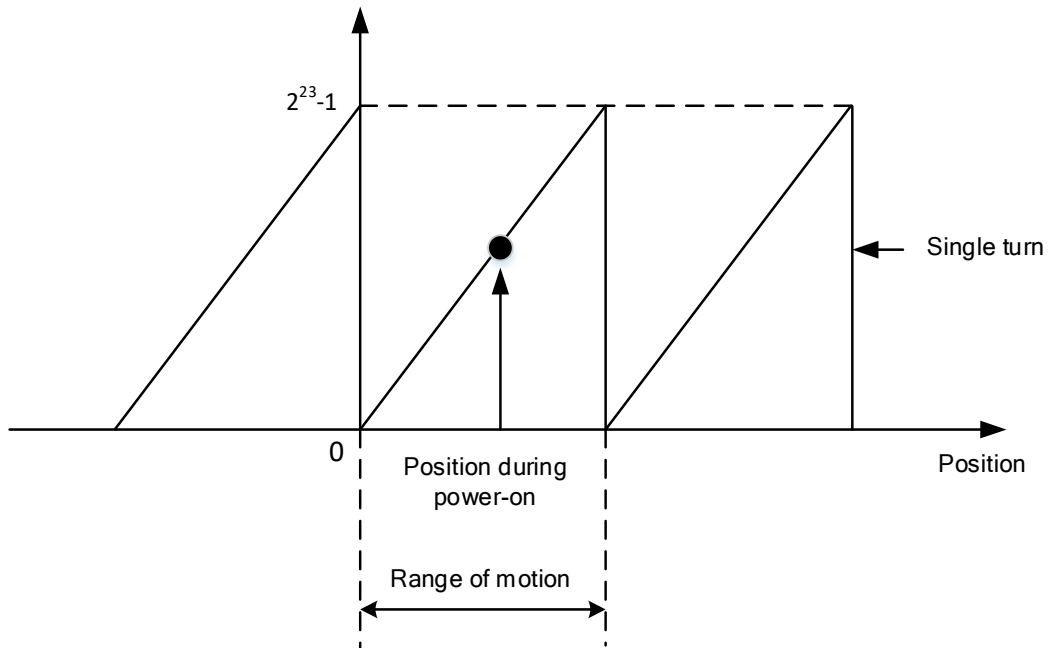
Before clearing multiturn position, axis needs to be homed. After clearing multiturn position, revolution count = 0 but absolute position remains unchanged and Err153 alarm will be cleared.

Please make sure the homing point is within the range of 1 revolution of the rotor. Installation and setup of the homing point can be set with the use of auxiliary function D21 on the front panel.

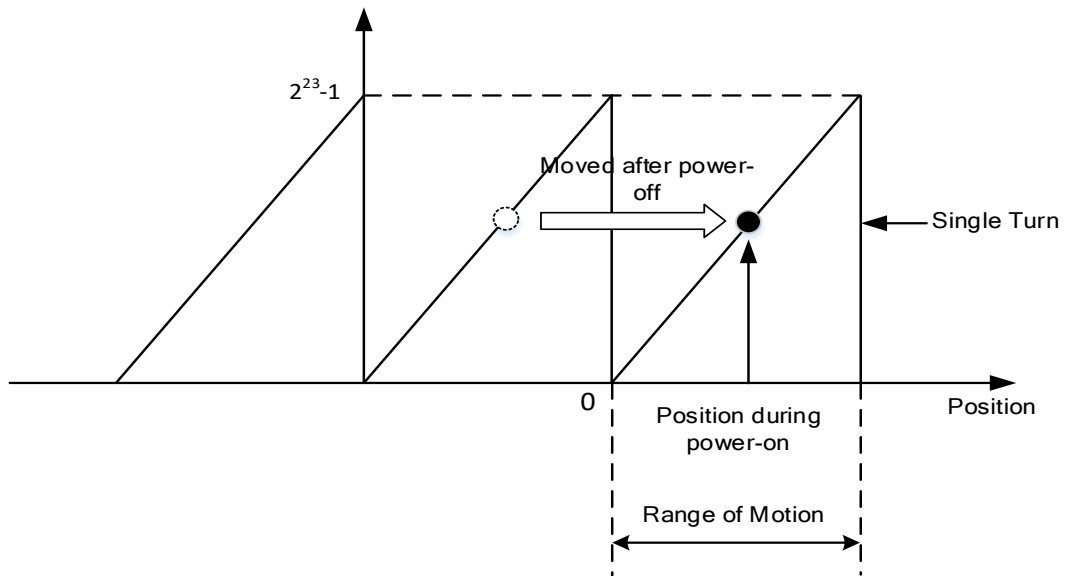
By setting Pr0.15 to 9, multiturn position will be cleared.

Please take notice of motor position during power on. Range of motion of a motor depends on the position of the motor during power on (23-bit absolute encoder as example).

If the motor position is as shown below during power on. The range of motion of the motor is within the range of a single turn of the motor from motor position during power on.



If power is turned off at position as shown below and power on when motor reaches the position below. Motor range of motion changes as shown below.



### 6.12.3 Absolute Encoder Related Alarm

The alarm can determine if absolute value encoder is valid. If battery power is low, not a motor with absolute encoder, encoder error etc. occurs, user can find out about the error from alarm output or on the front panel. Controller will stop any operation until alarm is cleared.

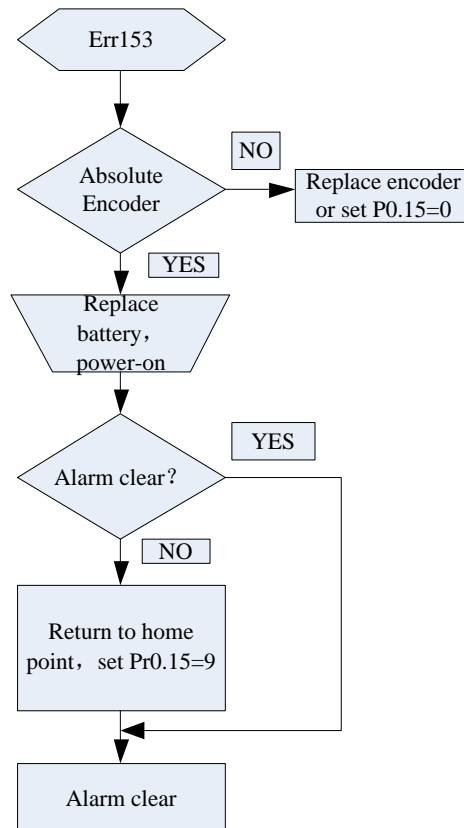
Alarm output:

Err153 will be shown on front panel or by I/O ALM signal and from controller.

Err153 might occur,

- (1) If absolute encoder is used for the first time and due to installation of new batteries Axis needs to be homed and multiturn data needs to be cleared.
- (2) If battery voltage is lower than 3.2v. Replace battery and restart the motor.
- (3) If battery voltage is lower than 2.5v or battery power was cut off. Replacing the battery won't clear the alarm. Axis needs to be homed and multiturn data needs to be cleared.

#### 4、 Alarm processing flow chart



## 6.13 Probe

Motor feedback position latching function can be realized through input signal with probe function. L7EC supports up to 2 inputs with probe function and can be used simultaneously, to record the position information corresponding to probe signal rising and falling edge. Probe 1 signal comes from CN1 terminal pin 1 and 5 differential signal. Probe 2 signal comes from CN1 terminal pin 2-6 differential signal.

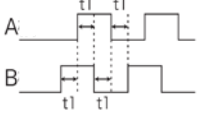
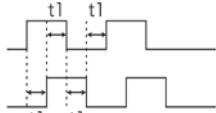
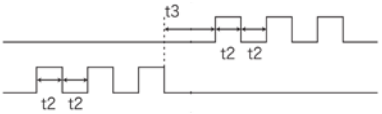
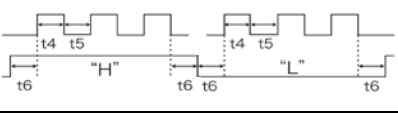
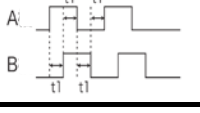
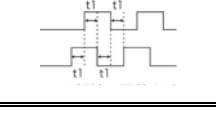
<b>Pr0.07</b>	Name	Probe signal polarity settings/Command pulse input mode settings			Mode						<b>F</b>
	Range	0 ~ 3	Unit	—	Default	3	Index	2007h			
	Activation	After restart									

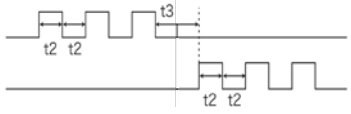
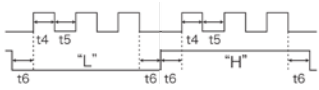
Probe signal polarity settings take effect when Pr0.01 = 9

Set value	Details
0	Probe 1 & 2 polarity inversion
1	Probe 2 polarity inversion
2	Probe 1 polarity inversion
3	No polarity inversion for probe 1 & 2

If Pr0.01  $\neq$  9, Pr0.07 = Command pulse input mode settings.

### Command pulse input

Command Polarity inversion (Pr0.06)	Command pulse input mode settings (Pr0.07)	Command Pulse Mode	Positive signal	Negative signal
<b>【0】</b>	0 <i>or</i> 2	90°phase difference 2 phase pulse ( Phase A+ Phase B )		
	1	CW pulse sequence + CCW pulse sequence		
	<b>【3】</b>	Pulse sequence + Directional symbol		
1	0 <i>or</i> 2	90°phase difference 2 phase pulse		

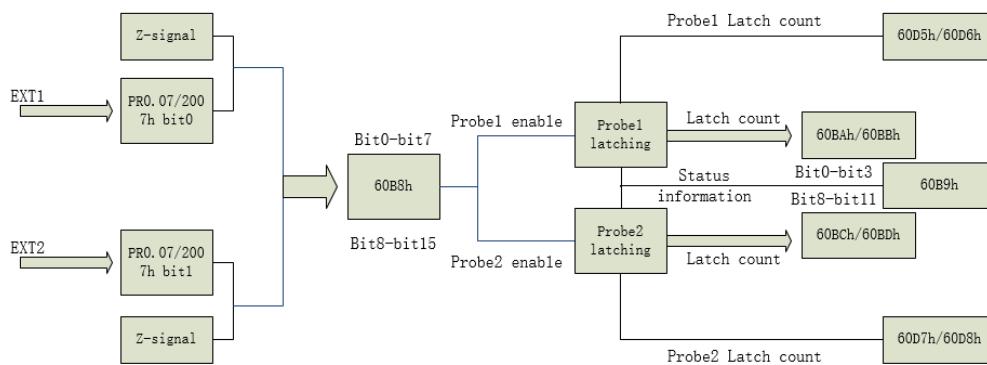
		(Phase A+Phase B)	
1	CW pulse sequence + CCW pulse sequence		
3	Pulse sequence + Directional symbol		

**Command pulse input signal max. frequency and min. duration needed**

Command pulse input interface		Max. Frequency	Min. duration needed (μs)					
			t1	t2	t3	t4	t5	t6
Pulse sequence interface	Differential drive	500 kHz	2	1	1	1	1	1
	Open collector	200 kHz	5	2.5	2.5	2.5	2.5	2.5

Please set >0.1μs for the duration between rising and falling edge of command pulse input signal.  
 1 revolution with 2500 pulses 2-phase pulse input when Pr0.07=0 or 2, Pr0.08 = 10000;  
 1 revolution with 10000 pulses 1-phase pulse input when Pr0.07=1 or 3, Pr0.08 = 10000

### 6.13.1 Probe function



When using EXT1 or EXT2 as probe, please set as following:

- Set polarity of EXT 1 or EXT 2 as probe. Set the level polarity of the probes using 0x2007 / Pr0.07. Bit 0 for EXT1 signal, bit 1 for EXT2 signal
- Probe function is set through 0x60B8 (Bit 0-7 is for probe 1, bit8-15 is for probe 2). Functions including activation trigger signal selection, triggering mode and triggering signal edge.

Please take note:

- Triggering mode: Single trigger, rising signal edge = valid; triggering mode:

Continuous trigger, rising and falling edge = valid

(ii) After activation, trigger signal selection, triggering signal edge settings, counter will be reset and 0x60B9 status will change as well.

(iii) Probe signal level is shown in 60FD: EXT1 -> bit 26, EXT2 -> bit 27.

### Related Objects

Index	Sub Index	Label	Access	Data Type	Units	Range	Default
2007h	00h	Probe 1 polarity setting	RW	Uint16		0~0xFFFF	1
2007h	01h	Probe 2 polarity setting	RW	Uint16		0~0xFFFF	1
60B8h	00h	Probe control word	RW	Uint16		0~65535	0
60B9h	00h	Probe status word	RO	Uint16		0~65535	0
60BAh	00h	Probe 1or Z-signal rising edge latching position	RO	int32	Command unit	-2147483648~2147483647	0
60BBh	00h	Probe 1 or Z-signal falling edge latching position	RO	int32	Command unit	-2147483648~2147483647	0
60BCh	00h	Probe 2 or Z-signal rising edge latching position	RO	int32	Command unit	-2147483648~2147483647	0
60BDh	00h	Probe 2 or Z-signal falling edge latching position	RO	int32	Command unit	-2147483648~2147483647	0
60D5h	00h	Probe 1 or Z-signal rising edge counter	RO	Uint32		0~4294967296	0
60D6h	00h	Probe 1 or Z-signal falling edge counter	RO	Uint32		0~4294967296	0
60D7h	00h	Probe 2 or Z-signal rising edge counter	RO	Uint32		0~4294967296	0
60D8h	00h	Probe 2 or Z-signal falling edge counter	RO	Uint32		0~4294967296	0

## 6.13.2 Signal Input of EXT1 and EXT2

EXT1: Pin1 and Pin5 of CN1 terminal

EXT2: Pin2 and Pin6 of CN1 terminal

## 6.13.3 Probe Control Word 60B8h

Bit	Definition	Details
0	Probe 1 enable	0--Disable 1--Enable
1	Probe 1 mode	0--Single trigger mode 1--Continuous trigger mode
2	Probe 1 trigger signal selection	0--EXT1 signal 1--Z signal
3	Reserved	-
4	Probe 1 rising edge trigger	0--Disable 1--Enable

5	Probe 1 falling edge trigger	0--Disable 1--Enable
6-7	Reserved	-
8	Probe 2 enable	0--Disable 1--Enable
9	Probe 2 mode	0--Single trigger mode 1--Continuous trigger mode
10	Probe 2 trigger signal selection	0--EXT2 signal 1--Z signal
11	Reserved	-
12	Probe 2 rising edge trigger	0--Disable 1--Enable
13	Probe 2 falling edge trigger	0--Disable 1--Enable
14-15	Reserved	-

#### 6.13.4 Probe Status Word 60B9h

Bit	Definition	Details
0	Probe 1 enable	0--Disable 1--Enable
1	Probe 1 or Z-signal rising edge trigger	0-- not executed 1-- executed
2	Probe 1 or Z-signal falling edge trigger	0-- not executed 1-- executed
3-5	Reserved	-
6-7	Reserved	-
8	Probe 2 enable	0--Disable 1--Enable
9	Probe 2 or Z-signal rising edge trigger	0-- not executed 1-- executed
10	Probe 2 or Z-signal falling edge trigger	0-- not executed 1-- executed
11-13	Reserved	-
14-15	Reserved	-

#### 6.13.6 Latch Position Register

Index	Details
60BAh	Probe 1 or Z-signal rising edge latch position
60BBh	Probe 1 or Z-signal falling edge latch position
60BCh	Probe 2 or Z-signal rising edge latch position
60BDh	Probe 2 or Z-signal falling edge latch position

### 6.13.7 Latch Counter Register

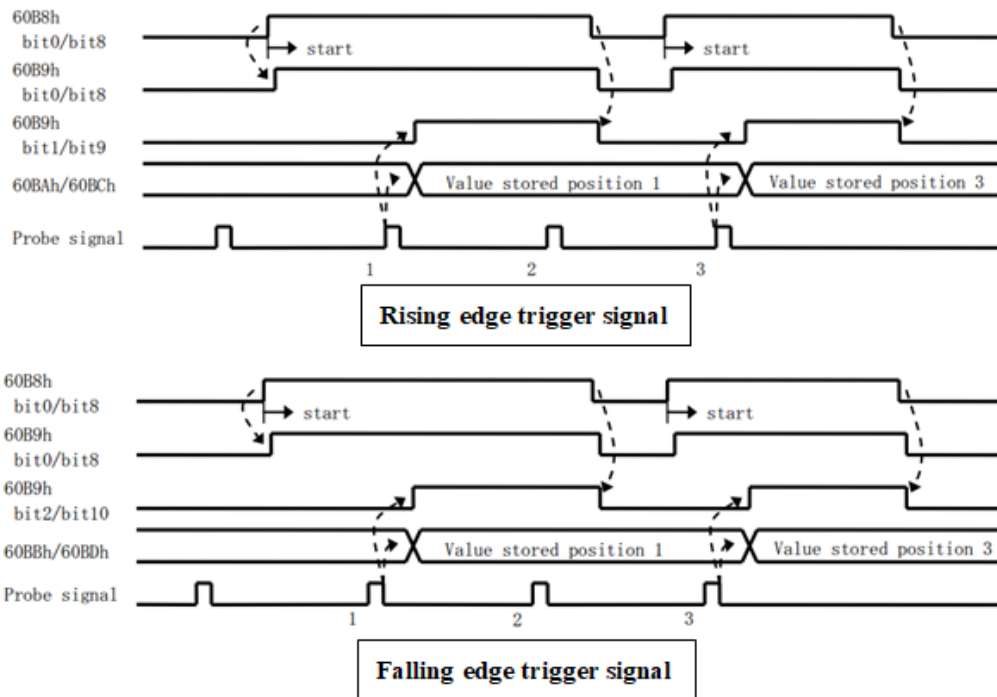
Index	Details
60D5h	Probe 1 or Z-signal rising edge counter
60D6h	Probe 1 or Z-signal falling edge counter
60D7h	Probe 2 or Z-signal rising edge counter
60D8h	Probe 2 or Z-signal falling edge counter

### 6.13.8 Probe mode

Set bit1/bit9 of 60B8h (Probe mode), 0 = Single trigger mode, 1 = Continuous trigger mode.

#### (1) Single trigger mode

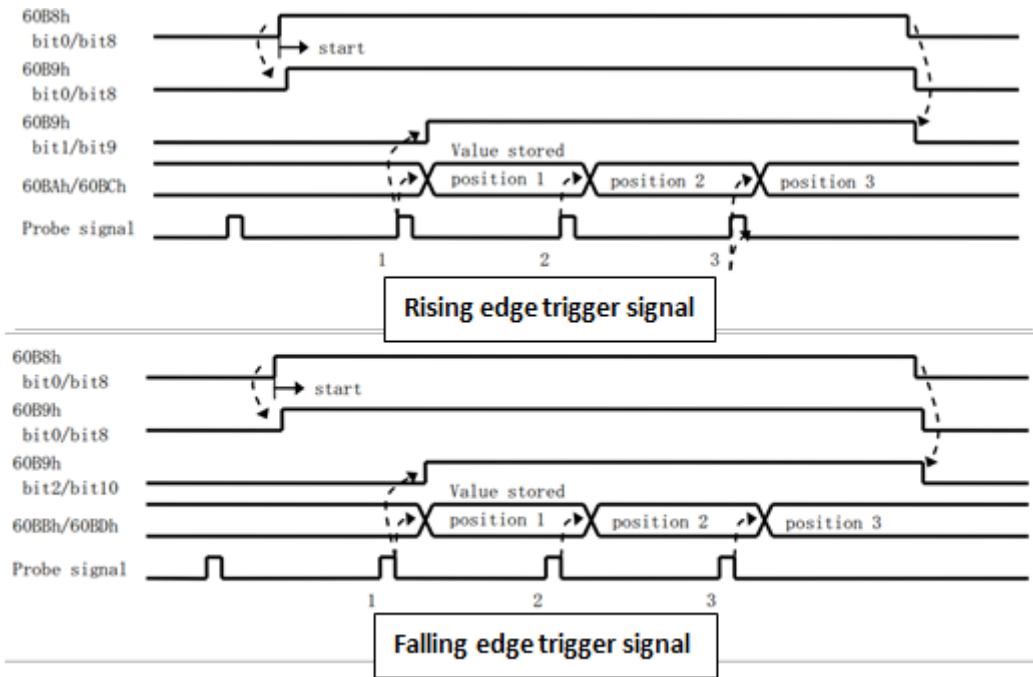
Triggers only when the trigger signal is valid for the first time. In order to latch the position, users need to set bit0/bit8 of 60B8h to 0, then set bit0/bit8 of 60B8h to 1. The sequence diagram is as shown below:





(2) Continuous trigger mode

The data saved from signal triggering will be saved until the next trigger signal. Enabling the probe again is not needed. Sequence diagram as shown below:



## 6.14 Other Functions

### 6.14.1 Functions under Position mode

#### Electronic gear function

If command frequency from controller is not enough which cause the motor to not reach target rotational velocity, frequency can be increased using this function.

<b>Pr0.08</b>	Name	Command pulse counts per revolution			Mode						<b>F</b>
	Range	0~8388608	Unit	P-	Default	0	Index	2008h			
	Activation	After restart									
Pulses per revolution can be set using object dictionary 608F, 6091, 6092. However, Pr0.08 has higher priority.											

<b>Index 608Fh-01</b>	Name	Encoder resolution			Unit	Encoder unit	Structure	VAR	Type	UInt 32
	Access	R 0	Mapping	TPDO	Mode	F	Range	1~2147 48364	Default	0

								7		
To set encoder resolution										
Index 6091h-01	Name	Electronic gear ratio numerator			Unit	r	Structure	VAR	Type	Dint 32
	Access	RW	Mapping	RPDO	Mode	F	Range	1-21474 83647	Default	1
To set electronic gear ratio numerator										
Index 6091h-02	Name	Electronic gear ratio denominator			Unit	r	Structure	VAR	Type	Dint 32
	Access	RW	Mapping	RPDO	Mode	F	Range	1-21474 83647	Default	1
To set electronic gear ratio denominator										
Index 6092h-01	Name	Number of pulses per rotation			Unit	Command unit/r	Structure	VAR	Type	UInt 32
	Access	RW	Mapping	RPDO	Mode	F	Range	1~21474 83647	Default	10000
If 6092h-01(Feed constant) is not equal to 608Fh(Position encoder resolution), then: Electronic gear ratio = Encoder resolution / 6092h-01  If 6092h-01(Feed constant) is equal to 608Fh(Position encoder resolution), then: Electronic gear ratio = 6091-01 / 6092h-01										

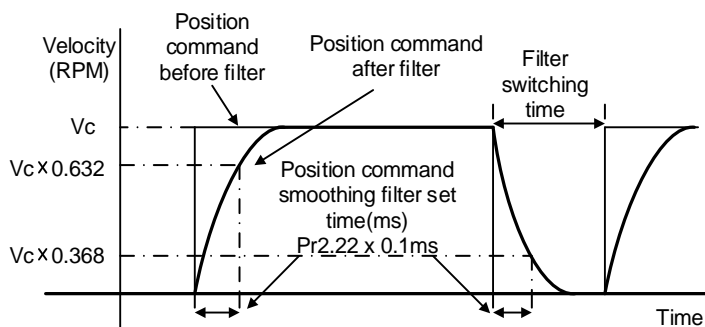
### Position command filter function

To smoothen the position command after frequency divider/multiplier

Pr2.22	Name	Position command smoothing filter			Mode	PP		HM	CS	P
	Range	0~32767	Unit	0.1ms	Default	0	Index	2222h		
	Activation	Stop axis								

To set time constant of 1 time delay filter of position command.

To set time constant of 1 time delay filter, according to target velocity  $V_c$  square wave command as show below.

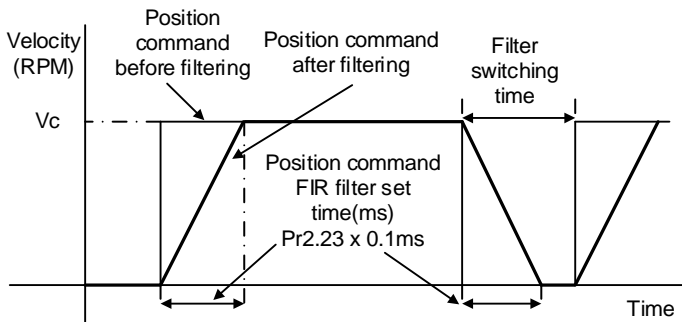


Usually applied when there is rather sharp acceleration which might cause motor overshoot or undershoot. To smoothen command signal, reduces impact to machines and eliminate vibration.

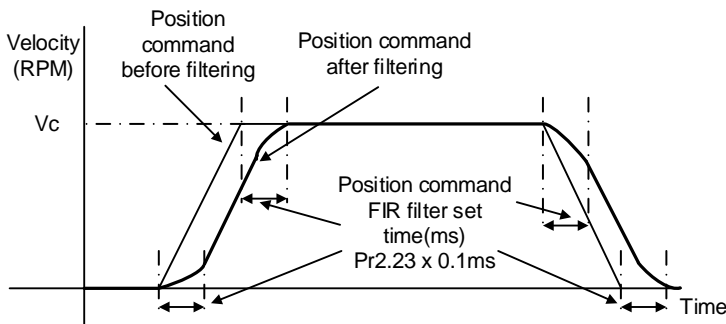
If Pr2.22 is set too high, overall time will be lengthened.

<b>Pr2.23</b>	Name	Position command FIR filter			Mode	PP		HM	CS	P		
	Range	0~10000	Unit	0.1ms	Default	0	Index	2223h				
	Activation	Disable axis										

As shown below, when target velocity Vc square wave command reaches Vc, it becomes trapezoidal wave after filtering.



As shown below, when target velocity Vc trapezoidal command reaches Vc, it becomes S wave after filtering.



Usually applied when there is rather sharp acceleration which might cause motor overshoot or undershoot. To smoothen command signal, reduces impact to machines and eliminate vibration. If Pr2.23 is set too high, overall time will be lengthened.

**\*\*Please wait for command to stop and after filter idle time to modify Pr2.23.**

$$\text{Filter switching time} = (\text{Pr2.23 set value} \times 0.1\text{ms} + 0.25\text{ms})$$

**In Position**

Positioning completed status can be determined by output of INP signal. Under position control mode, the absolute value of position deviation counter will be ON if positioning is under the range set in Pr4.31.

<b>Pr4.31</b>	Name	Positioning complete range			Mode	PP		HM	CSP		
	Range	0~10000	Unit	Command unit	Default	20	Index	2431h			
	Activation	Immediate									
To set position deviation range of INP1 positioning completed output signal.											
<b>Pr4.32</b>	Name	Positioning complete output setting			Mode	PP		HM	CSP		
	Range	0~4	Unit	-	Default	1	Index	2432h			
	Activation	Immediate									
Output conditions of INP1 positioning completed output signal											
<b>Set value</b>		<b>Positioning completed signal</b>									
0		Signal valid when the position deviation is smaller than Pr4.31									
1		Signal valid when there is no position command and position deviation is smaller than Pr4.31									
2		Signal valid when there is no position command, zero-speed clamp detection (ZSP) signal is ON and the positional deviation is smaller than Pr4.31									
3		Signal valid when there is no position command and position deviation is smaller than Pr4.31. Signal ON when within the time set in Pr4.33 otherwise OFF.									
4		When there is no command, position detection starts after the delay time set in Pr4.33. Signal valid when there is no position command and positional deviation is smaller than Pr4.31.									
<b>Pr4.33</b>	Name	INP positioning delay time			Mode	PP		HM	CSP		
	Range	0~15000	Unit	1ms	Default	0	Index	2433h			
	Activation	Immediate									
To set delay time when Pr4.32 = 3											
<b>Set value</b>		<b>Positioning completed signal</b>									
0		Indefinite delay time, signal ON until next position command									
1-15000		OFF within the time set; ON after time set. Switch OFF after receiving next position command.									

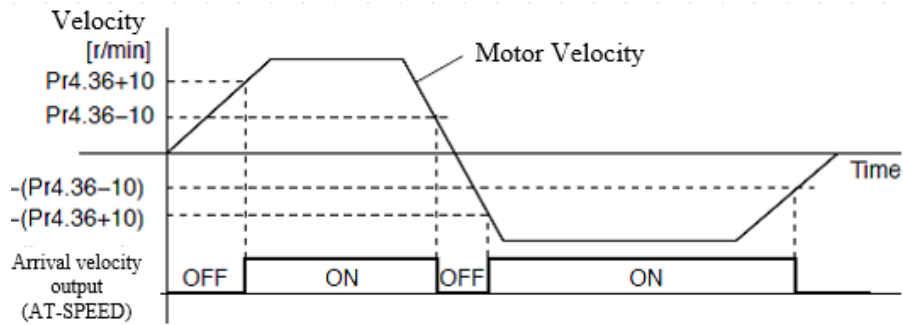
## 6.14.2 Functions under velocity mode

### Velocity reached output signal (AT-SPEED)

AT-SPEED signal delivers after motor velocity reached arrival velocity.

<b>Pr4.36</b>	Name	Arrival velocity (AT-speed)			Mode	PV			CSV
	Range	10~2000	Unit	RPM	Default	1000	Index		2436h
	Activation	Immediate							

When motor velocity > Pr4.36, AT-speed output signal is valid.  
Detection using 10RPM hysteresis.



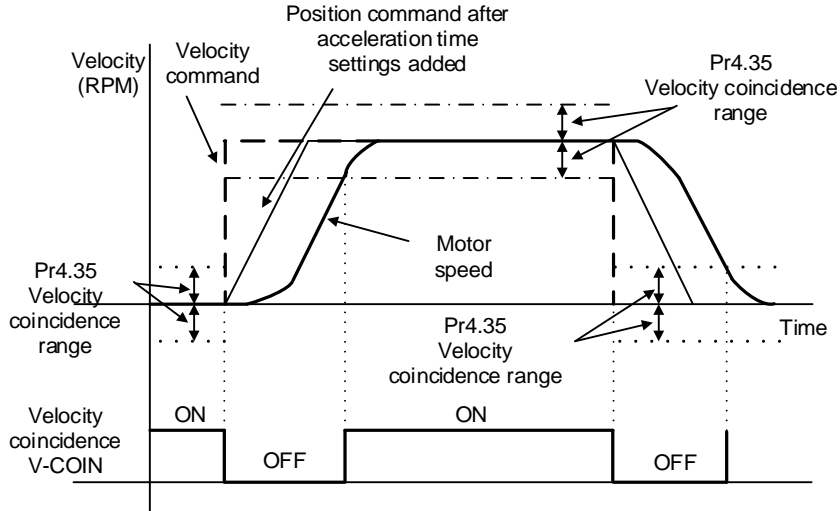
### Velocity coincidence output

Velocity command (before acc-/deceleration) coincides with motor velocity. If the difference between velocity command and motor velocity is within the range set in Pr4.35, it is treated as the velocity coincides.

<b>Pr4.35</b>	Name	Velocity coincidence range			Mode	PV			CSV
	Range	10~2000	Unit	RPM	Default	50	Index		2435h
	Activation	Immediate							

If the difference between velocity command and motor actual speed is below Pr4.35, Velocity coincidence (V-COIN) output signal valid.

Due to 10RPM hysteresis:  
 Velocity coincidence output OFF -> ON timing (Pr4.35 -10) r/min  
 Velocity coincidence output ON -> OFF timing (Pr4.35 +10) r/min



**Zero speed position output**

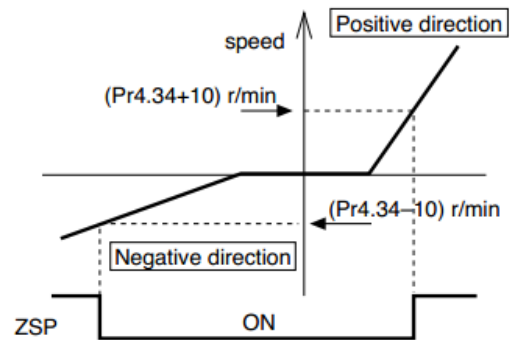
If the absolute value of the velocity feedback satisfies set conditions, corresponding output will be set to ON.

<b>Pr4.34</b>	Name	Zero speed			Mode						F
	Range	1~2000	Unit	RPM	Default	50	Index	2434h			
	Activation	Immediate									

To set threshold value for zero speed clamp detection.

Zero speed clamp detection (ZSP) output signal valid when motor speed goes under the value set in Pr4.34

- Disregard the direction of rotation, valid for both directions.
- Hysteresis of 10RPM. Please refer to diagram on the right side.



### 6.14.3 Functions under torque mode

Velocity limit is required under torque mode to make sure motor rotational velocity stays within the limit.

#### Velocity limit function

During torque control, velocity control should be within the range of velocity limit. When motor reaches velocity limit, command control will switch from torque control to command control with velocity limit.

Due to gravitational or other external factors, torque command from controller might differ from the direction of rotation of the motor, velocity limit will be invalid. Please error occurs in such situation, please set Pr5.13 as stopping velocity. If velocity is over the value set in Pr5.13, Er1A0 might occur and motor will stop.

<b>Pr5.13</b>	Name	Overspeed level settings			Mode					<b>F</b>
	Range	0~10000	Unit	RPM	Default	0	Index		2513h	
	Activation	Immediate								
If motor speed exceeds Pr5.13, Er1A0 might occur. When Pr5.13 = 0, overspeed level = max. motor speed x 1.2										

## Chapter 7 EtherCAT communication

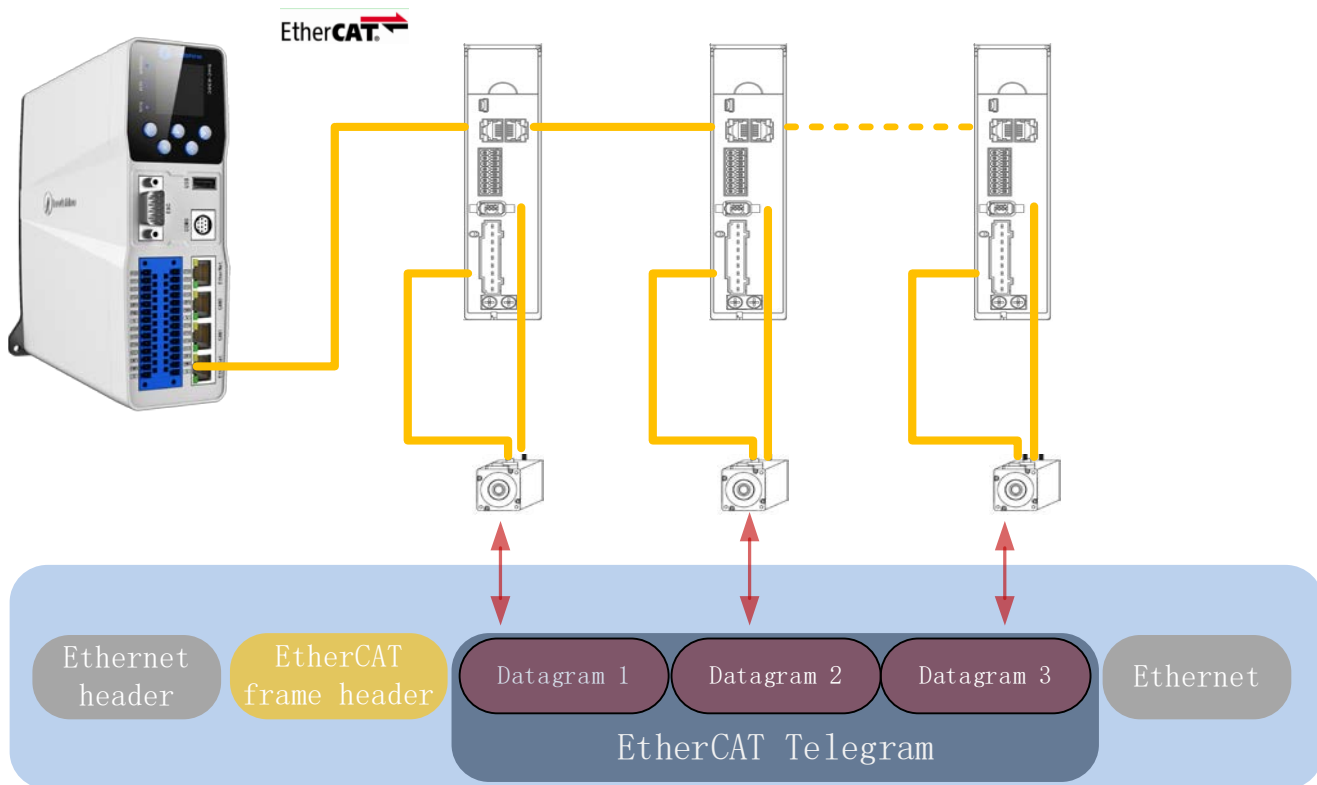
### 7.1 EtherCAT principle function

In comparison to Ethernet protocol which requires huge bandwidth for packets to be moved between master and clients, EtherCAT communication protocol breaks through this systemic limitation of Ethernet which requires every client to receive the whole data package from the master.

The EtherCAT master sends a telegram that passes through each node. Each EtherCAT slave device reads the data addressed to it “on the fly”, and inserts its data in the frame as the frame is moving downstream. The frame is delayed only by hardware propagation delay times. The last node in a segment (or drop line) detects an open port and sends the message back to the master using Ethernet technology's full duplex feature.

The telegram's maximum effective data rate increases to over 90 %, and due to the utilization of the full duplex feature, the theoretical effective data rate is even higher than 100 Mbit/s (> 90 % of two times 100 Mbit/s).

The EtherCAT master is the only node within a segment allowed to actively send an EtherCAT frame; all other nodes merely forward frames downstream. This concept prevents unpredictable delays and guarantees real-time capabilities.



**EtherCAT in standard Ethernet frame**



## ID number setting of EtherCAT slave station

To set up EtherCAT slave station ID number, please set Pr0.24 = 1 and set required ID number to Pr0.23.

<b>Pr0.23</b>	Name	EtherCAT slave ID			Mode						F
	Range	0~32767	Unit	—	Default	2	Index		2023h		
	Activation	After restart									
Set ID number of the slave station under EtherCAT mode											
<b>Pr0.24</b>	Name	Source of slave ID			Mode						F
	Range	0~1	Unit	—	Default	1	Index		2024h		
	Activation	After restart									
0: Master device automatically assigns a slave address. 1: The slave ID = Pr0.23											

## 7.2 Synchronous Mode

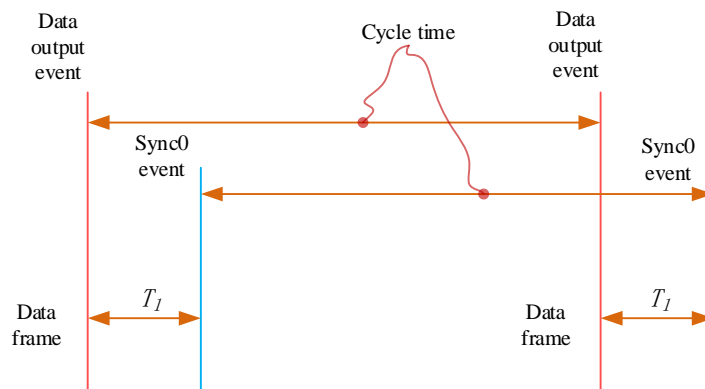
### 7.2.1 Free Running Mode

In free moving mode, EL7-EC processes the process data sent by the master asynchronously. It only applies to asynchronous motion mode such as homing mode, protocol position mode, etc

### 7.2.2 Distributed clock synchronization mode

EL7-EC adopts the synchronous mode of distributed clock as shown in figure 6.2. When the master station sends process data to the slave station, the slave station immediately reads the process data, and then waits for the synchronization signal to trigger the process data to act on the driver.

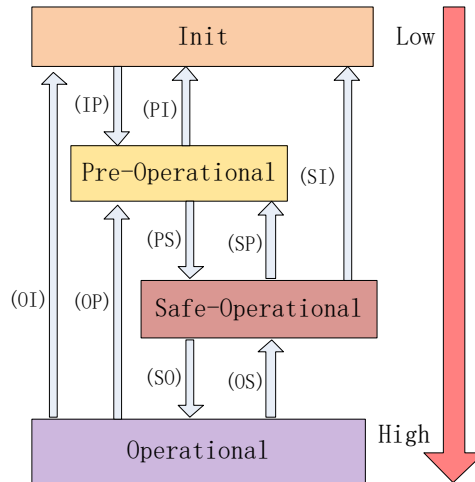
The process data must arrive at the EL7-EC drive before the time of Sync0 signal  $T_I$ . The drive has completed the analysis of the process data and relevant control calculation before the arrival of Sync0 event. After receiving Sync0 event, EL7-EC immediately implements the control action which has a high synchronization performance.



**Figure 7.2 High performance synchronization mode**

### 7.3 EtherCAT state machine

EtherCAT state machine, commonly known as "communication state machine ", is mainly used to manage communication between master and slave stations. The communication function mainly includes mailbox and process data communication. The EtherCAT state machine transition relationship is shown in figure 6.3



**Figure 7.3 EtherCAT state machine transitions**

EtherCAT state machine transitions have the following characteristics:

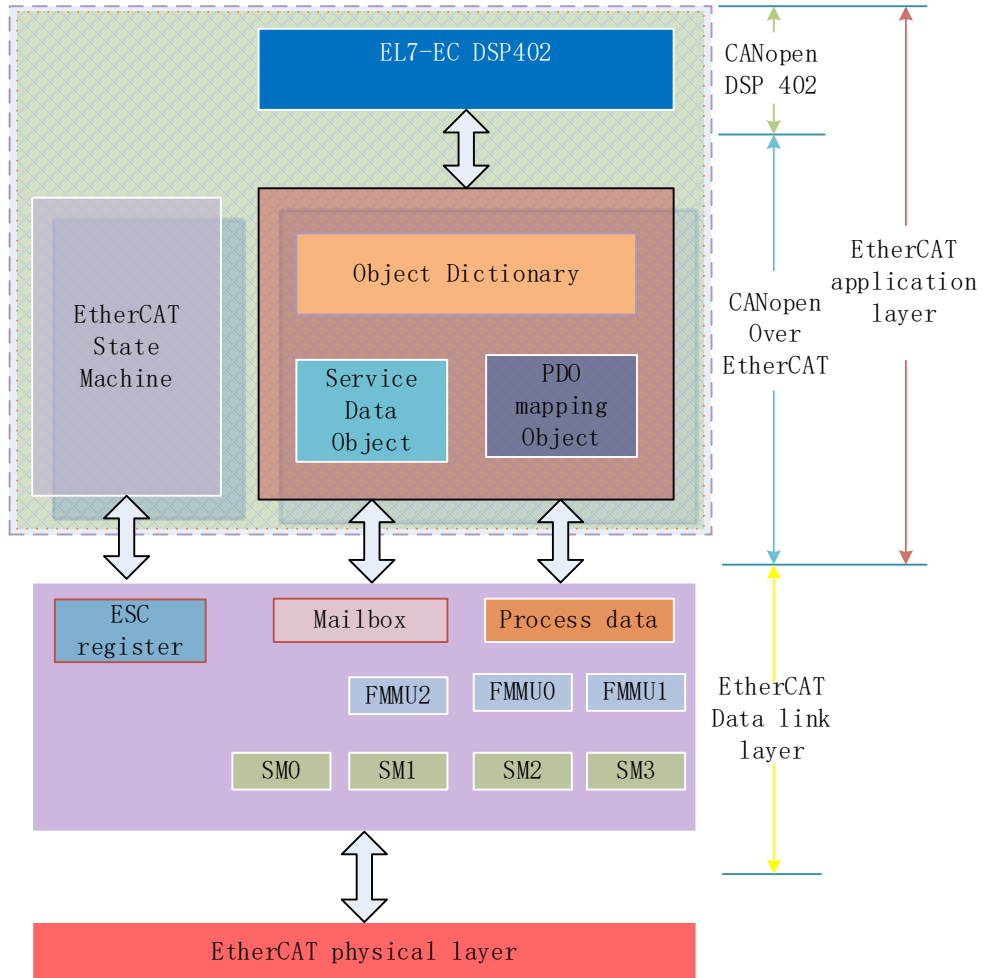
- ① From initialization to operational, the conversion must be carried out strictly in the order of initializing > pre-operational > safe operational > operational, from low to high, and no grade skipping is allowed
- ② When converting from high to low, grade skipping is allowed.
- ③ If state transition request to master station fails, slave station will send an error message to the master station.

**EtherCAT 402 State Machine Communication function**

State and transition	Communication function
Init	No mailbox or process data communication is possible.
Pre-Operational	Mailbox communication is effective, no process data communication, SDO function is valid
Safe-Operational	Mailbox communication and sending process data object is valid, SDO and TXPDO are valid
Operational	Mailbox communication, receive and send process data object valid, SDO、RXPDO and TXPDO valid

## 7.4 CANopen over EtherCAT (CoE)

### 7.4.1 Network structure of EL7-EC



**Figure 7.4 The structure of EL7-EC network module**

The data link layer is mainly implemented by EtherCAT slave station controller (ESC). EL7-EC EtherCAT application layer protocol mainly includes application part (CANopen DSP402), object dictionary and communication function (red frame part), among which object dictionary and communication function can be jointly called CoE part.

**Object dictionary**—Bridge of communication function and application part.

**Communication function**—Implementation of communication rules (SDO, PDO, etc.)

**Application part**—Define the specific function of the device, such as the drive, IO module.

## 7.4.2 Object dictionary

EtherCAT master controls the EL7-EC drive by writing and reading device state /information. To do this, the drive defines read-write parameters and read-only state values. Object dictionary is the collection of these parameters and states.

The EL7-EC object dictionary contains all DSP402 and CoE related data objects in a standardized manner. It is a collection of EL7-EC parameter data structures.

The EL7-EC object dictionary is the interface with which the controller communicates. EtherCAT master implements EL7-EC motion control through the interface of object dictionary.

## 7.4.3 Service Data Object (SDO)

The EL7-EC series supports SDO services. EtherCAT master can configure, monitor and control EL7-EC servos by using SDO to read and write EL7-EC object dictionaries.

In conventional CANopen DS301 mode, SDO protocol CAN only transfer 8 bytes at a time to match the data length of CAN message. In COE enhancement mode, only the payload data is expanded without changing the protocol head; In this way, the SDO protocol uses mailboxes with larger data lengths, thus improving the transmission efficiency of big data.

## 7.4.4 Process Data Object (PDO)

### PDO Introduction

PDO is generally used for real-time data updates. It is divided into receiving PDO (RXPDO) and sending PDO (TXPDO). The data stream direction of receiving PDO is from master station to slave station, while sending PDO is from slave station to master station. The PDO function of EL7-EC supports both synchronous cycle mode and non-periodic update mode. When distributed clock synchronization mode is selected on master station, PDO will update according to the synchronization cycle. If free moving mode is selected, PDO data updates aperiodic.

### PDO mapping

Through PDO mapping, the real-time transmission of mapped objects can be realized. EL7-EC supports simultaneous transmission of 2 sets of RXPDO and 2 sets of TXPDO. Each PDO object can map up to 8 object dictionary (maximum length 32 bytes). The format of PDO mapping content is shown in table 6.2

**Table 7.2 Format of PDO mapping**

Bit	31~16	15~8	7~0
<b>Description</b>	Index of mapped object	Subindex of mapped object	Bit length (Hex)
<b>Example</b>	6040h	00h	10h(16bit)

Default PDO mapping (consistent with the XML file) is shown in table 7.3

**Table 7.3 Default PDO mapping**

PDO Map object index	PDO Map object Sub-index	Mapping content	Mapped Object			Description
			Index	Sub-index	Bit length	
RXPDO1 (1600h)	01h	60400010h		00h	10h(16 bit)	01h
	02h	607A0020h		00h	10h(16 bit)	02h
	03h	60B80020h		00h		03h
RXPDO2 (1601h)	01h	60400010h	6040h	00h	10h(16 bit)	Control word
	02h	60FF0020h	60FFh	00h	20h(32 bit)	Target velocity
	03h	60B20010h	60B2h	00h	10h(16 bit)	Torque feedforward
RXPDO3 (1602h)	01h	60400010h	6040h	00h	10h(16 bit)	Control word
	02h	60710010h	6071h	00h	10h(16 bit)	Target torque
	03h	60870020h	6084h	00h	20h(32 bit)	Profile deceleration
RXPDO4 (1603h)	01h	60400010h	6040h	00h	10h(16 bit)	Control word
	02h	60980008h	6098h	00h	08h(8 bit)	Homing method
	03h	60990120h	6099h	01h	20h(32 bit)	High homing velocity
	04h	60990220h	6099h	02h	20h(32 bit)	Low homing velocity
	05h	609A0020h	609Ah	00h	20h(32 bit)	Homing acceleration
	06h	607C0020h	607Ch	00h	20h(32 bit)	Homing position offset
	07h	60600008h	6060h	00h	08h(8 bit)	Operation mode
TXPDO1 (1A00h)	01h	603F0000h				
	02h	60410000h				
	03h	60610000h				
	04h	60640000h				
	05h	60B90020h				
	06h	60BA0020h				
	07h	60FD0020h				
TXPDO2 (1A01h)	No default mapping					

## PDO dynamic mapping

Different from CIA DS301, CoE uses PDO specified objects (1C12h/1C13h) to configure PDO mapped objects (1600h~1603h/1A00h~1A01h) to PDO SyncManager (SyncManager 2/3).

PDO specified objects are defined in table 6.4

**Table 6.4 PDO specifies object definitions**

Index	Sub-index	Range	Data type	Access
RXPDO (1C12h)	00h	0~4	U8*1)	RO *2)
	01h	1600h~1603h	U16	RW
	02h		U16	RW
	03h		U16	RW
	04h		U16	RW
TXPDO (1C13h)	00h	0~2	U8	RO
	01h	1A00h~1A01h	U16	RW
	02h		U16	RW

\*\* 1) U represents unsigned type, such as U8 for unsigned 8 bits and U16 for unsigned 16 bits

2) Access: RO = Read Only, RW = Read and Write, WO = Write Only

## PDO dynamic mapping setup procedure

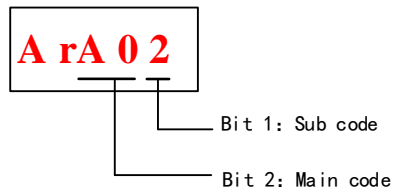
- A、 Switch EtherCAT state machine to pre-operational, then PDO map can be configured using SDO.
- B、 Clear the PDO mapping object of the PDO specified object by setting 1C12-00h / 1C13-00h to 0.
- C、 Invalidate the PDO mapping object by assigning 0 to the subindex 0 of 1600h~1603h /1A00h~1A01h.
- D、 Reconfigure PDO mapping content and write the mapping object into the objects in the range of 1600-01h~1600-08h, 1601-01h~1601-08h, 1602-01h~1602-08h, 03-01h~1603-08h (RXPDO mapping content as from 1600h-01), 00-01h ~ 1A00-08h or 1A01-01h~1A01-08h (TXPDO mapping content as from 1A00h-01) according to Table 6.3
- E、 Set the total number of PDO mapping objects by writing the number of mapping objects into 1600-00h, 1601-00h, 1602-00h, 1603-00h, 1A00-00h or 1A01-00h. The total number of PDO mapping objects without mapping content will be set to 0.
- F、 Write valid PDO mapping object index to PDO specified object by writing valid RXPDO mapping object index 1600h~1603h into 1C12-01h ~ 1C12-04h and writing valid TXPDO mapping object index 1A00h, 1A01h into 1C13-01h, 1C13-02h.
- G、 Set the total number PDO specified objects by writing the number of mapped objects to 1C12-00h and 1C13-00h.
- H、 Switch EtherCAT state to Safe-Operational or above, the configured PDO mapping will be valid.

## Chapter 8 Warning and Alarm

### 8.1 Servo drive warning

When warning occurs, driver will set protective function but **motor won't stop moving**. Error code will be displayed on the front panel.

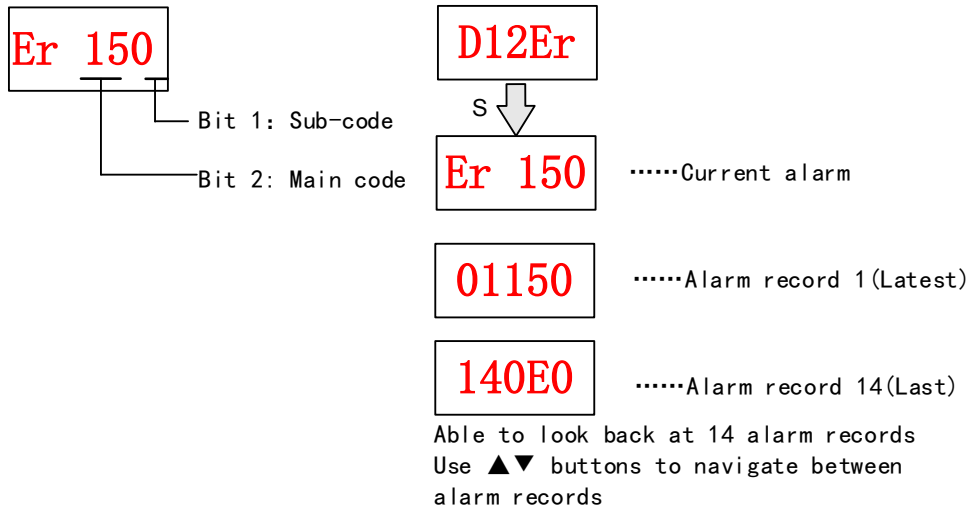
Example of warning code:



Warning Code		Content
Main	Code	
A0	1	Overload warning
	2	Regeneration energy overload warning(85% of the regeneration threshold)
	3	Absolute encoder <b>battery voltage low (&lt;3.1V)</b> . Valid when Pr0.15 is set to 1.
	4	Change the parameter to a non-real time valid warning
	5	<b>Pr0.01 is not 9</b> under current control mode, please correct this parameter

### 8.2 Servo drive alarm

When alarm occurs, driver will set protective function and **motor stops moving**. Error code will be displayed on the front panel. Alarm history record can also be viewed in data monitoring mode, with the alarm log sub-menu displaying "**d12Er**".


**Table 9.1 Error Code List**

Error code		Content	Attribute		
Main	Sub		Save	Type	Clearable
0A	0~1	Circuit current detection error	●	2	
	3	Motor power cable not connected	●	1	●
0b	0	Control circuit power supply voltage too low		2	
	1	Control circuit power supply voltage too high		2	●
0c	0	DC bus overvoltage	●	1	●
0d	0	DC bus undervoltage	●	1	●
	1	Single phasing of main power supply	●	2	
	2	No main power supply detected		2	
0E	0	Overcurrent	●	1	
	1	Intelligent Power Module (IPM) overcurrent	●	1	
	2	Power output to motor shorted to ground	●	1	
	4	Phase overcurrent	●	1	
0F	0	Driver overheated	●	2	
10	0	Motor overloaded	●	1	●
	1	Driver overloaded	●	1	●
	2	Motor rotor blocked	●	1	●
12	0	Regenerative resistor overvoltage	●	2	
	1	Holding brake error	●	1	
	2	Regenerative resistor value too low	●	2	
15	0	Encoder disconnected	●	1	
	1	Encoder communication error	●	1	
	2	Encoder initial position error	●	1	
	3	Multiturn encoder error	●	2	
	4	Encoder parameter settings error	●	2	



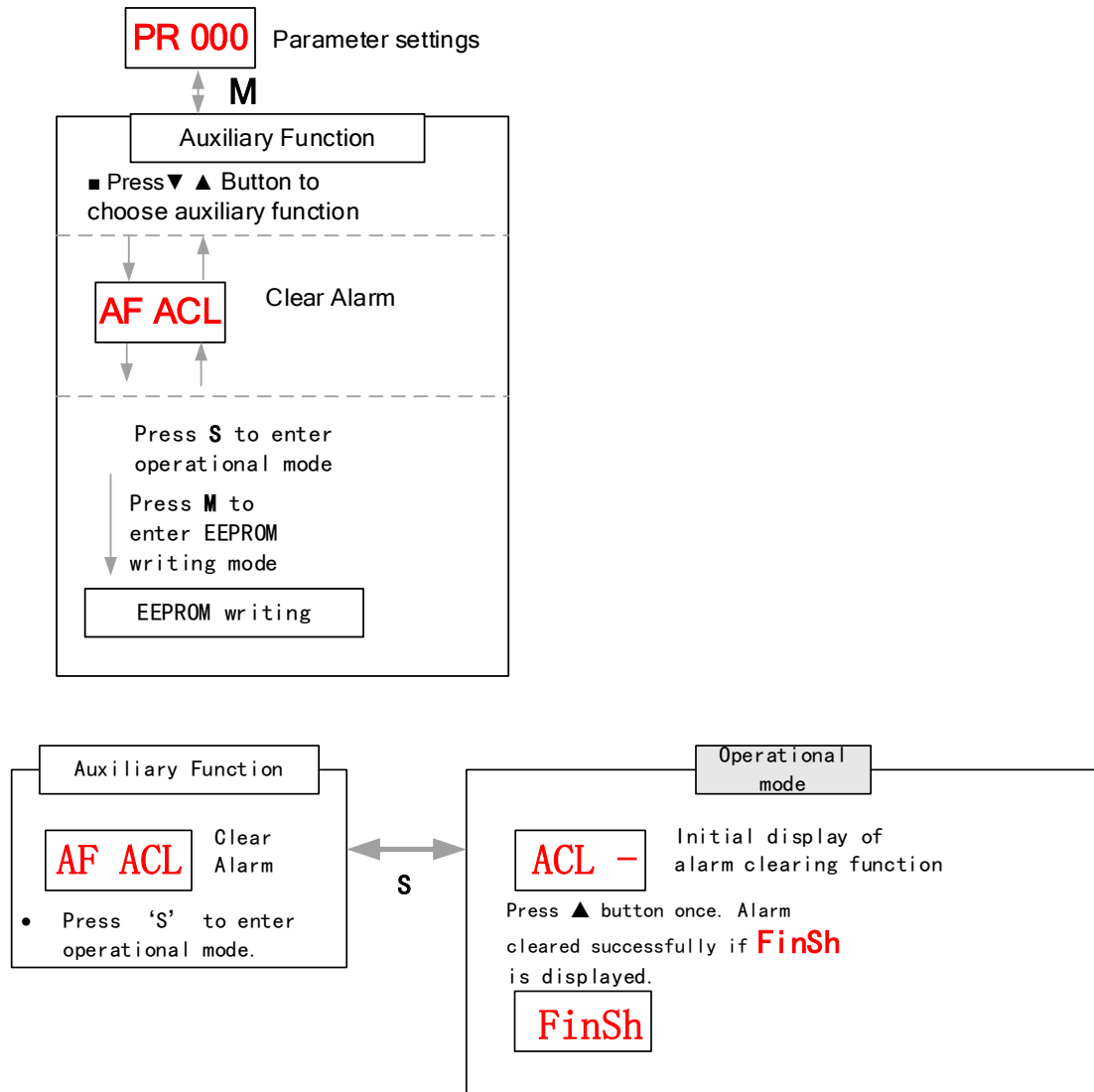
	5	Encoder data overflow	•	2	•
	6	Encoder overheated	•	2	•
	7	Encoder counter error	•	2	•
17	0	Encoder data error	•	1	
	1	Encoder parameter initialization error	•	1	
18	0	Excessive position deviation	•	2	•
	1	Excessive velocity deviation			
19	0	Motor vibration too strong	•	2	•
1A	0	Overspeed	•	2	•
	1	Velocity out of control	•	1	•
1b	0	Bus input signal dithering	•	2	•
	1	Incorrect electronic gear ratio		2	
1c	0	Both STO failed	•	1	•
	1	1st STO failed	•	1	
	2	2nd STO failed	•	1	
21	0	I/O input interface assignment error	•	2	
	1	I/O input interface function assignment error	•	2	
	2	I/O output interface function assignment error	•	2	
24	0	EEPROM parameters initialization error		2	
	1	EEPROM hardware error		2	
	2	Error saving alarm history record		2	
	3	Error occurred when saving vendor parameters		2	
	4	Error occurred when saving communication parameters		2	
	5	Error occurred when saving parameter 402		2	
	6	Data saving error during power-off			
26	0	Positive/Negative position limit triggered under non-homing mode	•	2	•
27	0	Analog 1 input overrun limit	•	2	•
	1	Analog 2 input overrun limit	•	2	•
28	0	Output pulse frequency too high	•	2	•
57	0	Forced alarm input valid	•	2	•
5F	0	Motor model no. detection error		2	
	1	Driver power module detection error		2	
60	0	Main loop interrupted timeout		2	
	1	Velocity loop interrupted timeout		2	
70	0	Encryption error		2	

**[Note:]**

**Save:** Save error messages to alarm history.

**Type:** The type 1 and type 2 fault stop mode can be set via Pr5.10 [Sequence at alarm].

**Clearable:** Clearable alarm by operating the front panel and use auxiliary function **AFACL** as below. Besides clearable alarms, please first solve the error and restart the servo driver to clear alarm.



**Table 8.2 Alarm and 603F correspondence**

Error Code Display	1001h	603Fh	ETG Code	Alarm Description
Er 0A0	0x04	0x3150		Phase A circuit current detection error
Er 0A1	0x04	0x3151		Phase B circuit current detection error
Er 0A3	0x04	0x3153		Motor power cable not connected
Er 0b0				Control circuit power supply voltage too low
Er 0b1	0x04	0x3206		Control power supply voltage too high
Er 0C0	0x04	0x3211		DC bus overvoltage
Er 0d0	0x04	0x3221		DC bus undervoltage
Er 0d1	0x04	0x3130		Single phasing of main power supply
Er 0d2	0x04	0x3222		No main power supply detected
Er 0E0	0x02	0x2211		Overcurrent
Er 0E1	0x02	0x2212		Intelligent Power Module (IPM) overcurrent
Er 0E2	0x02	0x2218		Power output to motor shorted to ground
Er 0E4	0x02	0x2230		Phase overcurrent
Er 0f0	0x08	0x4210		Driver overheated
Er 100	0x02	0x8311		Motor overloaded
Er 101	0x02	0x8310		Driver overloaded
Er 102	0x02	0x8301		Motor rotor blocked
Er 120	0x80	0x7701		Regenerative resistor overvoltage
Er 121	0x80	0x7702		Holding brake error
Er 122	0x80	0x7703		Regenerative resistor value too low
Er 150	0x80	0x7321		Encoder disconnected
Er 151	0x80	0x7322		Encoder communication error
Er 152	0x80	0x7323		Encoder initial position error
Er 153/Er 154	0x80	0x7325		Multiturn encoder error / Encoder parameter settings error
Er 155	0x80	0x7326		Encoder data overflow
Er 156	0x80	0x7327		Encoder overheated
Er 157	0x80	0x7328		Encoder count error
Er 170	0x80	0x7324		Encoder data error
Er 171	0x80	0x7325		Encoder parameter initialization error
Er 180	0x20	0x 8611		Excessive position deviation
Er 181				Excessive velocity deviation
Er 190	0x20	0x 8401		Motor vibration too strong
Er 1A0	0x20	0x 8402		Overspeed
Er 1A1	0x20	0x 8403		Velocity out of control
Er 1b0	0x20	0x 8612		Bus input signal dithering

Er 1b1	0x20	0x8503		Incorrect electronic gear ratio
Er 1c0	0x02	8313		Both STO failed
Er 1c1	0x02	8313		1st STO failed
Er 1c2	0x02	8313		2nd STO failed
Er 210	0x80	0x6321		I/O input interface assignment error
Er 211	0x80	0x6322		I/O input interface function assignment error
Er 212	0x80	0x6323		I/O output interface function assignment error
Er 240	0x80	0x5530		EEPROM parameters initialization error
Er 241	0x80	0x5531		EEPROM hardware error
Er 242	0x80	0x5532		Error saving alarm history record
Er 243	0x80	0x5533		Error occurred when saving vendor parameters
Er 244	0x80	0x5534		Error occurred when saving communication parameters
Er 245	0x80	0x5535		Error occurred when saving parameter 402
Er 246	0x80	0x5536		Data saving error during power-off
Er 260	0x80	0x7329		Positive/Negative position limit triggered under non-homing mode
Er 270				Analog 1 input overrun limit
Er 271				Analog 2 input overrun limit
Er 280	0x80	0x7201		Output pulse frequency too high
Er 570	0x80	0x5441		Forced alarm input valid
Er 5f0	0x80	0x7122		Motor model no. detection error
Er 5f1	0x80	0x1100		Driver power module detection error
Er 600	0x80	0x6204		Main loop interrupted timeout
Er 601	0x80	0x6204		Velocity loop interrupted timeout
Er 700	0x80	0x7001		Encryption error
Er 73A	0x10	0x873A		SyncManager2 lost
Er 73b	0x10	0x873B		SYNC0 lost
Er 73c	0x10	0x873C		Excessive Distributed Clock error
Er 801	0x10	0x8201	0x0001	Unknown communication error
Er 802	0x80	0x5510	0x0002	Memory overflow
Er 803	0x80	0x5511		RAM out of bound
Er 805	0x80	0x6202		FOE firmware upgrade failed
Er 806	0x80	0x6201		Saved ESI file does not match driver firmware

Er 811	0x10	0xA001	0x0011	Invalid EtherCAT transition request
Er 812	0x10	0xA002	0x0012	Unknown EtherCAT state machine transition request
Er 813	0x10	0x8213	0x0013	Protection request from boot state
Er 814	0x80	0x6203		Invalid firmware
Er 815	0x10	0x8215	0x0015	Invalid mailbox configuration under boot state
Er 816	0x10	0x8216	0x0016	Pre-Op status is invalid for the mailbox configuration
Er 817	0x10	0x8217		Invalid SyncManager configuration
Er 818	0x10	0x8211		No valid input data
Er 819	0x10	0x8212		No valid output data
Er 81A	0x10	0xFF02	0x871A	Synchronization error
Er 81b	0x10	0x821B	0x001B	SyncManager2 watchdog timer timeout
Er 81C	0x10	0x821C	0x001C	Invalid SyncManager type
Er 81d	0x10	0x821D	0x001D	Invalid output configuration
Er 81E	0x10	0x821E	0x001E	Invalid input configuration
Er 81f	0x10	0x821F		Watchdog configuration invalid
Er 821	0x10	0xA003	0x0021	Waiting for EtherCAT state machine Init state
Er 822	0x10	0xA004	0x0022	Waiting for the EtherCAT state machine Pre-Op state
Er 823	0x10	0xA005	0x0023	Waiting for master device for Safe-Op request
Er 824	0x10	0x8224	0x0024	Invalid process data input mapping
Er 825	0x10	0x8225	0x0025	RPDO mapping invalid (length, parameter not present, no this property)
Er 827	0x10	0x8227		Free running mode is not supported
Er 828	0x10	0x8228		Sync mode not supported
Er 82b	0x10	0x8210	0x002B	Invalid inputs and outputs
Er 82C	0x10	0x872C	0x002C	Fatal synchronization error
Er 82d	0x10	0x872D	0x002D	No synchronization error
Er 82E	0x10	0x872E	0x002E	Synchronization cycle time is too short
Er 830	0x10	0x8730	0x0030	Invalid Distributed Clock synchronization settings
Er 832	0x10	0x8732	0x0032	Distribution Clock phase-locked loop failure
Er 833	0x10	0x8733		DC sync IO error

Er 834	0x10	0x8734		DC sync timeout
Er 835	0x10	0x8735		Distribution Clock cycle time is invalid
Er 836	0x10	0x8736	0x003 6	Invalid Distribution Clock synchronization cycle time
Er 850	0x80	0x5550	0x005 0	EEPROM is inaccessible
Er 851	0x80	0x5551	0x0051	EEPROM error
Er 852	0x80	0x5552	0x005 2	Hardware is not ready
Er 860	0x80	0xFF01		EtherCAT frame lost per unit time exceeds limit
Er 870	0x80	0x5201		Driver can't be enabled under current control mode

## 8.3 Alarm Handling

*\*\*When error occurs, please solve accordingly. Then, restart.*

Error code	Main	Sub	Display: "Er 0A0"--"Er 0A1"	
		0A	0~1	Content: Circuit current detection error
Cause			Diagnosis	Solution
Motor power cable wiring error			Verify motor power cable wiring	Make sure U,V,W terminal wired properly
Main power supply undervoltage			Verify L1,L2,L3 terminal voltage	Increase main power supply voltage
Driver fault			/	Replace driver

Error code	Main	Sub	Display: "Er 0A3"	
		0A	3	Content: Motor power cable not connected
Cause			Diagnosis	Solution
Motor power cable not connected			Verify motor power cable wiring	Measure <b>resistance values between U, V, W terminals</b> , make sure the values are almost equal. If not, might be due to damaged motor or motor winding open circuit.
Motor fault			/	Replace motor
Driver fault			/	Replace driver

Error code	Main	Sub	Display: "Er 0b1"	
		0b	1	Content: Control circuit power supply abnormal
Cause			Diagnosis	Solution
USB power supply too low			Verify if USB cable is properly connected and not damaged.	Replace USB mini cable
Driver fault			/	Replace driver

Error code	Main	Sub	Display: "Er 0c0"	
		0c	0	Content: DC bus overvoltage
Cause			Diagnosis	Solution
Main power supply overvoltage			Verify L1,L2,L3 terminal voltage	Decrease main power supply voltage
Inner brake circuit damaged			/	Replace driver
Driver fault			/	Replace driver

<b>Error code</b>	Main	Sub	<b>Display: "Er 0d0"</b>
	<b>0d</b>	<b>0</b>	<b>Content: DC bus undervoltage</b>
<b>Cause</b>		<b>Diagnosis</b>	<b>Solution</b>
Main power supply undervoltage		Verify L1,L2,L3 terminal voltage	Increase main power supply voltage
L1C, L2C connected when USB cable is connected		Control circuit power on before driver initialization. Alarm might occur.	Please disconnect the USB cable before powering on control circuit.
Driver fault		/	Replace driver

<b>Error code</b>	Main	Sub	<b>Display: "Er 0d1"</b>
	<b>0d</b>	<b>1</b>	<b>Content: Single phasing of main power supply</b>
<b>Cause</b>		<b>Diagnosis</b>	<b>Solution</b>
Main power supply undervoltage		Verify L1,L2,L3 terminal voltage	Increase main power supply voltage
Main power supply wiring error		Loose connection of L1, L2, L3	Secure connections
Driver fault		/	Replace driver

<b>Error code</b>	Main	Sub	<b>Display: "Er 0d2"</b>
	<b>0d</b>	<b>2</b>	<b>Content: No main power supply detected</b>
<b>Cause</b>		<b>Diagnosis</b>	<b>Solution</b>
No main power supply		Verify L1,L2,L3 terminal voltage	1. Increase main power supply voltage 2. Secure connections
Driver fault		/	Replace driver



Error code	Main	Sub	Display: "Er 0E0"	
	0E	0	Content: Overcurrent	
Cause			Diagnosis	Solution
Driver power output short circuit			Verify if there is short circuit between UVW terminals, or shorted to PG.	1. Make sure there is no circuit. 2. Make sure motor is not damaged
Motor wiring error			Verify motor wiring	Reconnect motor wiring
IGBT module short circuit			Disconnect motor output cable. Then, enable servo driver to check for overcurrent	Replace driver
Excessive motor load			Verify if motor torque output is too high	1. Reduce load 2. Add a gearbox
Excessive acceleration and deceleration			Verify if acceleration and deceleration duration time are too low	Increase acceleration and deceleration duration time
Motor wiring short circuit			Connect motor power cable to driver power output. Verify if resistance value of UVW to PE is equal and if there is short circuit	Replace motor

Error code	Main	Sub	Display: "Er 0E1"	
	0E	1	Content: Intelligent Power Module (IPM) overcurrent	
Cause			Diagnosis	Solution
Driver power output short circuit			Verify if there is short circuit between UVW terminals, or shorted to PG.	1. Make sure there is no circuit. 2. Make sure motor is not damaged
Motor wiring error			Verify motor wiring	Reconnect motor wiring
IGBT module short circuit			Disconnect motor output cable. Then, enable servo driver to check for overcurrent	Replace driver
IGBT module undervoltage			/	Replace driver
Excessive motor load			Verify if motor torque output is too high	1. Reduce load 2. Add a gearbox
Excessive acceleration and deceleration			Verify if acceleration and deceleration duration time are too low	Increase acceleration and deceleration duration time
Motor wiring short circuit			Connect motor power cable to driver power output. Verify if resistance value of UVW to PE is equal and if there is short circuit	Replace motor

Error code	Main	Sub	Display: "Er 0E2"	
	0E	2	Content: Power output to motor shorted to ground	
Cause			Diagnosis	Solution
Driver U, V, W terminals shorted to ground			Disconnect motor power cable and check for short circuit between driver UVW and PE	1. Reconnect wiring. 2. Change motor power cable.
Motor shorted to ground			Connect motor power cable to driver power output. Verify if resistance value of UVW to PE is in the range of MegaOhm (MΩ)	Replace motor
Driver fault			/	Replace driver

Error code	Main	Sub	Display: "Er 0E4"	
	0E	2	Content: Phase overcurrent	
Cause			Diagnosis	Solution
Driver U, V, W terminals shorted to ground			Disconnect motor power cable and check for short circuit between driver UVW and PE	1. Reconnect wiring. 2. Change motor power cable.
Motor shorted to ground			Connect motor power cable to driver power output. Verify if resistance value of UVW to PE is equal and if there is short circuit	Replace motor
Driver fault			/	Replace driver

Error code	Main	Sub	Display: "Er 0F0"	
	0F	0	Content: Driver overheated	
Cause			Diagnosis	Solution
Temperature of power module exceeded upper limit			Measure the temperature of driver radiator.	1. Improve cooling condition. Please check installation guide; 2. Replace driver and motor with higher power rating; 3. Increase duration time for acceleration and deceleration; 4. Decrease load

Error code	Main	Sub	Display: "Er 100"	
	10	0	Content: Motor overloaded	
Cause			Diagnosis	Solution
Load too heavy			Verify if actual load exceeds maximum value allowed	1. Decrease load 2. Adjust limit values
Strong mechanical vibration			Look for mechanical vibration from machine system	1. Adjust gain value of control loop 2. Increase duration time for acceleration and deceleration
Motor or encoder cable wiring error			Verify motor and encoder wiring	1. Reconnect wiring 2. Replace motor and encoder cable
Holding brake engaged			Verify holding brake terminal voltage	Cut off holding brake

<b>Error code</b>	Main	Sub	<b>Display: "Er 102"</b>
	10	2	<b>Content: Motor rotor blocked</b>
<b>Cause</b>		<b>Diagnosis</b>	<b>Solution</b>
Motor rotor blocked		Look for mechanical blockages	Check the machinery
Motor rotor blocking time threshold value too low		Verify value of Pr6.57	Adjust value of Pr6.57

<b>Error code</b>	Main	Sub	<b>Display: "Er 120"</b>
	12	0	<b>Content: Regenerative resistor overvoltage</b>
<b>Cause</b>		<b>Diagnosis</b>	<b>Solution</b>
Regenerative energy exceeded capacity of regenerative resistor		1. Verify if velocity is too high 2. Verify if load is too large	1. Decrease motor rotational velocity; 2. Decrease load inertia; 3. Add an external regenerative resistor;
Power supply voltage too high		1. Verify if power supply voltage is within the rated range. 2. Interval regenerative resistor value is too low	1. Decrease power supply voltage 2. Increase regeneration resistance value(add external regenerative resistor)
Unstable power supply voltage		Verify if power supply voltage is stable	Add a surge suppressor to main power supply.
Regenerative energy discharge circuit damaged		/	1. Add an external regenerative resistor; 2. Replace driver

<b>Error code</b>	Main	Sub	<b>Display: "Er 121"</b>
	12	1	<b>Content: Holding brake error</b>
<b>Cause</b>		<b>Diagnosis</b>	<b>Solution</b>
Holding brake circuit damaged		Regenerative resistor disconnected	Replace regenerative resistor
		Holding brake IGBT damaged	Replace driver

<b>Error code</b>	Main	Sub	<b>Display: "Er 122"</b>
	12	2	<b>Content: Regenerative resistor value too low</b>
<b>Cause</b>		<b>Diagnosis</b>	<b>Solution</b>
External regenerative resistor value is less than the minimum value allowed by the drive		/	Replace the regenerative resistor with the right resistance value which meets the specification of the driver

<b>Error code</b>	Main	Sub	<b>Display: "Er 150"</b>
	15	0	<b>Content: Encoder disconnected</b>
<b>Cause</b>		<b>Diagnosis</b>	<b>Solution</b>
Encoder cable disconnected		Verify encoder cable connection	Make sure encoder cable properly connected
Encoder cable wiring error		Verify if encoder wiring is correct	Reconnect encoder wiring
Encoder damaged		/	Replace motor
Encoder measuring circuit damaged		/	Replace driver

<b>Error code</b>	Main	Sub	<b>Display: "Er 151"</b>
	15	1	<b>Content: Encoder communication error</b>
<b>Cause</b>		<b>Diagnosis</b>	<b>Solution</b>
Encoder wire shielding layer is missing		Verify if encoder cable has shielding layer	Replace with standard encoder cable
Encoder cable wiring error		Verify if encoder wiring is correct	Reconnect encoder wiring
Encoder damaged		/	Replace motor

<b>Error code</b>	Main	Sub	<b>Display: "Er 152"</b>
	15	2	<b>Content: Encoder initial position error</b>
<b>Cause</b>		<b>Diagnosis</b>	<b>Solution</b>
Communication data abnormal		1. Verify if encoder power supply voltage is $DC5V \pm 5\%$ ; 2. Verify if encoder cable and shielded layer is not damaged; 3. Verify if encoder cable is close to high-powered power supply cable	1. Make sure encoder power supply voltage is stable 2. Make sure encoder cable is not damaged. 3. Make sure encoder cable shielded layer is grounded to frame 4. Make sure encoder cable is away from high-powered power supply cable
Encoder damaged		/	Replace motor
Encoder measuring circuit damaged		/	Replace driver

Error code	Main	Sub	Display: "Er 153"	
	15	3	Content: Multiturn encoder error	
Cause			Diagnosis	Solution
Initial use			Origin calibration not performed	Perform origin positioning and multiturn position initialization, calibrate the origin of coordinate system.
Encoder without multiturn absolute function used			Verify if encoder has multiturn absolute function	1. Replace the motor with a multiturn absolute encoder. 2. Set Pr0.15 = 0 to deactivate multiturn absolute function.
Low battery power			Replace battery and restart driver to clear alarm	Replace battery
Battery has no power or has been dismantled			Alarm not cleared after replacing battery and restart	Absolute position lost. Return to origin and perform multiturn initialization, calibrate the origin of coordinate system

Error code	Main	Sub	Display: "Er 154"	
	15	4	Content: Encoder parameter settings error	
Cause			Diagnosis	Solution
Absolute encoder mode is incorrectly set.			Verify if encoder has multi-turn absolute value function.	Modify absolute encoder mode settings

Error code	Main	Sub	Display: "Er 155"	
	15	5	Content: Encoder data overflow	
Cause			Diagnosis	Solution
Encoder data overflow			Verify if encoder is not damaged	Initialize multiturn data
Absolute value applications, motor rotates in one direction			Verify if encoder is not damaged	Adjust absolute value application mode, set to turntable mode

Error code	Main	Sub	Display: "Er 156"	
	15	6	Content: Encoder overheated	
Cause			Diagnosis	Solution
The encoder temperature is too high.			Verify if motor temperature is too high	Reduce encoder temperature.

Error code	Main	Sub	Display: "Er 157"
	15	7	Content: Encoder counter error
Cause		Diagnosis	Solution
Encoder data overflow		Verify if encoder is not damaged	Initialize multiturn data
Absolute value applications, motor rotates in one direction		Verify if encoder is not damaged	Adjust absolute value application mode, set to turntable mode

Error code	Main	Sub	Display: "Er 170"
	17	0	Content: Encoder data error
Cause		Diagnosis	Solution
Communication data abnormal		1. Verify if encoder power supply voltage is $DC5V \pm 5\%$ ; 2. Verify if encoder cable and shielded layer is not damaged; 3. Verify if encoder cable is close to high-powered power supply cable	1. Make sure encoder power supply voltage is stable 2. Make sure encoder cable is not damaged. 3. Make sure encoder cable shielded layer is grounded to frame 4. Make sure encoder cable is away from high-powered power supply cable
Encoder damaged		/	Replace motor
Encoder measuring circuit damaged		/	Replace driver

Error code	Main	Sub	Display: "Er 171"
	17	1	Content: Encoder parameter initialization error
Cause		Diagnosis	Solution
Driver and motor not matched		Verify driver and motor models.	Replace with matching driver and motor
Error while getting parameters from encoder		1. Verify if encoder cable is standard. 2. Verify if encoder has no peeled insulator, broken connection or improper contact.	Use standard encoder cable, verify the connection of both sides of driver and motor, change encoder cable if necessary

Error code	Main	Sub	Display: "Er 180"
		18	0
Cause		Diagnosis	Solution
Improper position deviation settings		Verify if value of Pr_014 is too low	Increase value of Pr_014
Position gain setting too low		Verify if values of Pr1.00 & Pr1.05 are too low	Increase values of Pr1.00 & Pr1.05
Torque limit too low		Verify if values of Pr0.13 & Pr5.22 are too low	Increase values of Pr0.13 & Pr5.22
Excessive external load		1. Verify if acceleration and deceleration duration time is too low. 2. Verify if rotational velocity is too high 3. Verify if load is too large	1. Increase duration time for acceleration and deceleration 2. Decrease rotational velocity 3. Decrease load

Error code	Main	Sub	Display: "Er 181"
		18	1
Cause		Diagnosis	Solution
Deviation between set velocity and actual velocity is too great		Verify if value of Pr6.02 is too low	1. Increase value of Pr6.02; 2. Set Pr6.02 to 0, position error detection off.
Acceleration and deceleration duration time for set velocity is too low		Verify if value of Pr3.12 and Pr3.13 are too low	1. Increase value of Pr3.12, Pr3.13; 2. Adjust velocity gain to reduce velocity lag error

Error code	Main	Sub	Display: "Er 190"
		19	0
Cause		Diagnosis	Solution
Motor velocity fluctuates too much		Verify if Pr0.03 is too large	Decrease value of Pr0.03

Error code	Main	Sub	Display: "Er 1A0"
		1A	0
Cause		Diagnosis	Solution
Motor velocity exceeded first speed limit (Pr3.21)		1. Verify if velocity command is too high; 2. Verify if simulated velocity command voltage is too high; 3. Verify if parameter value of Pr3.21 is too low; 4. Verify if input frequency and division frequency coefficient of pulse train is proper; 5. Verify if encoder is wired correctly	1. Adjust velocity input command; 2. Increase Pr3.21 value; 3. Adjust pulse train input frequency and division frequency coefficient; 4. Verify encoder wiring;

<b>Error code</b>	Main	Sub	<b>Display: "Er 1A1"</b>
	1A	1	<b>Content:</b> Velocity out of control
Cause		Diagnosis	Solution
Motor velocity out of control, Excessive velocity error		Verify encoder phase sequence; Verify if UVW cable is connected to the right terminal	Reconnect UVW if wrongly connected. If still remains unsolved, please contact technical support.

<b>Error code</b>	Main	Sub	<b>Display: "Er 1b0"</b>
	1b	0	<b>Content:</b> Bus input signal dithering
Cause		Diagnosis	Solution
Controller synchronization dithering		/	Increase alarm threshold value

<b>Error code</b>	Main	Sub	<b>Display: "Er 1b1"</b>
	1b	1	<b>Content:</b> Incorrect electronic gear ratio
Cause		Diagnosis	Solution
Values out of range		Numerator or denominator is zero/Set values out of range	Reduce number of pulses per revolution

<b>Error code</b>	Main	Sub	<b>Display: "Er 1c0"</b>
	1c	0	<b>Content:</b> Both STO failed
Cause		Diagnosis	Solution
Both STO input signals valid		Verify if STO power supply is normal	Verify 24V STO power supply and power cable connection
		Disconnect switch connected to STO	Close switch

<b>Error code</b>	Main	Sub	<b>Display: "Er 1c1"</b>
	1c	1	<b>Content:</b> 1st STO failed
Cause		Diagnosis	Solution
1st STO input signal valid		Verify if STO power supply is normal	Verify 24V STO power supply and power cable connection
		Disconnect switch connected to STO	Close switch

<b>Error code</b>	Main	Sub	<b>Display: "Er 1c2"</b>
	1c	2	<b>Content:</b> 2nd STO failed
Cause		Diagnosis	Solution
2nd STO input signal valid		Verify if STO power supply is normal	Verify 24V STO power supply and power cable connection
		Disconnect switch connected to STO	Close switch



<b>Error code</b>	Main	Sub	<b>Display: "Er 210"</b>
	21	0	<b>Content:</b> I/O input interface assignment error
<b>Cause</b>		<b>Diagnosis</b>	<b>Solution</b>
Input signal assigned with two or more functions.		Verify values of Pr4.00-Pr4.09, Pr4.44-4.47	Set proper values for Pr4.00-Pr4.09, Pr4.44-4.47

<b>Error code</b>	Main	Sub	<b>Display: "Er 211"</b>
	21	1	<b>Content:</b> I/O input interface function assignment error
<b>Cause</b>		<b>Diagnosis</b>	<b>Solution</b>
Input signal assignment error		Verify values of Pr4.00-Pr4.09, Pr4.44-4.47	Set proper values for Pr4.00-Pr4.09, Pr4.44-4.47

<b>Error code</b>	Main	Sub	<b>Display: "Er 212"</b>
	21	2	<b>Content:</b> I/O output interface function assignment error
<b>Cause</b>		<b>Diagnosis</b>	<b>Solution</b>
Input signal assigned with two or more functions.		Verify values of Pr4.10-Pr4.15	Set proper values for Pr4.10-Pr4.15
Input signal not assigned		Verify values of Pr4.10-Pr4.15	Set proper values for Pr4.10-Pr4.15

<b>Error code</b>	Main	Sub	<b>Display: "Er 240"</b>
	24	0	<b>Content:</b> EEPROM parameters initialization error
<b>Cause</b>		<b>Diagnosis</b>	<b>Solution</b>
Error during initial reading of EEPROM parameters		Restart after changing any parameter. Verify if the parameter is saved.	If parameter not saved after several restarts, please change driver

<b>Error code</b>	Main	Sub	<b>Display: "Er 241"</b>
	24	1	<b>Content:</b> EEPROM hardware error
<b>Cause</b>		<b>Diagnosis</b>	<b>Solution</b>
EEPROM damaged		Verify if multiple storages are the same	Replace driver/Upgrade software

<b>Error code</b>	Main	Sub	<b>Display: "Er 242"</b>
	24	2	<b>Content:</b> Error saving alarm history record
<b>Cause</b>		<b>Diagnosis</b>	<b>Solution</b>
Power-off during saving		Verify alarm during power-off	Power lost after alarm appears
Several different alarms in a row		Verify alarm code	Figure out other alarm causes
EEPROM damaged		Verify if it is the same over several times	Replace driver/Upgrade software

<b>Error code</b>	Main	Sub	<b>Display: "Er 243"</b>
	24	3	<b>Content:</b> Error occurred when saving vendor parameters
<b>Cause</b>			<b>Diagnosis</b>
Power-off before data saved			--
EEPROM damaged			Restart driver for a few times
			<b>Solution</b>
Power-off before data saved			Wait until data saved successfully before powering off
EEPROM damaged			Restart driver for a few times

<b>Error code</b>	Main	Sub	<b>Display: "Er 244"</b>
	24	4	<b>Error description:</b> Error occurred when saving communication parameters
<b>Cause</b>			<b>Diagnosis</b>
Power-off before data saved			--
EEPROM damaged			Restart driver for a few times
			<b>Solution</b>
Power-off before data saved			Wait until data saved successfully before powering off
EEPROM damaged			Restart driver for a few times

<b>Error code</b>	Main	Sub	<b>Display: "Er 245"</b>
	24	5	<b>Error description:</b> Error occurred when saving parameter 402
<b>Cause</b>			<b>Diagnosis</b>
Power-off before data saved			--
EEPROM damaged			Restart driver for a few times
			<b>Solution</b>
Power-off before data saved			Wait until data saved successfully before powering off
EEPROM damaged			Restart driver for a few times

<b>Error code</b>	Main	Sub	<b>Display: "Er 246"</b>
	24	6	<b>Error description:</b> Data saving error during power-off
<b>Cause</b>			<b>Diagnosis</b>
Power off too fast			--
EEPROM damaged			Restart driver for a few times
			<b>Solution</b>
Power off too fast			Upgrade software
EEPROM damaged			Restart driver for a few times

<b>Error code</b>	Main	Sub	<b>Display: "Er 260"</b>
	26	0	<b>Error description:</b> Positive/Negative position limit triggered under non-homing mode
<b>Cause</b>			<b>Diagnosis</b>
Positive/negative position limit triggered			Verify position limit signal
			<b>Solution</b>
Positive/negative position limit triggered			/

<b>Error code</b>	Main	Sub	<b>Display: "Er 280"</b>
	28	0	<b>Error description:</b> Output pulse frequency too high
<b>Cause</b>			<b>Diagnosis</b>
Frequency divided pulse output exceeds 1MHz			Verify if motor rotational speed and the number of frequency divided pulse output are too high
			<b>Solution</b>
Frequency divided pulse output exceeds 1MHz			Reduce the number of frequency divided pulse output or reduce rotational speed

<b>Error code</b>	Mai	Sub	<b>Display: "Er 570"</b>
	57	0	<b>Error description:</b> Forced alarm input valid
<b>Cause</b>		<b>Diagnosis</b>	<b>Solution</b>
Forced alarm input signal occurred		Verify forced alarm input signal	Verify if the input wiring connection is correct

<b>Error code</b>	Main	Sub	<b>Display: "Er 5F0"</b>
	5F	0	<b>Content:</b> Motor model no. detection error
<b>Cause</b>		<b>Diagnosis</b>	<b>Solution</b>
Automatically detected motor doesn't match set motor		/	Please contact our technical support

<b>Error code</b>	Main	Sub	<b>Display: "Er 5F1"</b>
	5F	1	<b>Error description:</b> Driver power module detection error
<b>Cause</b>		<b>Diagnosis</b>	<b>Solution</b>
Driver power rating not within range.		Restart driver	Please contact our technical support

<b>Error code</b>	Main	Sub	<b>Display: "Er 600"</b>
	60	0	<b>Error description:</b> Main loop interrupted timeout
<b>Cause</b>		<b>Diagnosis</b>	<b>Solution</b>
The motor control loop calculation time overflow		Check for interference from devices releasing electromagnetic field	Ground driver and motor to reduce interference
		Restart driver	Replace driver

<b>Error code</b>	Main	Sub	<b>Display: "Er 601"</b>
	60	1	<b>Error description:</b> Velocity loop interrupted timeout
<b>Cause</b>		<b>Diagnosis</b>	<b>Solution</b>
Motor control loop calculation time overflow		Verify if encoder connection is and that the encoder cable is too not long (more than 20 meters)	Replace encoder cable if necessary
		Restart driver	Replace the drive with a new one

<b>Error code</b>	Main	Sub	<b>Display: "Er 700"</b>
	<b>70</b>	<b>0</b>	<b>Error description: Encryption error</b>
<b>Cause</b>		<b>Diagnosis</b>	<b>Solution</b>
Encryption error during initialization upon power-on.		Restart driver	Please contact our technical support

## 8.4 Alarm clearing

### 8.4.1 Servo Drive Alarm

For alarm can be cleared , There are 3 method.

#### Method 1 :

- 1、 By setting bit 7 of 6040h to 1, switches state machine from fault to initialization completion , No fault(Switch on disabled).

#### Method 2 :

Use auxiliary function "AF\_ACL"

- 1、 Press M to select auxiliary function , Press SET to enter into "AF\_ACL" , Press and hold to clear the alarm

#### Method 3 :

Set IO input function as Alarm clear input " (A-CLR)" , refer to switch input interface connection to clear the alarm.

## 8.5 EtherCAT Communication Alarm

EtherCAT communication related alarms are erasable and will not be recorded in alarm history.

Clearing EtherCAT communication alarm is similar to clearing servo driver alarm. Please clear the alarm before switching to 402 machine state.

EtherCAT communication alarm however, relies on register clearance from the main station. Can be solved according to following steps:

- 1、 Set bit 4 of ESC control register 0x120 (error responder) to 1.
  
- 2、 The communication alarm can be cleared until the feedback of the ESC status code register 0x134~0x135 is 0.
  
- 3、 By setting bit 7 of 6040h to 1, switches state machine from fault to initialization completion , No fault(Switch on disabled).

Error code	Main	Sub	Display: "Er 73A"	
		73	A	Error description: SyncManager2 lost
Cause			Diagnosis	Solution
Poor master performance			--	Increase the alarm threshold
Single-unit drive has problem			Is it a single unit or multiple units together in the network	Switch drive
Interfere			Check the grounding and network wiring quality	Replace the network cable

Error code	Main	Sub	Display: "Er 73b"	
		73	B	Error description: SYNC0 lost
Cause			Diagnosis	Solution
Poor master performance			--	Increase threshold value limit
Single-unit drive has problem			Is it a single unit or multiple units together in the network	Switch drive
interfere			Check the grounding and network wiring quality	Replace the network cable

<b>Error code</b>	Main	Sub	<b>Display: "Er 73c"</b>
	<b>73</b>	<b>C</b>	<b>Error description: Excessive Distributed Clock error</b>
<b>Cause</b>		<b>Diagnosis</b>	<b>Solution</b>
Poor master device performance		--	Increase threshold value limit
Single-unit drive has problem		Is it a single unit or multiple units together in the network	Replace driver
interfere		Check the grounding and network wiring quality	Replace network cable

<b>Error code</b>	Main	Sub	<b>Display: "Er 801"</b>
	<b>80</b>	<b>1</b>	<b>Error description: Unknown communication error</b>
<b>Cause</b>		EtherCAT state machine transition failed	
The status of the error can be detected		All ESM status	
The result status		The current state is maintained below the safe operation, and the operation state is switched to the safe operation state	
Solution		Verify network connection and master device EtherCAT state machine transition order	

<b>Error code</b>	Main	Sub	<b>Display: "Er 802"</b>
	<b>80</b>	<b>2</b>	<b>Error description: Memory overflow</b>
<b>Cause</b>		CPU failed to request memory	
The status of the error can be detected		All ESM status	
The result status		The current state is maintained below the safe operation, and the operation state is switched to the safe operation state	
Solution		Verify if EL7EC hardware is faulty	

<b>Error code</b>	Main	Sub	<b>Display: "Er 803"</b>
	<b>80</b>	<b>3</b>	<b>Error description: RAM out of bound</b>
<b>Cause</b>		EtherCAT state machine memory address access request from master device is out of bound	
The status of the error can be detected		All communication status	
The result status		NO	
Solution		Verify master device configuration or replace master device	

<b>Error code</b>	Main	Sub	<b>Display: "Er 805"</b>
	<b>80</b>	<b>5</b>	<b>Error description: FOE firmware upgrade failed</b>
Cause			Firmware burn error
The status of the error can be detected			BOOT
The result status			Remain in the detection state
Solution			Replace firmware/driver

<b>Error code</b>	Main	Sub	<b>Display: "Er 806"</b>
	<b>80</b>	<b>6</b>	<b>Error description: Saved ESI file does not match driver firmware</b>
Cause			ESI file does not match driver firmware
The status of the error can be detected			INIT
The result status			Remain in the detection state
Solution			Burn matching firmware to driver

<b>Error code</b>	Main	Sub	<b>Display: "Er 811"</b>
	<b>81</b>	<b>1</b>	<b>Error description: Invalid EtherCAT transition request</b>
Cause			Driver received unconvertible request from EtherCAT state machine
The status of the error can be detected			All ESM Status
The result status			The current state is maintained below the safe operation, and the operation state is switched to the safe operation state
Solution			Verify if the transition information from master device is correct

<b>Error code</b>	Main	Sub	<b>Display: "Er 812"</b>
	<b>81</b>	<b>2</b>	<b>Error description: Unknown EtherCAT state machine transition request</b>
Cause			Driver receives a transition request other than states of the EtherCAT state machine
The status of the error can be detected			All ESM Status
The result status			The current state is maintained below the safe operation, and the operation state is switched to the safe operation state
Solution			Verify transition information from master device

<b>Error code</b>	Main	Sub	<b>Display: "Er 813"</b>
	81	3	<b>Error description:</b> Protection request from boot state
Cause			Driver receives a transition request to boot state
The status of the error can be detected			Initialize the conversion to a boot
The result status			initialization
Solution			Verify if driver software version supports this state transition

<b>Error code</b>	Main	Sub	<b>Display: "Er 814"</b>
	81	4	<b>Error description:</b> Invalid firmware
Cause			Firmware not matched with driver
The status of the error can be detected			BOOT/INIT
The result status			Keeping in the detection status
Solution			Return driver to supplier to update firmware

<b>Error code</b>	Main	Sub	<b>Display: "Er 815"</b>
	81	5	<b>Error description:</b> Invalid mailbox configuration under boot state
Cause			Boot state action not supported under current configuration
The status of the error can be detected			Initialize the conversion to a boot
The result status			Initialization
Solution			Verify if EL7EC software version supports action under this state.

<b>Error code</b>	Main	Sub	<b>Display: "Er 816"</b>
	81	6	<b>Error description:</b> Pre-Op status is invalid for the mailbox configuration
Cause			The synchronization manager configuration under Pre-Op is invalid
The status of the error can be detected			pre-operation
The result status			initialization
Solution			<ol style="list-style-type: none"> <li>1. Verify if XML file version is consistent with software version</li> <li>2. EtherCAT slave controller error, please contact technical support</li> </ol>



<b>Error code</b>	Main	Sub	<b>Display: "Er 817"</b>
	81	7	<b>Error description:</b> Invalid SyncManager configuration
Cause			Synchronization manager configuration is invalid
The status of the error can be detected			Pre-op above
The result status			Pre-op
Solution			Verify master device configuration/ESI file version

<b>Error code</b>	Main	Sub	<b>Display: "Er 818"</b>
	81	8	<b>Error description:</b> No valid input data
Cause			The input data is not updated for more than 1 second
The status of the error can be detected			All ESM status
The result status			The current state is maintained below the safe operation, and the operation state is switched to the safe operation state
Solution			1. Verify if TxPDO is valid 2. Verify master device synchronization settings

<b>Error code</b>	Main	Sub	<b>Display: "Er 819"</b>
	81	9	<b>Error description:</b> No valid output data
Cause			Output data is not updated for more than 1 second
The status of the error can be detected			All ESM status
The result status			The current state is maintained below the safe operation, and the operation state is switched to the safe operation state
Solution			1. Verify if RxPDO is valid 2. Verify master device synchronization settings

<b>Error code</b>	Main	Sub	<b>Display: "Er 81A"</b>
	81	A	<b>Error description:</b> Synchronization error
Cause			RxPDO and DC update order failed or one of them is not updated in sync
The status of the error can be detected			All ESM status
The result status			The current state is maintained below the safe operation, and the operation state is switched to the safe operation state
Solution			1. Verify if PXPDO is valid 2. Verify master device synchronization settings

<b>Error code</b>	Main	Sub	<b>Display: "Er 81b"</b>
	81	b	<b>Error description:</b> SyncManager2 watchdog timer timeout
Cause			The RxPDO update timeout in operational state
The status of the error can be detected			operation
The result status			Safe operation
Solution			<ol style="list-style-type: none"> <li>1. Verify if EL7EC network is connected</li> <li>2. Verify RxPDO update time</li> </ol>

<b>Error code</b>	Main	Sub	<b>Display: "Er 81c"</b>
	81	c	<b>Error description:</b> Invalid SyncManager type
Cause			Synchronization Manager configuration types other than the following: <ol style="list-style-type: none"> <li>1. Email output</li> <li>2. Email input</li> <li>3. Process data output</li> <li>4. Process data input</li> </ol>
The status of the error can be detected			Pre-operation
The result status			Initialize
Solution			Verify if XML file version is consistent with software version

<b>Error code</b>	Main	Sub	<b>Display: "Er 81d"</b>
	81	d	<b>Error description:</b> Invalid output configuration
Cause			Process data output synchronization manager configuration is invalid
The status of the error can be detected			Pre-operation
The result status			Initialize
Solution			<ol style="list-style-type: none"> <li>1. Verify EL7EC synchronization manager configuration</li> <li>2. Verify if XML file version is consistent with software version</li> </ol>

<b>Error code</b>	Main	Sub	<b>Display: "Er 81E"</b>
	81	E	<b>Error description:</b> Invalid input configuration
Cause			Process data input synchronization manager configuration is invalid
The status of the error can be detected			Pre-operation
The result status			Initialize
Solution			<ol style="list-style-type: none"> <li>1. Verify EL7EC synchronization manager configuration</li> <li>2. Verify if XML file version is consistent with software version</li> </ol>

<b>Error code</b>	Main	Sub	<b>Display: "Er 821"</b>
	82	1	<b>Error description:</b> Waiting for EtherCAT state machine Init state
Cause			Driver waiting for master device to send Init request
The status of the error can be detected			All ESM status
The result status			Keeping the current state
Solution			Verify transition request sent from master device

<b>Error code</b>	Main	Sub	<b>Display: "Er 822"</b>
	82	2	<b>Error description:</b> Waiting for the EtherCAT state machine Pre-Op state
Cause			Driver waiting for master device to send Pre-Op request
The status of the error can be detected			Safe operation, operation
The result status			Keeping the current state
Solution			Verify transition request sent from master device

<b>Error code</b>	Main	Sub	<b>Display: "Er 823"</b>
	82	3	<b>Error description:</b> Waiting for master device for Safe-Op request
Cause			Process data output synchronization manager configuration is invalid
The status of the error can be detected			Operation
The result status			Keeping the current state
Solution			Verify transition request sent from master device

<b>Error code</b>	Main	Sub	<b>Display: "Er 824"</b>
	82	4	<b>Error description:</b> Invalid process data input mapping
Cause			TxPDO is configured with non-mappable objects
The status of the error can be detected			Safe operation
The result status			Pre-operation
Solution			Reconfigure the TxPDO mapping object

<b>Error code</b>	Main	Sub	<b>Display: "Er 825"</b>
	<b>82</b>	<b>5</b>	<b>Error description: Invalid process data output mapping</b>
Cause			RxPDO is configured with non-mappable objects
The status of the error can be detected			Safe operation
The result status			Pre-operation
Solution			Reconfigure the RxPDO mapping object

<b>Error code</b>	Main	Sub	<b>Display: "Er 828"</b>
	<b>82</b>	<b>8</b>	<b>Error description: Sync mode not supported</b>
Cause			Sync mode is not supported in the current configuration
The status of the error can be detected			Safe operation
The result status			Pre-operation
Solution			1. Verify L7EC software version 2. Verify XML version

<b>Error code</b>	Main	Sub	<b>Display: "Er 82b"</b>
	<b>82</b>	<b>b</b>	<b>Error description: Invalid inputs and outputs</b>
Cause			No RxPDO and TxPDO updates for more than 1 second
The status of the error can be detected			All ESM status
The result status			The current state is maintained below the safe operation, and the operation state is switched to the safe operation state
Solution			1. Verify if current RxPDO and TxPDO are invalid 2. Verify master device synchronization settings

<b>Error code</b>	Main	Sub	<b>Display: "Er 82c"</b>
	<b>82</b>	<b>c</b>	<b>Error description: Fatal synchronization error</b>
Cause			DC watchdog timer timeout
The status of the error can be detected			Safe operation, operation
The result status			Safe operation
Solution			1. Verify if EL7EC hardware is faulty 2. Verify DC setting and delay

<b>Error code</b>	Main	Sub	<b>Display: "Er 82d"</b>
	<b>82</b>	<b>d</b>	<b>Error description: No synchronization error</b>
Cause			Synchronization is invalid
The status of the error can be detected			operation
The result status			Safe operation
Solution			1. Verify if "fatal synchronization error" has occurred. 2. Verify master device synchronization settings

<b>Error code</b>	Main	Sub	<b>Display: "Er 82E"</b>
	<b>82</b>	<b>E</b>	<b>Error description: Synchronization cycle time is too short</b>
Cause			Master device synchronization cycle time is set to less than 125 microseconds
The status of the error can be detected			operation
The result status			Pre-operation
Solution			Verify master device synchronization cycle time

<b>Error code</b>	Main	Sub	<b>Display: "Er 830"</b>
	<b>83</b>	<b>0</b>	<b>Error description: Invalid Distributed Clock synchronization settings</b>
Cause			Synchronization settings in sync mode are not valid
The status of the error can be detected			Safe operation
The result status			Pre-operation
Solution			Verify master device synchronization settings

<b>Error code</b>	Main	Sub	<b>Display: "Er 832"</b>
	<b>83</b>	<b>2</b>	<b>Error description: Distribution Clock phase-locked loop failure</b>
Cause			Distribution Clock phase-locked loop setting is invalid
The status of the error can be detected			Safe operation, operation
The result status			Safe operation
Solution			Verify master device Distribution Clock settings and network transmission delay

<b>Error code</b>	Main	Sub	<b>Display: "Er 835"</b>
	83	5	<b>Error description:</b> Distribution Clock cycle time is invalid
Cause			Set synchronization cycle time is not proportional to drive position loop
The status of the error can be detected			Safe operation
The result status			Pre-operation
Solution			Refer to user manual to set a reasonable synchronization cycle time.

<b>Error code</b>	Main	Sub	<b>Display: "Er 836"</b>
	83	6	<b>Error description:</b> Invalid Distribution Clock synchronization cycle time
Cause			The synchronization cycle time setting is not as the following 1 : 125us 2 : 250us 3 : 500us 4 : 750us 5 : 1000us 6 : 2000us 7 : 4000us
The status of the error can be detected			Safe operation
The result status			Pre-operation
Solution			Verify master device synchronization cycle time

<b>Error code</b>	Main	Sub	<b>Display: "Er 850"</b>
	85	0	<b>Error description:</b> EEPROM is inaccessible
Cause			EtherCAT slave controller failed to access EEPROM
The status of the error can be detected			All ESM status
The result status			Keeping the current state
Solution			1. Verify if EL7EC hardware is faulty 2. Verify if master device released access

<b>Error code</b>	Main	Sub	<b>Display: "Er 851"</b>
	85	1	<b>Error description:</b> EEPROM error
Cause			EEPROM operation of EtherCAT slave controller failed
The status of the error can be detected			All ESM status
The result status			Keeping the current state
Solution			Verify if master device released access

<b>Error code</b>	Main	Sub	<b>Display: "Er 852"</b>
	<b>85</b>	<b>2</b>	<b>Error description: Hardware is not ready</b>
Cause			Data communication lost
The status of the error can be detected			All ESM status
The result status			Keeping the current state
Solution			Verify if EL7-EC hardware is faulty

<b>Error code</b>	Main	Sub	<b>Display: "Er 860"</b>
	<b>86</b>	<b>0</b>	<b>Error description: EtherCAT frame lost per unit time exceeds limit</b>
Cause			EtherCAT frame lost per unit time exceeds the setting in 2635-00h
The status of the error can be detected			All status
The result status			Keeping the detection state
Solution			Change to network cable with higher bandwidth / Replace driver

<b>Error code</b>	Main	Sub	<b>Display: "Er 870"</b>
	<b>87</b>	<b>0</b>	<b>Error description: Driver can't be enabled under current control mode</b>
Cause			Enable driver under unsupported mode
The status of the error can be detected			All status
The result status			Maintain status
Solution			Switch to the correct control mode

## About Us

### Leadshine Technology Co., Ltd.

#### Headquarters

Address:

15-20/F, Block B, Nanshan I Valley, No.3157, Nanshan District,  
Shenzhen City, Guangdong Province, China

Tel:

+86 755 26411692

Fax:

+86 755 26402718

Website:

[www.leadshine.com](http://www.leadshine.com)

Emails:

[sales@leadshine.com](mailto:sales@leadshine.com)

#### Leadshine Global Retailers Network



*Get in touch with us or any of your local Leadshine certified retailers by visiting our global website.*

#### Technical Support

Tel: 86-755-2641-8447

86-755-2641-8774 (Asia, Australia, Africa)

86-755-2665-5136 (North and South America)

86-755-8654-2465 (Europe)

Fax: 86-755-2640-2718

Email: [tech@leadshine.com](mailto:tech@leadshine.com)

#### Sales Hot Line

Tel: 86-755-2641-7674 (Asia, Australia, Africa)

86-755-2641-7617 (North and South America)

86-755-2640-9254 (Europe)

Email: [sales@leadshine.com](mailto:sales@leadshine.com)

#### Leadshine Overseas



#### Leadshine America, Inc.

North America

Office

Address:

26050 Towne

Centre Dr.

Foothill

Ranch California

United States

Tel:

1-949-608-7270

Fax:

1-949-638-7298

Website:

[www.leadshineusa.com](http://www.leadshineusa.com)

Emails:

[sales@leadshineusa.com](mailto:sales@leadshineusa.com)