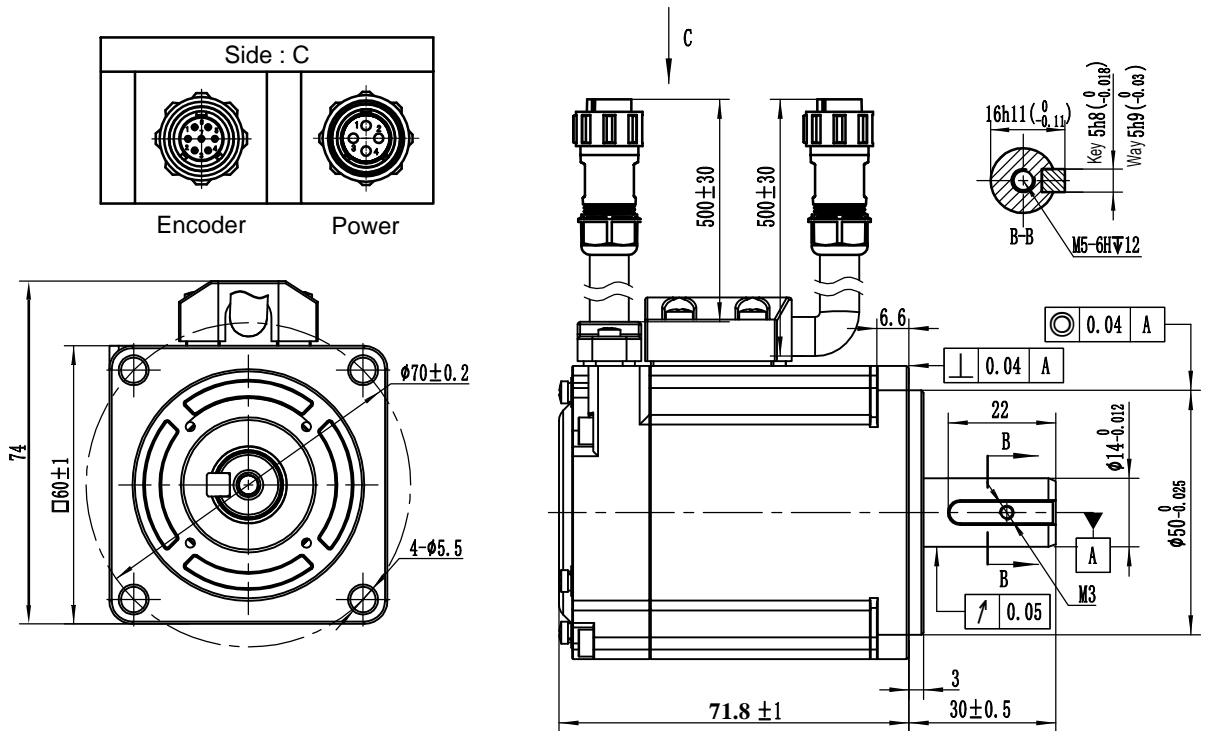
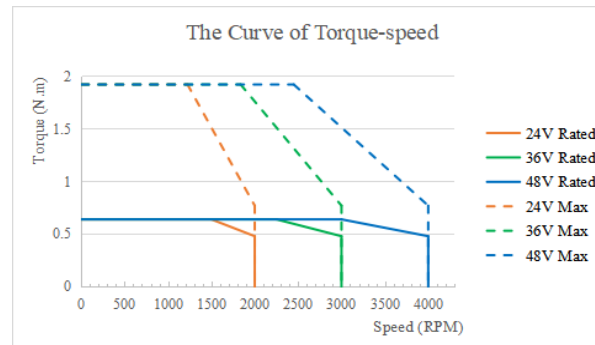


Rated voltage (VDC)	24-48
Rated power (W)	200
Rated torque (N.m)	0.64
Max torque (N.m)	1.92
Rated speed (rpm)	3000
Max speed (rpm)	4000
Rated current (A)	6
Max current (A)	18.6
Torque constant (N.m/A)	0.114
Back EMF constant (mV/rpm)	6.9
Inertia(kg*m ² *10 ⁻⁴)	0.29
Resistance(Ω)	0.47
Inductance(mH)	0.92
Motor poles	10
Encoder	17 bit
Max radial load (N)	245
Max axial load (N)	74
Protection level	IP65
Mass (kg)	1



Type	Power connector			
Pin	1	2	3	4
Defi	U	V	W	PE
Color	Red	Blue	Black	Yellow/green

Type	Encoder connector						
Pin	1	2	3	4	5	6	7
Defi	GND	5V	0V	SD+	SD-	BAT+	BAT-
Color	PE	White	Black	Blue	Purple	Red	Yellow



Leadshine Technology Co .Ltd

ELVM6020V48FH-M17-HD

200w servo motor with 17 bit absolute encoder
60mm frame size / 24-48V / no brake